

EDWARDS & CO

Use + Care Guide

Travel Bag

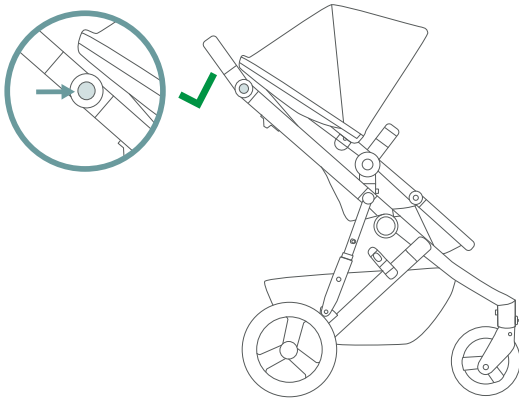


Contents

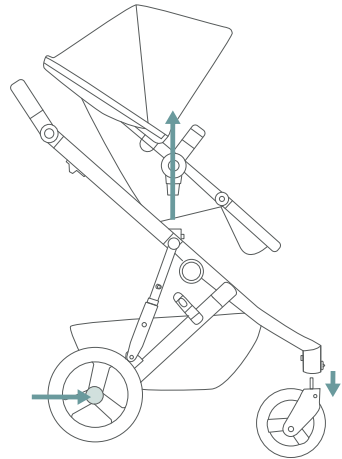
| | |
|---|-----------|
| Packing the Oscar frame and seat unit | 3 |
| Packing the Oscar frame and Carry Cot | 7 |
| Packing the Olive frame and single seat unit | 10 |
| Packing the Olive frame and Carry Cot | 13 |
| Storage and Cleaning | 16 |
| Warranty | 17 |

Packing the Oscar frame and seat unit

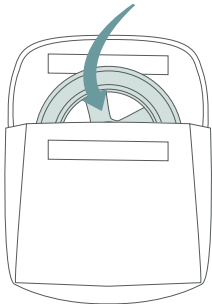
1. Adjust the stroller handle until it is at its highest position (this helps the Travel Bag stand upright when in use).



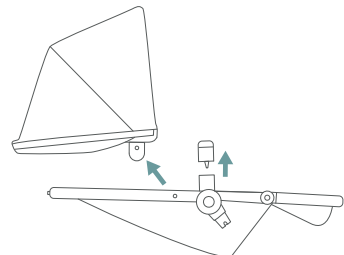
2. Remove the seat unit and all wheels from the stroller frame.



3. Place the rear and front wheels into the wheel bag provided with the Travel Bag.

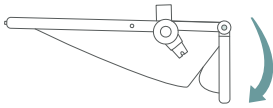


4. Remove the canopy and bumper bar from the seat unit.

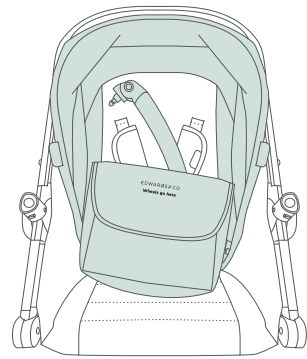


5. Adjust the footrest on the seat unit so it is at a right angle to the seat frame.

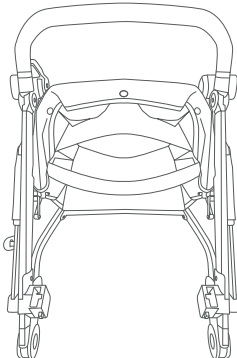
Note: We recommend doing up the harness in the seat unit to avoid the shoulder pads slipping off during travel.



6. Place the canopy, bumper bar and the bag containing the rear wheels inside the seat unit.

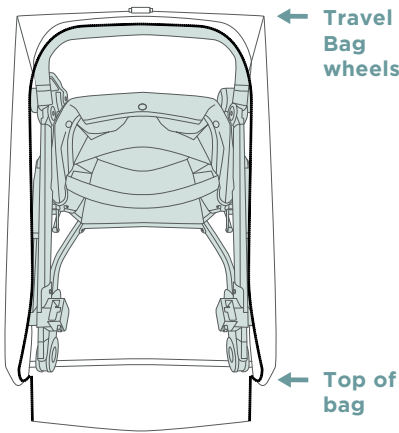


7. Fold the stroller frame, keeping the handle in its highest position.

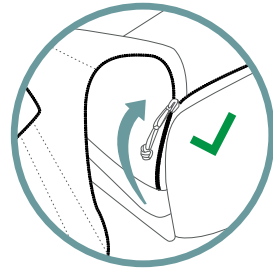


TRAVEL BAG - USE + CARE GUIDE

8. Place the stroller frame inside the bag with the stroller handle at the bottom of the bag (the end where the Travel Bag wheels are).



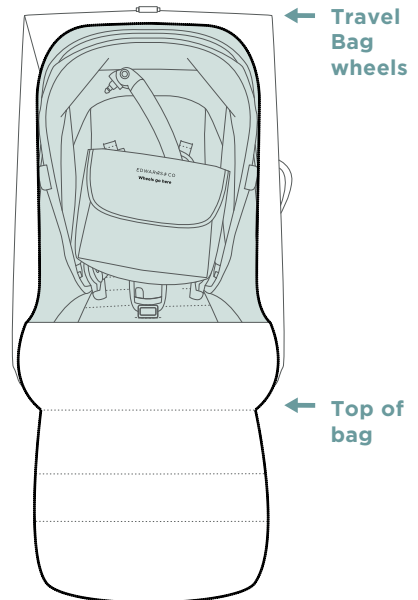
9. Zip up the fabric at the top of the bag just enough to cover the stroller frame's fold hinge.



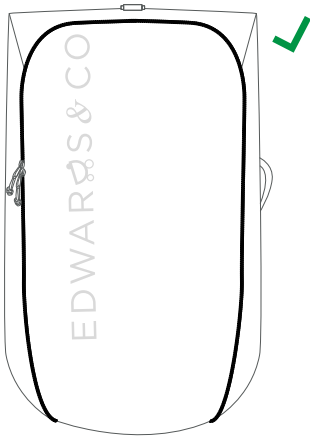
10. Place the seat unit (with canopy, bumper bar and wheel bag inside) face up on top of the folded stroller frame.

Note: The footrest should be at the top of the bag (where the zippers end).

Note: Do not connect the seat unit to the stroller frame, they should be separate units within the Travel Bag.



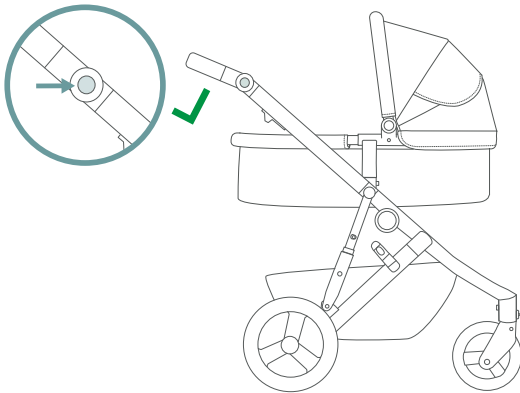
11. Zip your Travel Bag closed.



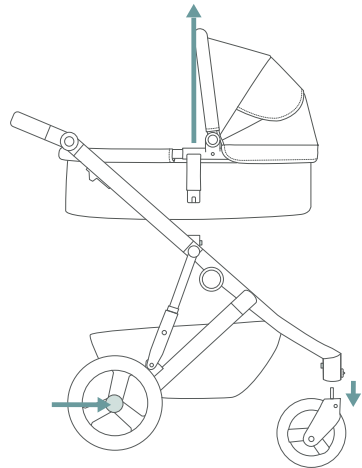
Packing the Oscar frame and Carry Cot

Note: To fit the Carry Cot in the Travel Bag with the stroller frame, your Carry Cot will need to be collapsed. See Carry Cot Use + Care Guide for instructions.

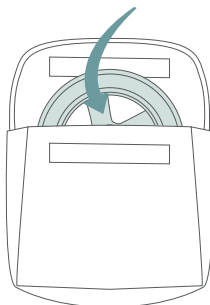
1. Adjust the stroller handle until it is at one step below parallel position (this helps the Carry Cot fit in position).



2. Remove Carry Cot and all wheels from the stroller frame.

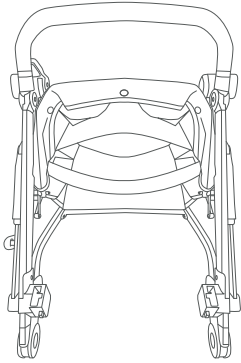


3. Place all the wheels into the wheel bag provided with the Travel Bag.

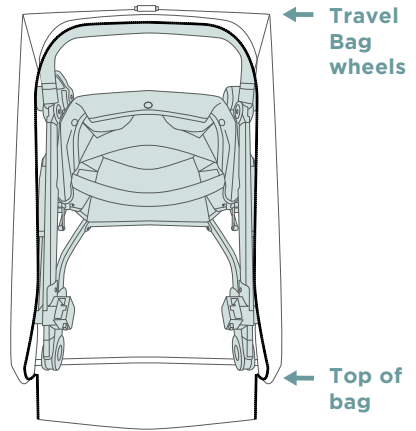


TRAVEL BAG - USE + CARE GUIDE

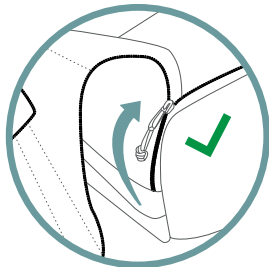
4. Fold the stroller frame, keeping the handle in its highest position.



5. Place the stroller frame inside the bag with the stroller handle at the bottom of the bag (the end where the travel bag wheels are).

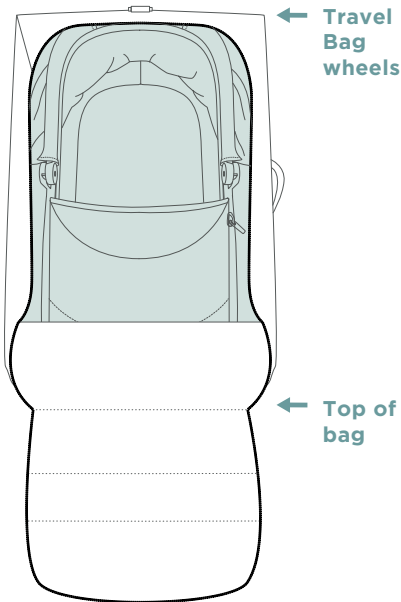


6. Zip up the fabric at the top of the bag just enough to cover the stroller frame's fold hinge.

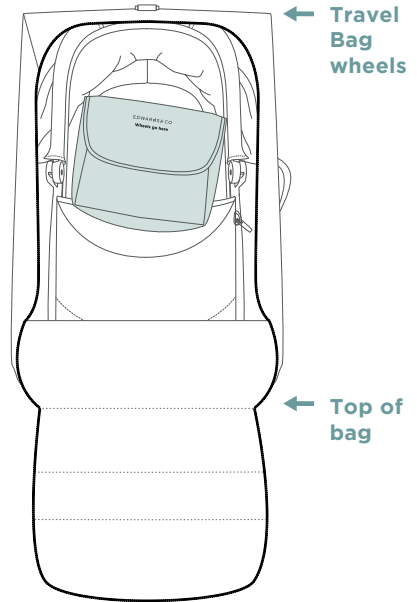


7. Position the collapsed Carry Cot on top of the folded stroller frame.

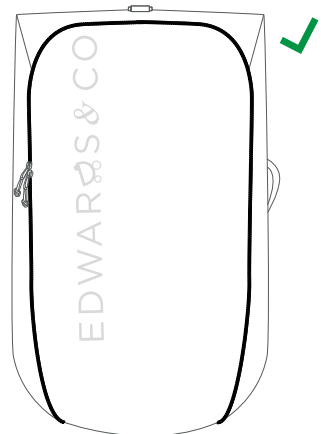
Note: The head end of the Carry Cot should be at the bottom of the Travel Bag, where the Travel Bag's wheels are.



8. Place the bag containing the rear wheels on top of the Carry Cot.

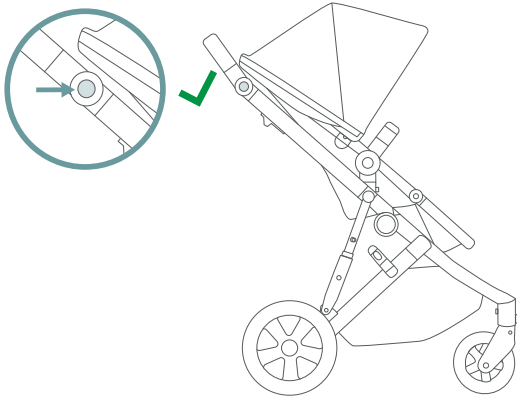


9. Zip your Travel Bag closed.

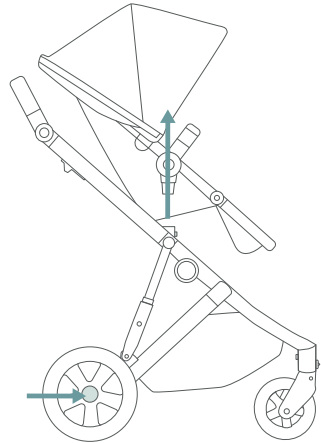


Packing the Olive frame and single seat unit

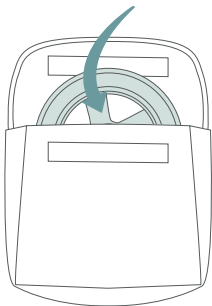
1. Adjust the stroller handle until it is at its highest position (this helps the Travel Bag stand upright when in use).



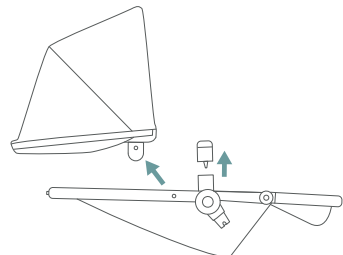
2. Remove the seat unit and rear wheels from the stroller frame. Leave the front wheels in place.



3. Place the rear wheels into the wheel bag provided with the Travel Bag.

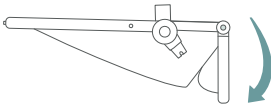


4. Remove the canopy and bumper bar from the seat unit.



5. Adjust the footrest on the seat unit so it is at a right angle to the seat frame.

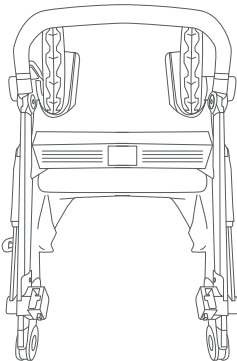
Note: We recommend doing up the harness in the seat unit to avoid the shoulder pads slipping off during travel.



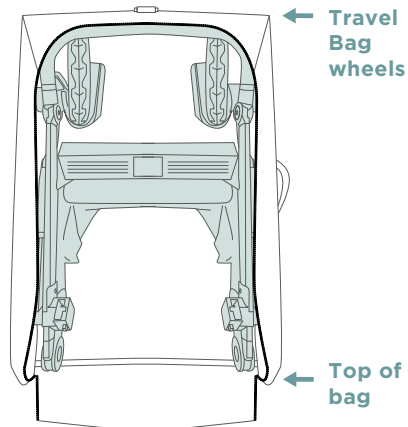
6. Place the canopy, bumper bar and the bag containing the rear wheels inside the seat unit.



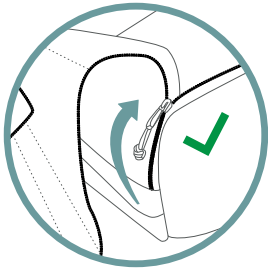
7. Fold the stroller frame, with front wheels still in place, keeping the handle in its highest position.



8. Place the stroller frame inside the bag with the stroller handle at the bottom of the bag (the end where the Travel Bag wheels are).

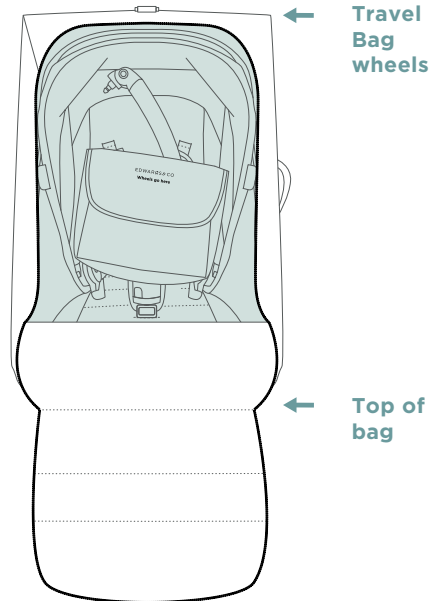


9. Zip up the fabric at the top of the bag just enough to cover the stroller frame's fold hinge.



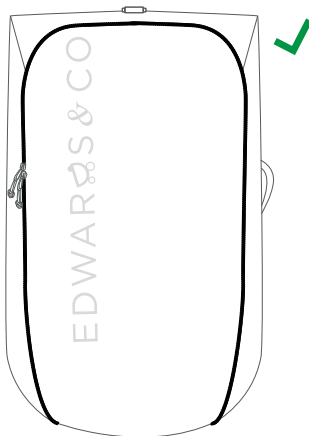
10. Place the seat unit (with canopy, bumper bar and wheel bag inside) face up on top of the folded stroller frame.

Note: The seat footrest should be at the top of the bag (where the zippers end).



Note: Do not connect the seat unit to the stroller frame, they should be separate units within the Travel Bag.

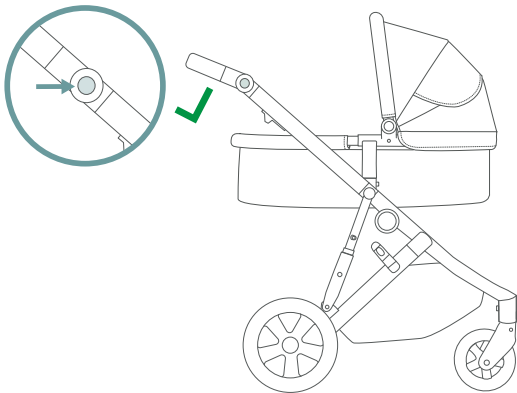
11. Zip your Travel Bag closed.



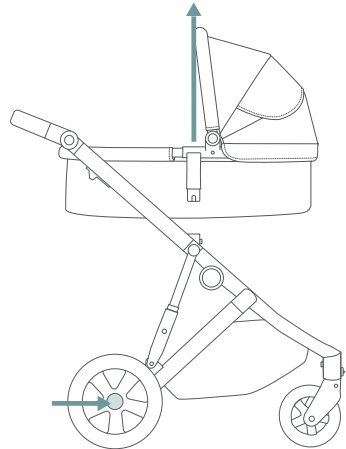
Packing the Olive frame and Carry Cot

Note: To fit the Carry Cot in the Travel Bag with the stroller frame, your Carry Cot will need to be collapsed. See Carry Cot Use + Care Guide for instructions.

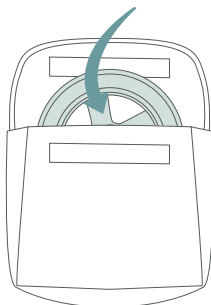
1. Adjust the stroller handle until it is at one step below parallel position (this helps the Carry Cot fit in position).



2. Remove Carry Cot and rear wheels from the stroller frame. Leave the front wheels in place.

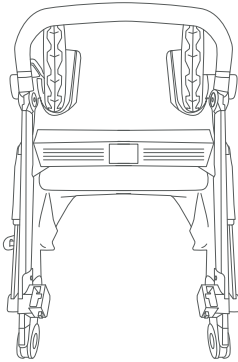


3. Place the rear wheels into the wheel bag provided with the Travel Bag.

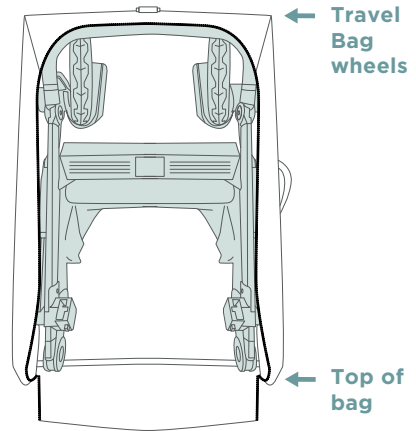


TRAVEL BAG - USE + CARE GUIDE

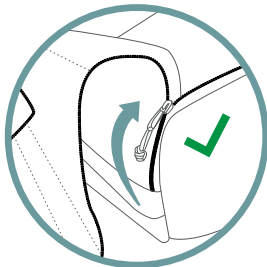
4. Fold the stroller frame, with front wheels still in place, keeping the handle in its highest position.



5. Place the stroller frame inside the bag with the stroller handle at the bottom of the bag (the end where the travel bag wheels are).

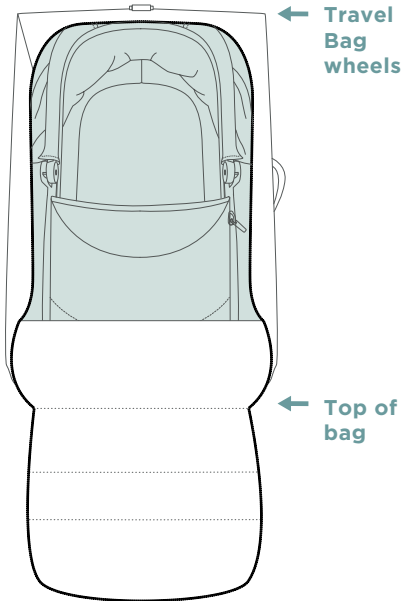


6. Zip up the fabric at the top of the bag just enough to cover the stroller frame's fold hinge.

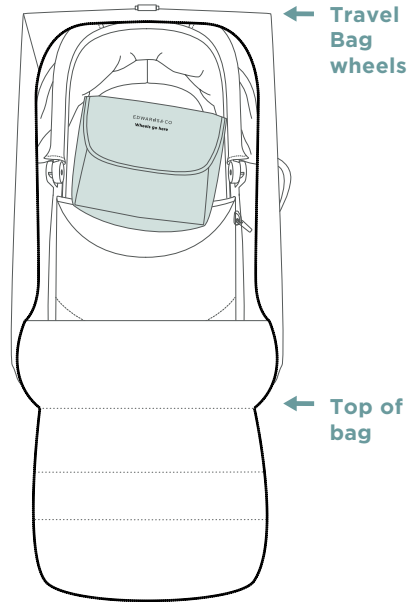


7. Position the collapsed Carry Cot on top of the folded stroller frame.

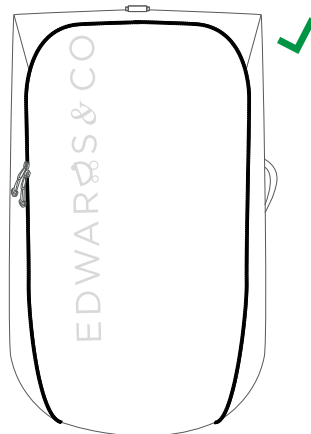
Note: The head end of the Carry Cot should be at the bottom of the Travel Bag, where the Travel Bag's wheels are.



8. Place the bag containing the rear wheels on top of the Carry Cot.



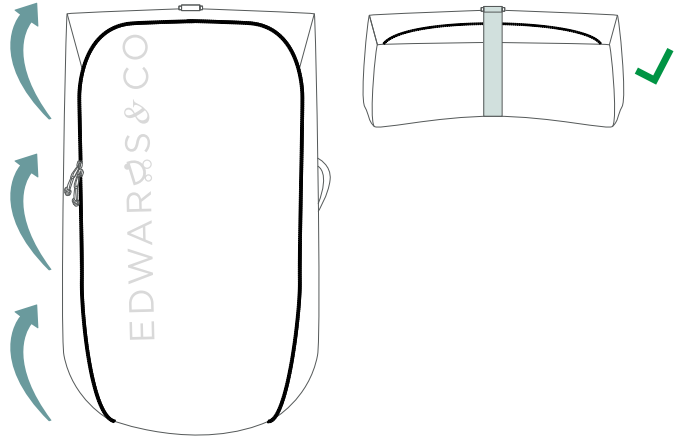
9. Zip your Travel Bag closed.



Storage and Cleaning

Storage

Roll your Travel Bag up and secure it with the Velcro strap.



Cleaning

Spot clean your Travel Bag with mild detergent (a solution of 1 part white vinegar and 10 parts water works well).

Dry in a flat position away from direct sunlight before use or storage.

Warranty

All Edwards & Co products are guaranteed for two years from the date of shipping against defects in material and workmanship.

If we determine that the product has a manufacturing fault, we will repair or replace it free of charge to you. The decision to repair or replace is solely at the discretion of Edwards & Co Proof of purchase must be provided.

The warranty is “return to base” and not a free in-home service. This means the customer is responsible for any inwards freight charge to return the product to an Edwards & Co representative for warranty or service.

Our warranty excludes claims resulting from misuse, abnormal use, overloading, general wear and tear, child outgrowing the product, not following instructions, transportation damage (including airline or freight damage), poorly maintained product, dropped goods, negligence, second-hand product, modified product, colour fading, over inflation, mould, damage to handle foam in use or fabric cuts and tears. Our warranty also does not cover tyre punctures or corrosion to frames or fasteners as a result of atmospheric or environmental conditions.

Any replacement will not give the right for the warranty period to be extended.

Edwards & Co does not cover warranty if the product has been purchased second hand or from an unauthorised reseller.

For the complete terms and conditions of our warranty, please visit our website — edwardsandco.nz/pages/warranty

Edwards & Co New Zealand

Unit 5
30 Foundry Road
Silverdale 0932
NEW ZEALAND

NZ: (09) 869 8950

hello@edwardsandcobaby.com

Edwards & Co Australia

C/O - G&S Logistics
Unit 1, 96-112 Gow Street
Padstow NSW 2211
AUSTRALIA

AU: (02) 9066 6702

Designed with love

Watch helpful
instructional videos



Come along
on the journey



Visit our comprehensive support centre online

edwardsandcobaby.zendesk.com/hc/en-us