

EDWARDS & CO

Use + Care Guide

Oscar M2

EC101-2



NZ AU



IMPORTANT

- Keep these instructions for future reference.
- Always follow the manufacturer's instructions.
- Read all instructions carefully before assembly and use of this stroller.
- Check that all items are present and undamaged.
- The correct use and maintenance of this product is essential.

Suitable for children from 6 months to 22kg

(Suitable from newborn to 22kg with the Newborn Insert Cushion accessory)

Independently safety tested for compliance with the Australian and New Zealand Standard AS/NZS 2088:2013

Welcome

Thank you for choosing Edwards & Co;
your family is now part of ours.

Oscar has been around since we started in 2014. Our reliable best-seller has won plenty of awards over the years for design and functionality, and more importantly, a proven winner with parents.

Oscar is incredibly lightweight and easy to fold and manoeuvre. We designed Oscar to meet the needs of real-life parents with features that don't just look good on paper but make your life easier. So, whether you live in the city or enjoy the pace of the country, Oscar is your every day, ready for adventure pram.

To make sure you get the most out of Oscar, please refer to this Use & Care guide when using different parts of your stroller and accessories.

Because Oscar will be your stroller for years to come, we hope to hear from you along the way, so feel free to contact us via any of the channels below if you'd like to get in touch.

We're so glad you came along for the ride.

**From the team
at Edwards & Co.**



Contents

Welcome	3
Warnings: Australia/New Zealand	6
General warnings and safety precautions	7
What's in the box	9
Oscar stroller components	10
Using the Oscar stroller	11
Attaching the front wheel	12
Attaching the rear wheels	12
Removing the front wheel	13
Removing the rear wheels	13
Attaching the seat unit	14
Removing the seat unit	15
Attaching the canopy	16
Removing the canopy	17
Attaching the bumper bar	18
Removing the bumper bar	18
Unfolding the stroller	19
Folding the stroller	20
Reclining the seat	22
Attaching the Carry Cot	23
Removing the Carry Cot	23
Attaching the Avery Capsule	25
Removing the Avery Capsule	25

Using the Capsule Adapters	27
Attaching the Newborn Insert Cushion	29
Removing the Newborn Insert Cushion	31
Adjusting the footrest	32
Adjusting the handlebar	32
Using the harness buckle	33
Adjusting the shoulder strap height	34
Adjusting the harness straps	35
Using the parking brake	36
Using the front wheel swivel lock	37
Carrying the stroller	38
How to care for and maintain your stroller	39
How to service your stroller	41
Inspect your stroller at least once a month	41
Service your stroller at least once every 6 months	42
WARRANTY	43

Australia/New Zealand

WARNING:



TO AVOID INJURY OR DEATH

ALWAYS APPLY THE BRAKES WHEN THE STROLLER IS STATIONARY.

DO NOT LEAVE CHILDREN UNATTENDED.

SECURE THE CHILD IN THE HARNESS AT ALL TIMES.

DO NOT CARRY EXTRA CHILDREN OR BAGS ON THIS STROLLER.

MAKE SURE CHILDREN ARE CLEAR OF ANY MOVING PARTS IF YOU ADJUST THIS STROLLER.

USE THE HARNESS AT ALL TIMES.

USE THE STRAP TO STOP THE STROLLER ROLLING AWAY.

DO NOT USE THE SEAT UNIT WITH ANY OTHER MODELS OF STROLLER.

DO NOT USE THE BASSINET ONCE THE CHILD CAN SIT UP UNAIDED.

General warnings and safety precautions



TO AVOID INJURY OR DEATH

Maximum weight limits

Child using this stroller in the main seat unit: **22kg**

Child using this stroller with the capsule attachment: **13kg**

Child using this stroller with the Carry Cot/bassinet attachment: **9kg**

Capacity of the storage basket: **10kg**

Capacity of the seat pocket: **1kg**

Minimum age limits

The seat is suitable for a child from 6 months.

Newborns must use the seat with the Newborn Insert Cushion accessory.

Releasing a child quickly in an emergency

Make sure the buckle is easy to access. It is important that your child can be released quickly in an emergency.

Keeping fingers away from moving parts

Take care of fingers and **NEVER** let a child fold or unfold the stroller. Fingers may jam in moving parts when folding or unfolding the stroller.

Do not use the stroller as a substitute baby cot or bed

The stroller is only designed to transport children safely. The stroller is not a baby cot or bed.

Using the harness safely

To avoid serious injury, always use the safety harness when your child is in the stroller. Always adjust the straps to fit firmly to your child's body size. A loose restraint or harness is **DANGEROUS**.

Never leave a harness connected when not fitted to a child in the stroller. The harness can form loops which may be a strangulation hazard.



Keeping the stroller stable

Do not place or attach weight on the handle or side of the stroller. Doing so may make the stroller's frame unstable. Use only approved Edwards & Co accessories.

Using the stroller on surfaces

Do not use this stroller on escalators, or on moving or mechanical conveyer belts. Always take your child out of the stroller when on stairs.

This stroller is designed for use on flat and gentle sloping surfaces. Take care on higher sloping or uneven surfaces. These surfaces increase the risk of the stroller tipping.

The brakes must be applied when the stroller is not moving.

Using the stroller on sand and near or in salt water

Store your stroller in a sheltered dry place and avoid beach use where possible. Salt water or excessive moisture will cause corrosion on the fastenings and moving parts of this stroller. **The manufacturer's warranty does not cover corrosion caused by environmental factors such as salt water or sand.**

Never rinse the frame, wheels or housings with water. Water and/or debris can interfere with the internal mechanisms, including the brakes and damage your stroller.

Keeping the stroller away from fire and extreme heat

Do not store the stroller in areas where high temperatures may occur. Examples are a roof space, or beside shed walls that can get hot.

Approved accessories

Only use accessories approved by Edwards & Co.

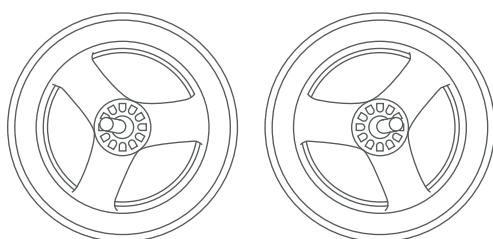
Only use a mattress (in the Carry Cot) supplied by Edwards & Co.

It is unsafe to use accessories other than those approved by Edwards & Co.

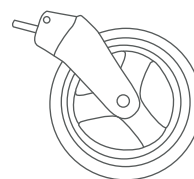
What's in the box

Note: Check that all items are present and undamaged.

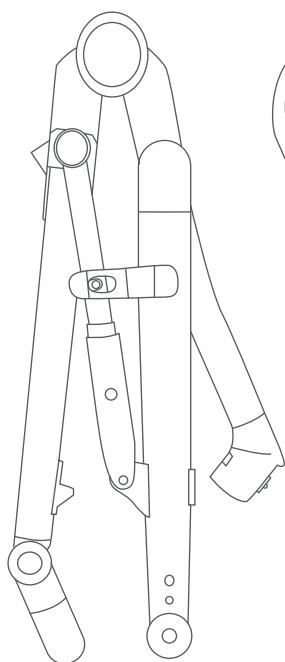
Use + Care Guide
(this instruction
manual)



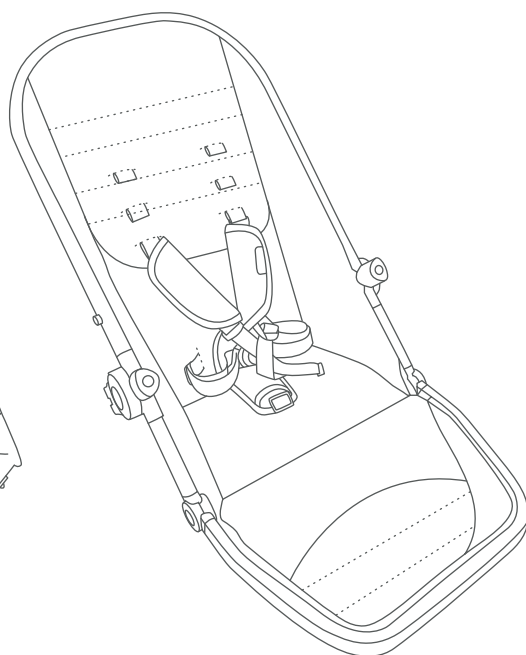
2 x Rear Wheels



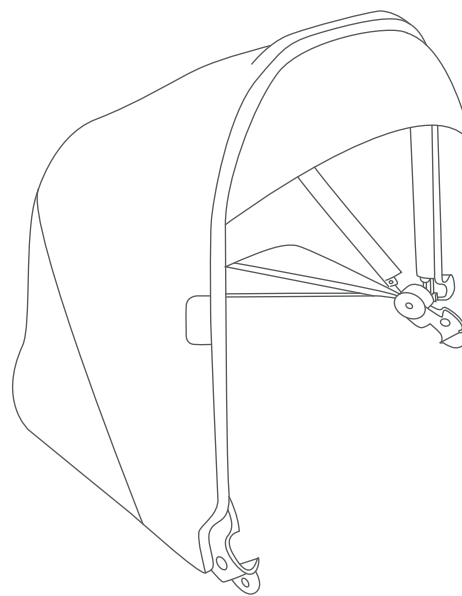
1 x Front Wheel



1 x Stroller Frame



1 x Seat Unit

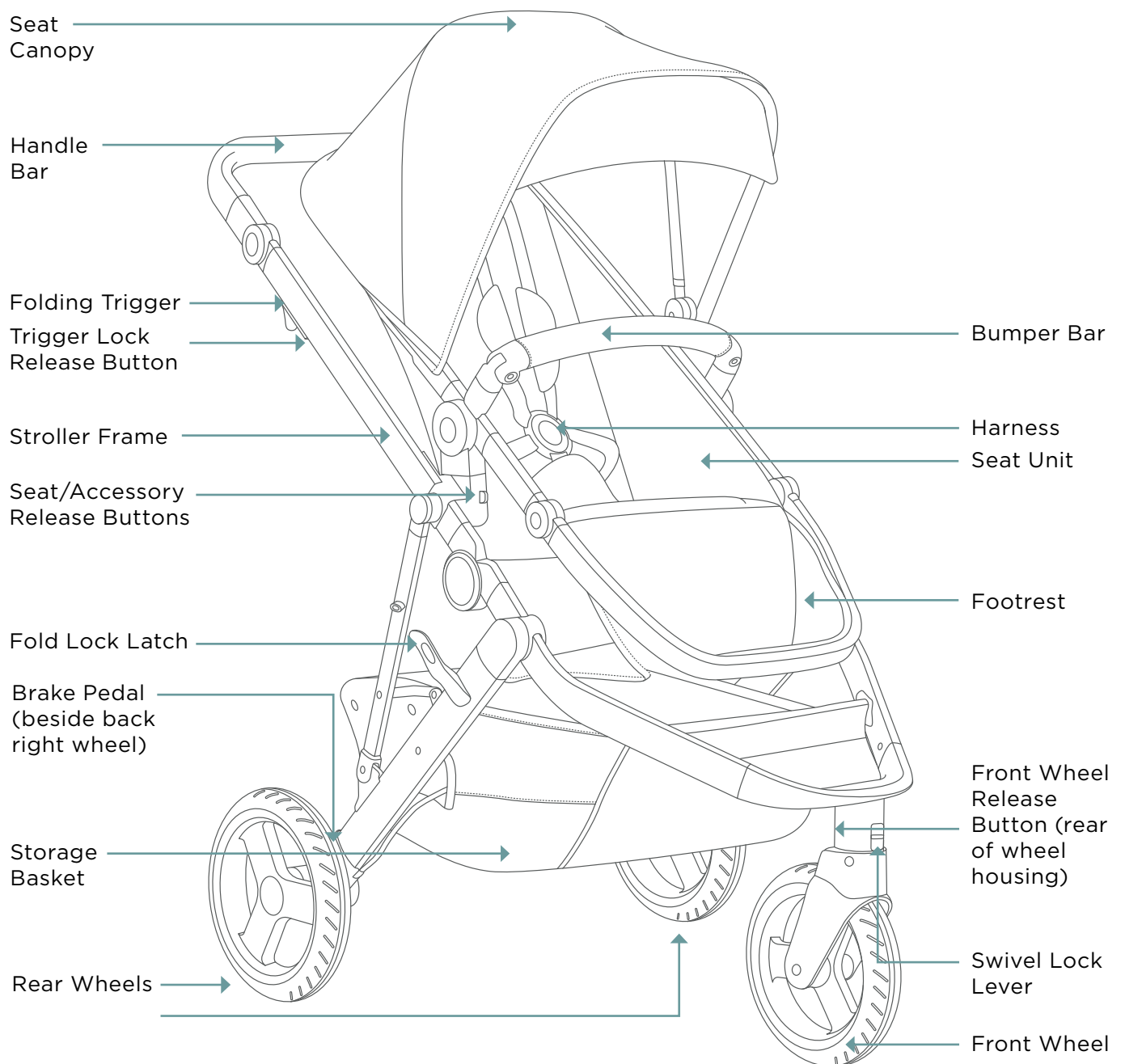


1 x Canopy



1 x Bumper Bar


Oscar stroller components

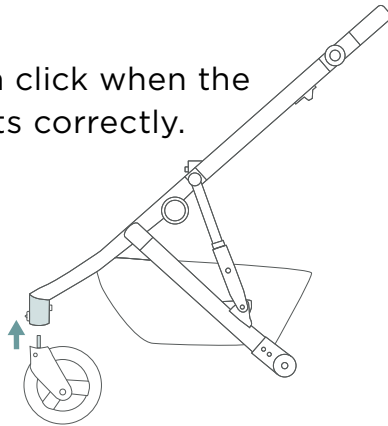
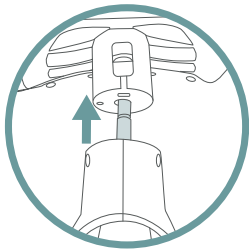


Using the Oscar Stroller

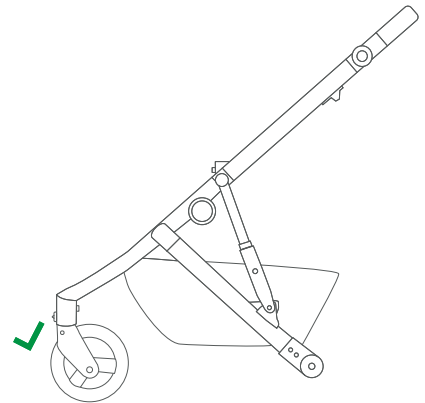
Attaching the front wheel

1. Locate the metal pin on the front wheel. Insert this into the front wheel housing on the stroller frame.

 You will hear a click when the wheel connects correctly.

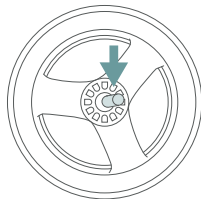


2. Once installed, pull the wheel to confirm a secure connection.




Attaching the rear wheels

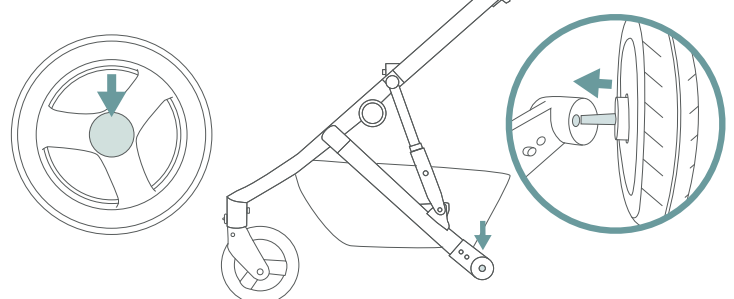
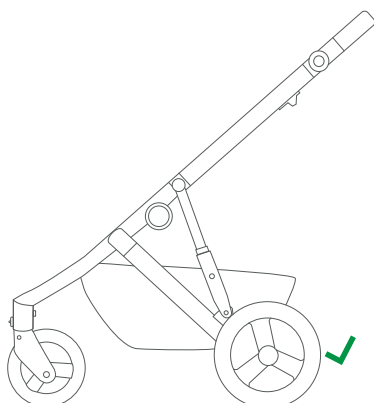
1. Locate the metal pin on the rear wheel.



2. Press the wheel release button in the centre of the outer side of the wheel. At the same time, insert the metal pin into the rear wheel housing on the stroller axle.

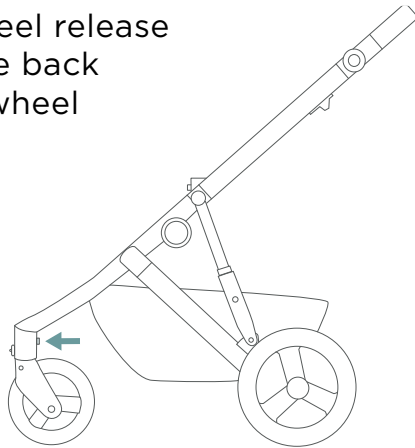
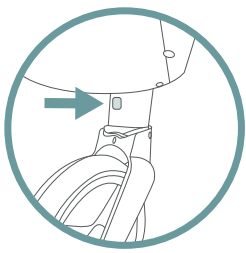
 You will hear a click when the wheel connects correctly.

3. Once installed, pull the wheel to confirm a secure connection.

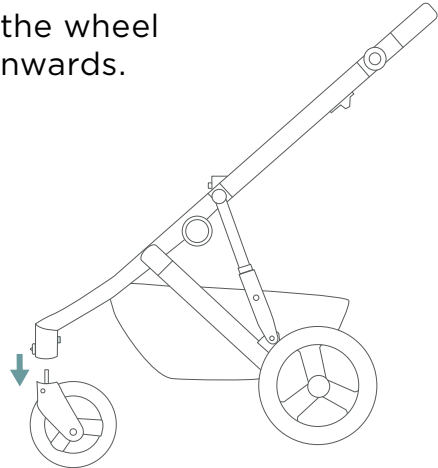


Removing the front wheel

- 1.** Press the wheel release button on the back of the front wheel housing.

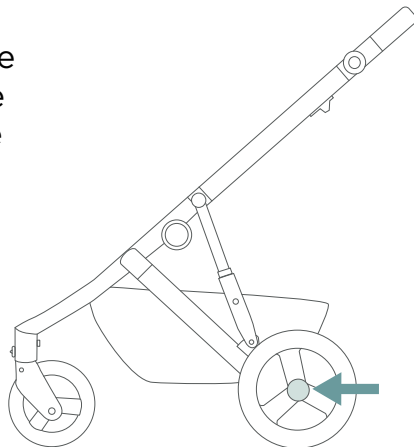


- 2.** Pull the wheel downwards.

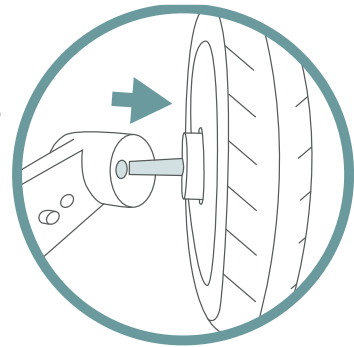


Removing the rear wheels

- 1.** Press the wheel release button in the centre of the rear wheel.

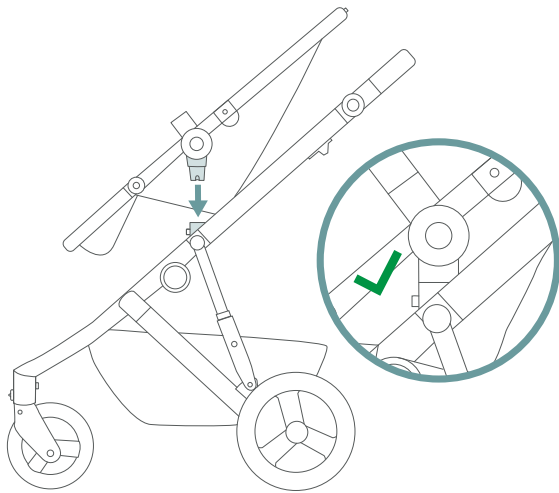


- 2.** Pull the wheel outwards.




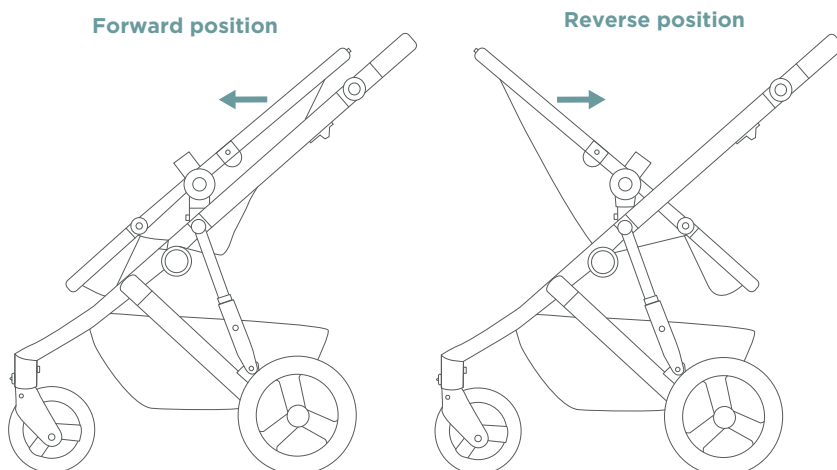
Attaching the seat unit

1. Insert the connectors on the seat unit into the connection points on the stroller's frame.



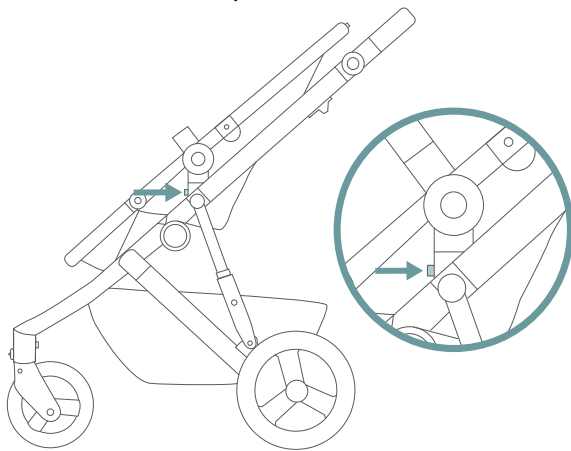
2. Attach the seat in the forward position or in the reverse position (with baby looking at you). Pull the seat unit upwards to check it is secure.

 You will hear a click when the seat unit connects correctly.

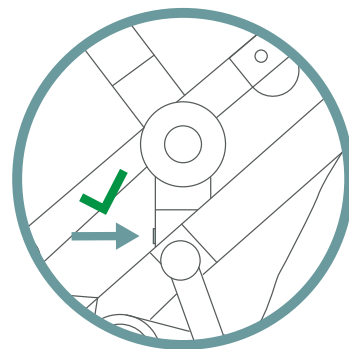


Removing the seat unit

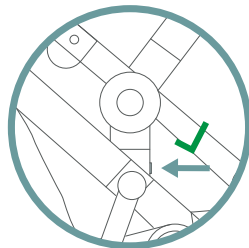
1. Locate the two seat release buttons on either side of the stroller's frame, just below the seat unit connection points.



2. Push in one seat release button until it stays in place.



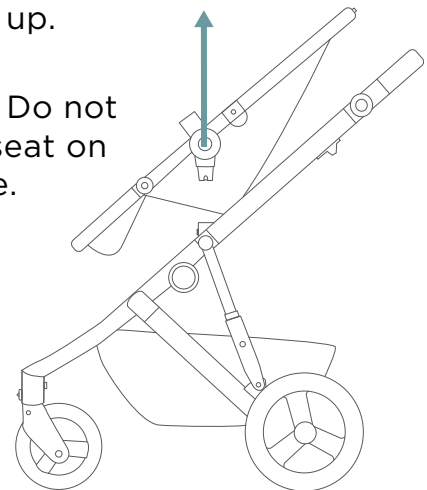
3. Push in the seat release button on the other side until it stays in place.



Note: The buttons do not need to be pressed simultaneously.

4. Lift the seat straight up.

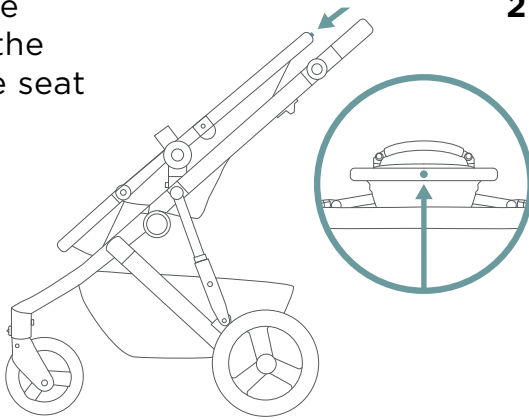
Note: Do not lift the seat on an angle.



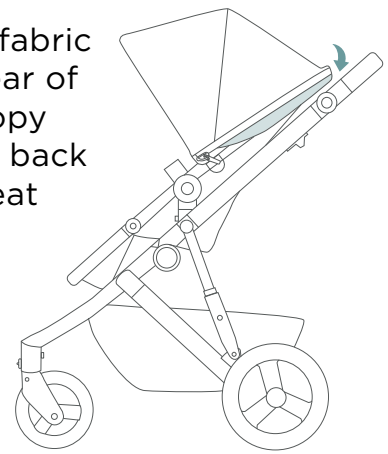
Attaching the canopy

Recommendation: When used in conjunction with the canopy, the Oscar M Sun Cover (sold separately) will further protect your child and your stroller from harmful sun damage.

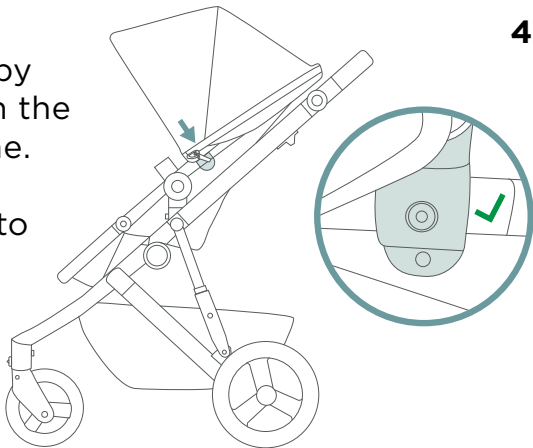
1. Locate the dome at the top of the seat frame.



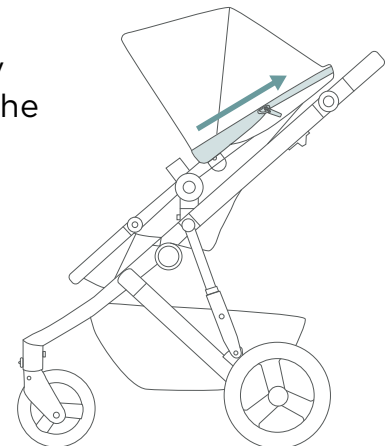
2. Slip the fabric at the rear of the canopy over the back of the seat frame.



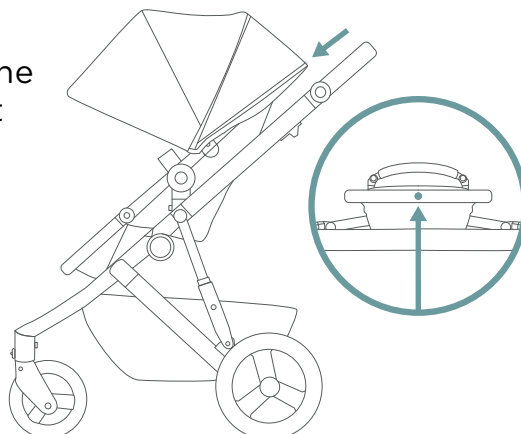
3. Position the canopy hinges on the seat frame. Snap the hinges into place.



4. Unzip and fully extend the canopy.

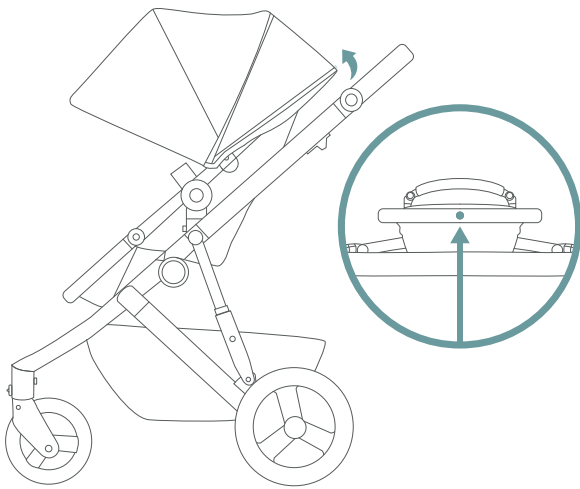


5. Locate the dome under the canopy fabric. Connect to the dome on the top of the seat frame. This will ensure the canopy stays in position.

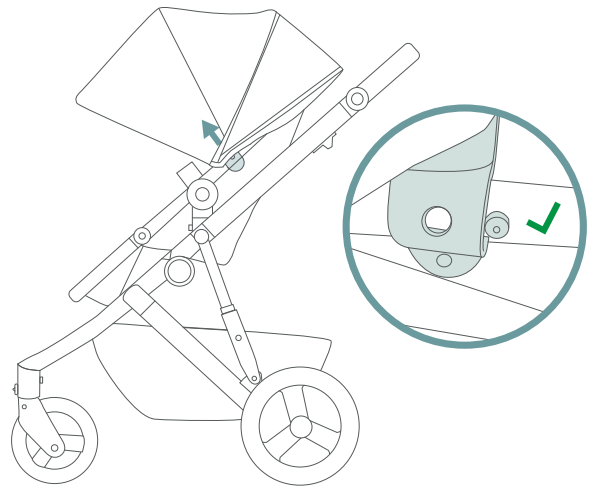


Removing the canopy

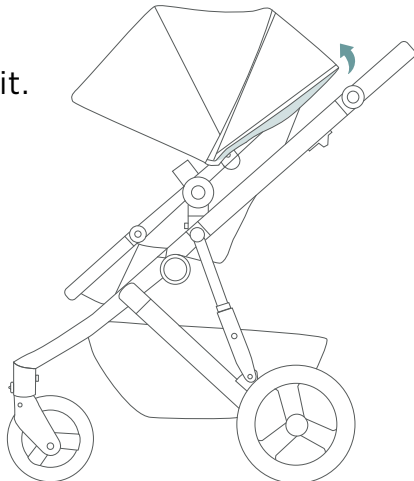
1. Locate the dome connecting the canopy to the seat frame. Disconnect this.



2. Disconnect the hinges from the seat frame.



3. Slide the canopy off the seat unit.

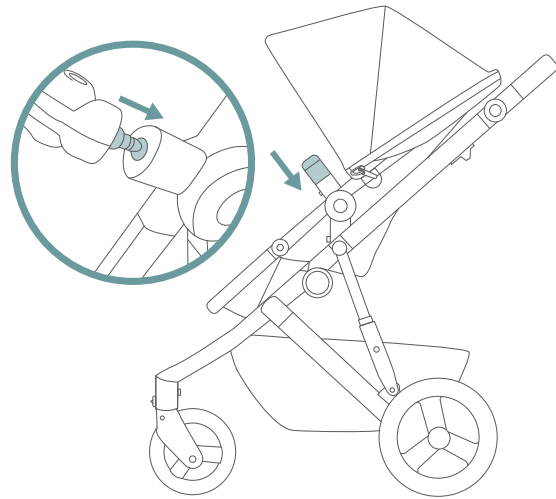


Attaching the bumper bar

1. Locate the metal pins on either end of the bumper bar.



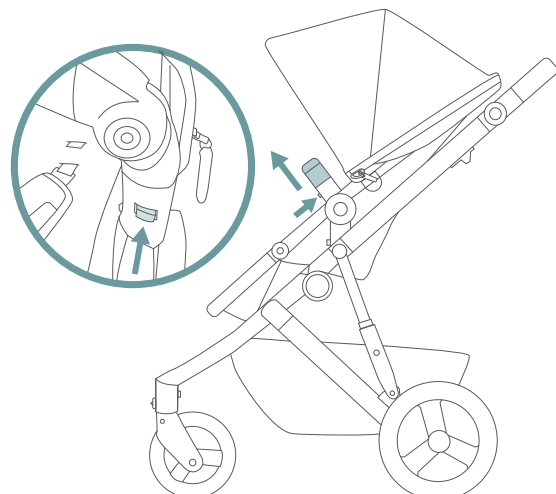
2. Insert the metal pins into the connection points on either side of the seat unit until they click into place. Pull the bumper bar to ensure it is securely connected.



- ✓ You will hear a click when the pins connect securely within the housing.

Removing the bumper bar

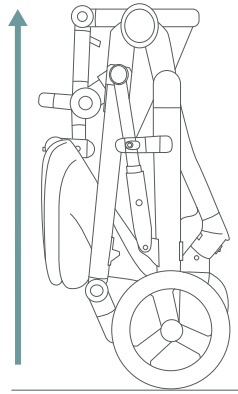
1. Locate the black release buttons below the bumper bar's two connection points.
2. Press and hold one button while pulling the end of the bumper bar out. Repeat at the other end.



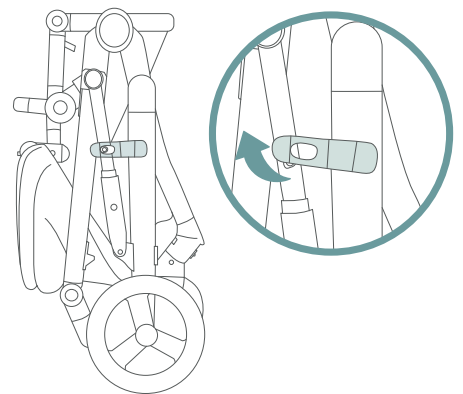
Unfolding the stroller

To avoid damage to the handlebar lining, take care when placing the handlebar on the ground.

1. Stand the folded stroller upright.

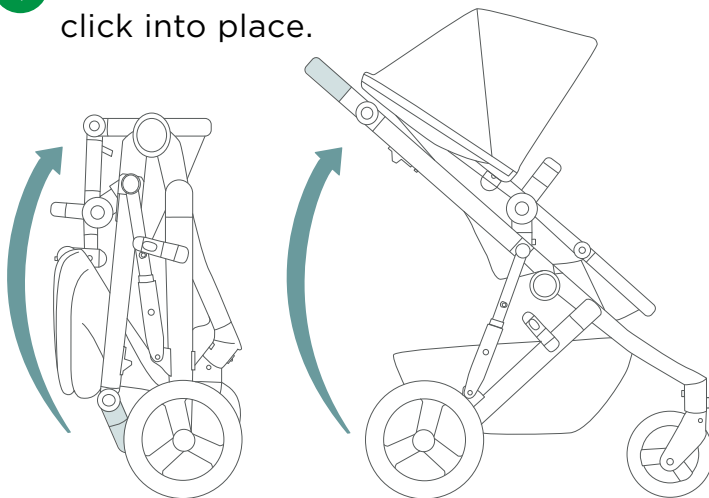


2. Locate the fold lock latch on the right side of the stroller frame. Lift this away from the catch.



3. Slowly pull the stroller's handle upwards until the central fold joint locks into place.

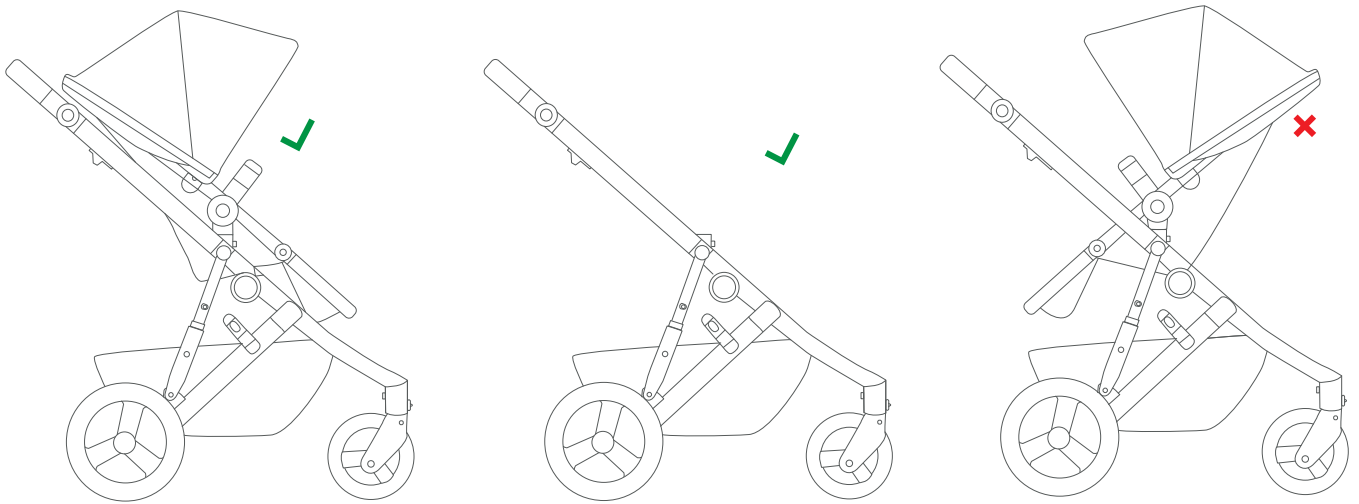
- ✓ You will feel the stroller click into place.



Folding the stroller

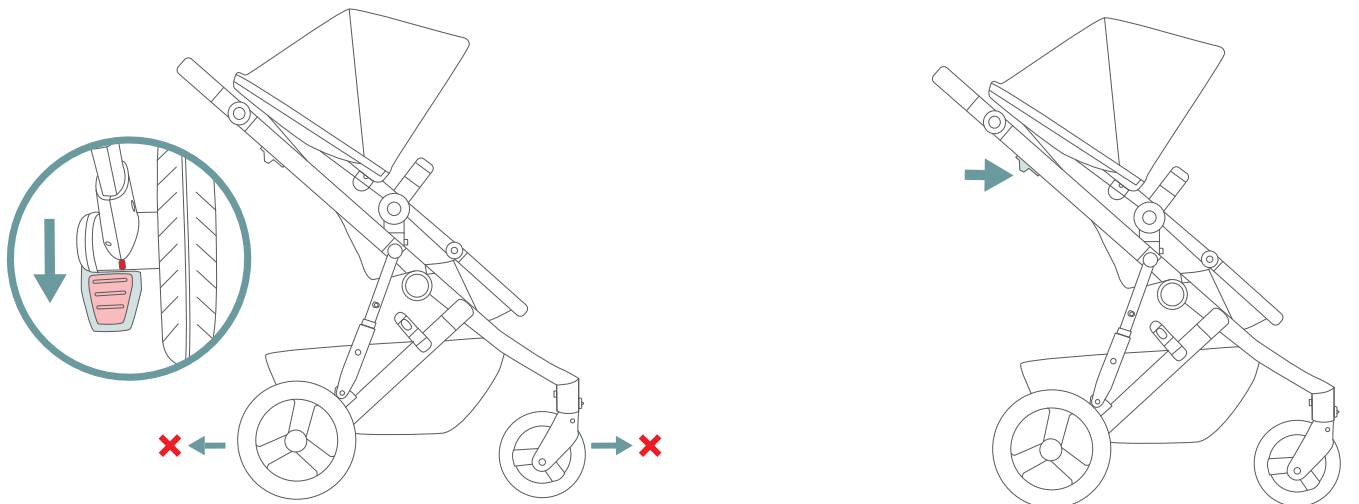
Recommendation: To avoid damage to the handlebar lining, take care when placing the handlebar on the ground.

Note: To fold the stroller, ensure the seat is in the forward facing position (with baby looking away from you), or has been removed from the stroller frame. The stroller cannot be folded with the seat unit in the reverse position.



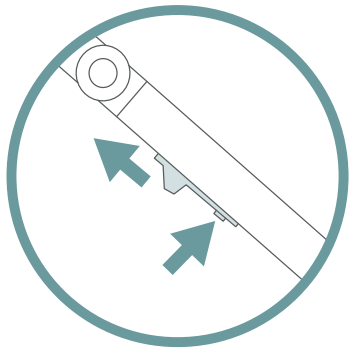
1. Engage the brake by pushing down the red brake pedal. Ensure the brake has locked both rear wheels. Push the stroller a little to ensure the brake is engaged and working.

2. Locate the two fold triggers - one on each side of the stroller frame. Locate the small black button under the trigger on the right side.



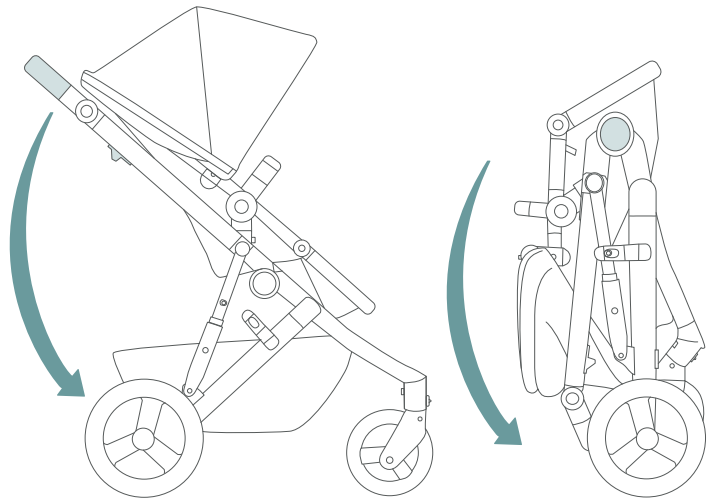
3. Press and hold the black button, while sliding both fold triggers up the frame towards you.

Note - right trigger: The small black button locks the right fold trigger. It is necessary to press this to enable the trigger to slide.



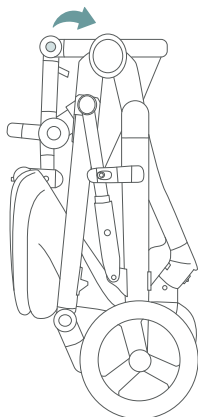
4. Push the handlebar towards the floor until the fold lock latch on the right side of the stroller's frame locks into place.

✓ When the fold lock latch is in place, the stroller will not unfold when you carry it.



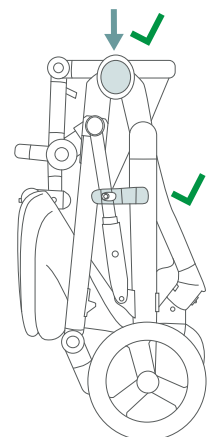
Note - For a more compact fold with the seat unit in place, position the footrest at a right angle.

Locate the two buttons on the outer sides of the footrest hinge. Press buttons simultaneously to adjust the footrest angle.



Carrying the stroller - We recommend lifting the stroller by grabbing the area near the fold hinge.

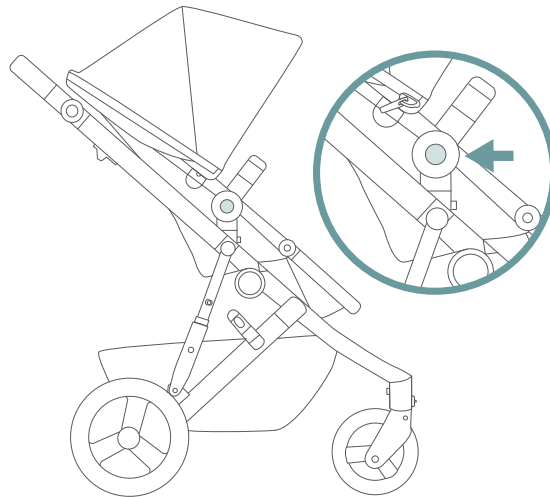
ALWAYS make sure the fold lock latch is secured before lifting or carrying the stroller.



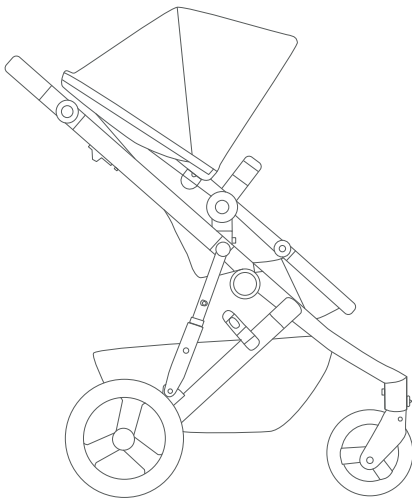
Note - If the fold lock latch does not engage, check the front wheels have not jammed. When folding, the front wheels should rotate away from the stroller for a proper fit. To correct it, unfold the stroller and fold again ensuring the wheels rotate as described.

Reclining the seat

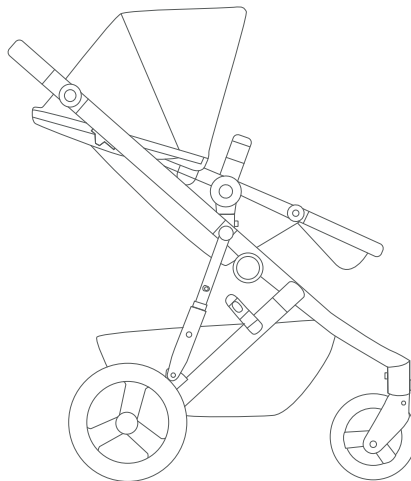
1. Locate the circular buttons at the connection points on each side of the seat unit.



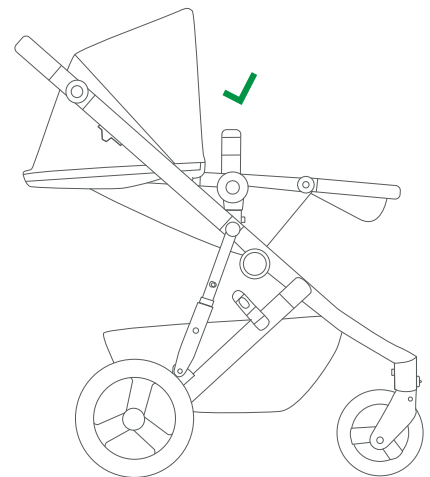
2. Press both of these buttons in simultaneously to raise or lower the seat to the desired position. The seat can be set at one of three heights: Upright, Reclined, and Horizontal.



Upright
6 months +



Reclined
6 months +
(sleeping position)



Horizontal
Important - newborn:

when using the seat in this position for a newborn, the Newborn Insert Cushion must be used. See “Using the Newborn Insert Cushion”.

Attaching the Carry Cot

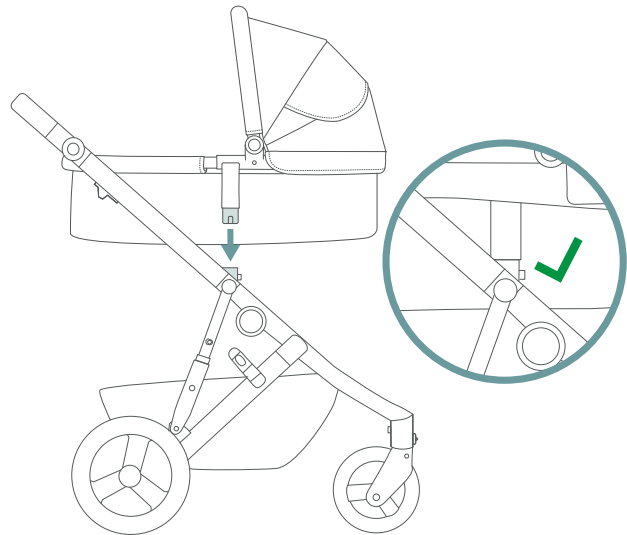
(sold separately)

1. Insert the Carry Cot's connectors into the connection points on the stroller frame. Pull the Carry Cot upwards to check it is secure.

✓ You will hear a click when the Carry Cot connects correctly.

Recommendation:

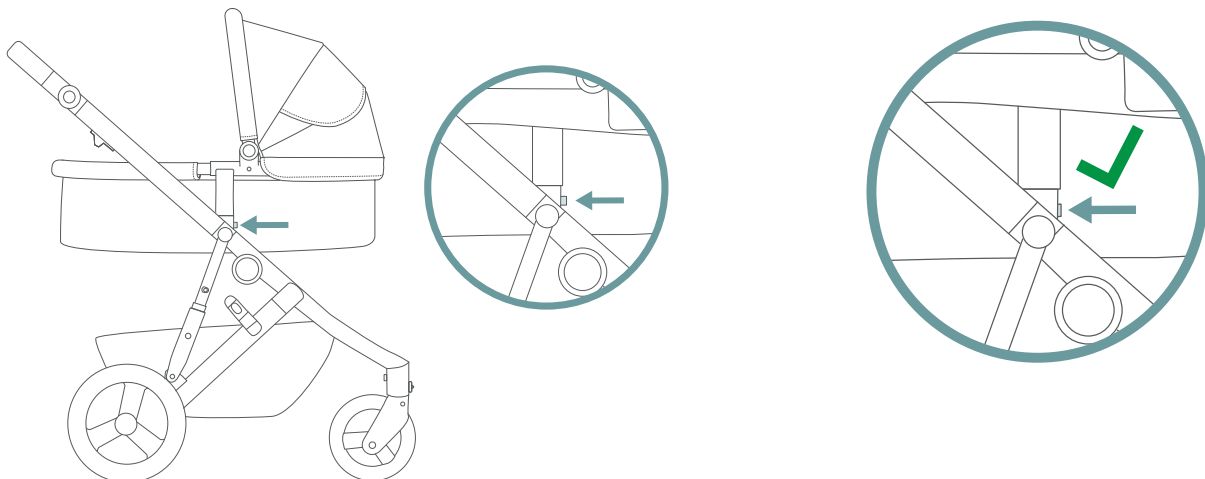
Install the Carry Cot in the reverse position (with your baby looking at you).



Removing the Carry Cot

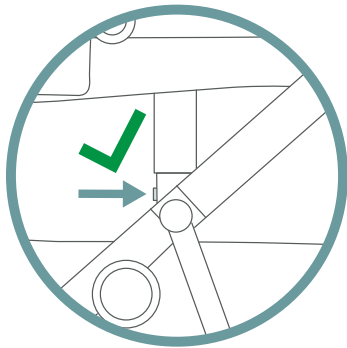
1. Locate the two Carry Cot release buttons on the stroller frame, just below the Carry Cot's connection points.

2. Push in one release button until it stays in place.



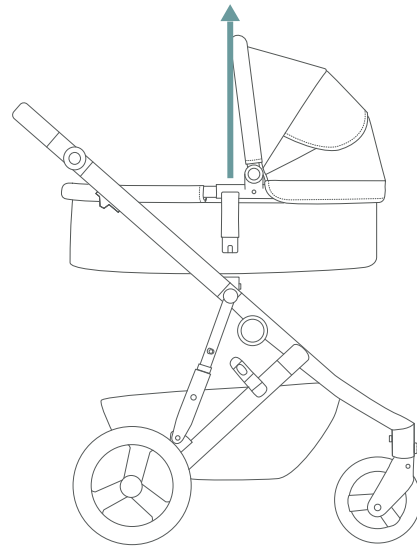
3. Push in the release button on the other side until it stays in place.

Note: The buttons do not need to be pressed simultaneously.



4. Lift the Carry Cot straight up.

Note: Do not lift the Carry Cot on an angle.



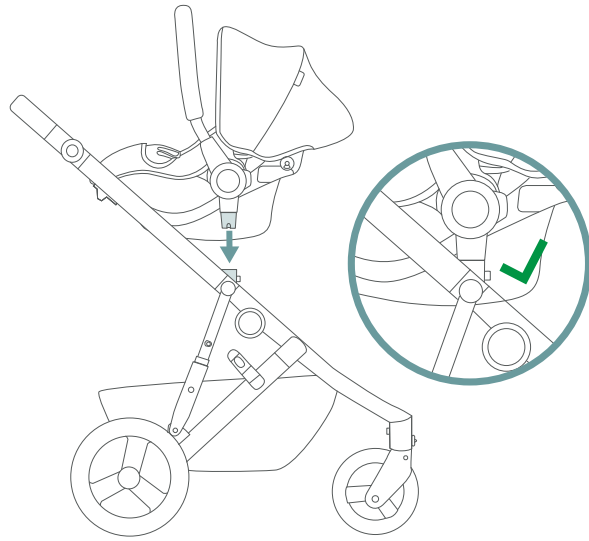
Attaching the Avery Capsule

(sold separately)

Recommendation: Attach the Avery Capsule in the reverse position (with your baby looking at you).

1. Insert the Avery Capsule's connectors into the connection points on the stroller frame. Pull the Avery Capsule upwards to check it is secure.

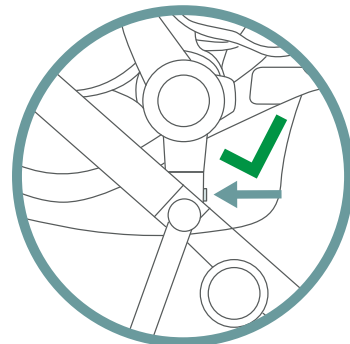
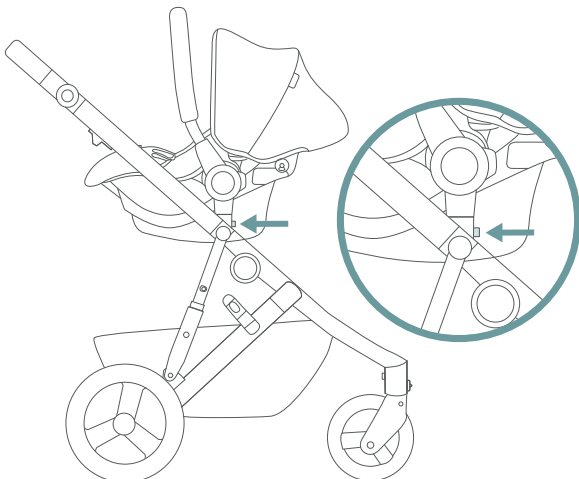
✓ You will hear a click when the Avery Capsule connects correctly.



Removing the Avery Capsule

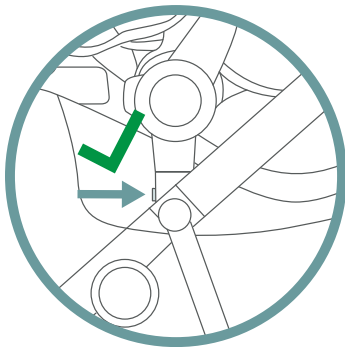
1. Locate the two capsule release buttons on the stroller frame, just below the capsule's connection points.

2. Push in one release button until it stays in place.



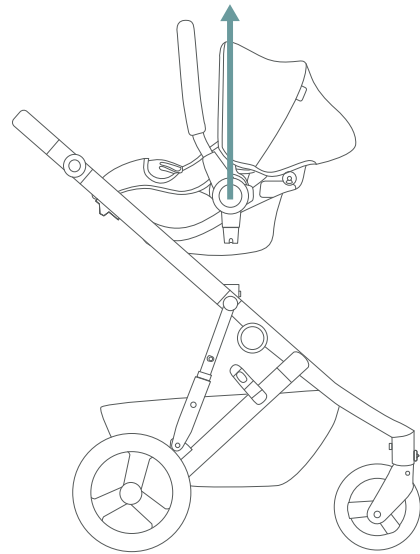
3. Push in the release button on the other side until it stays in place.

Note: The buttons do not need to be pressed simultaneously.



4. Lift the capsule straight up.

Note: Do not lift the capsule on an angle.



Using the Capsule Adapters

(sold separately)

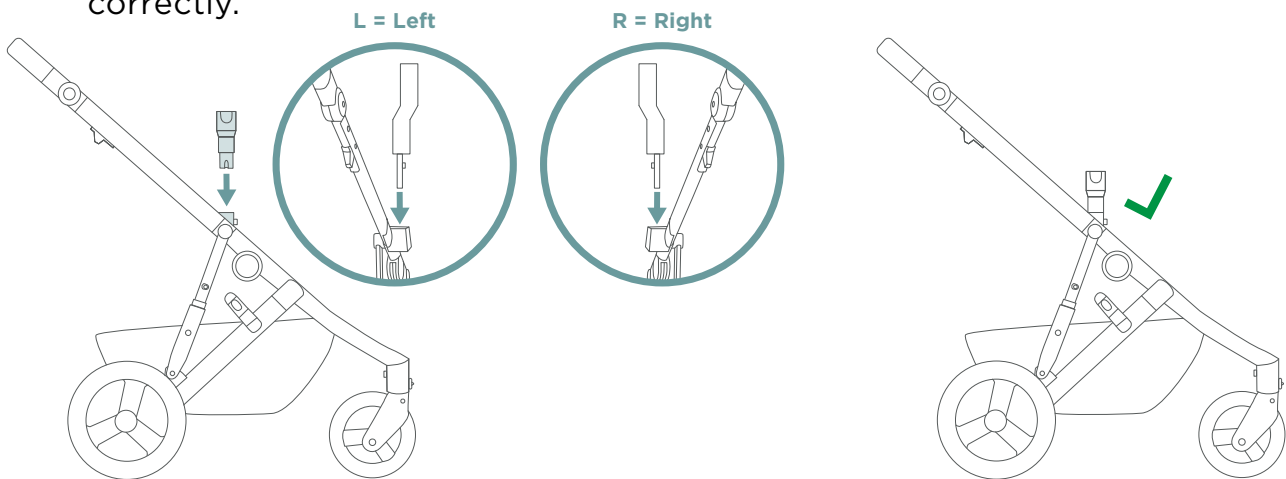
Note: The stroller can be folded with the Capsule Adapters connected.

The Capsule Adapters are required when using another brand's capsule with the Oscar M2 stroller. These adapters are not required when using the Avery Capsule. Please see your Capsule Adapter instruction manual to confirm the capsule models that are approved for use with your Oscar M2 stroller.

Installing the Capsule Adapters

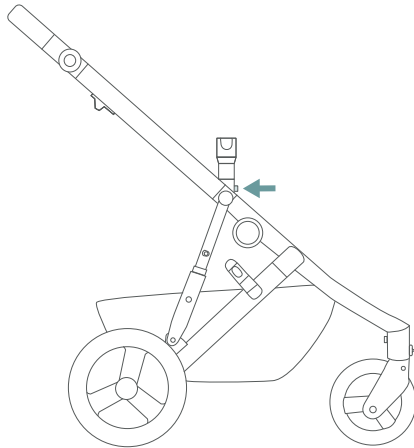
1. Insert the Capsule Adapters into the connection points on the stroller frame. (L = Left; R = Right)
2. Pull each adapter upwards to check they are both secure.

✓ You will hear a click when the adapters connect and lock correctly.

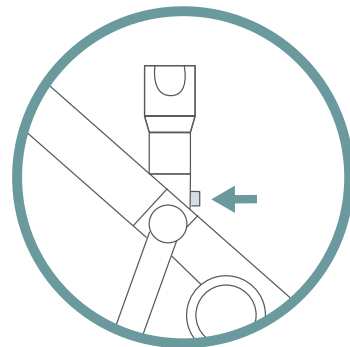


Removing the Capsule Adapters

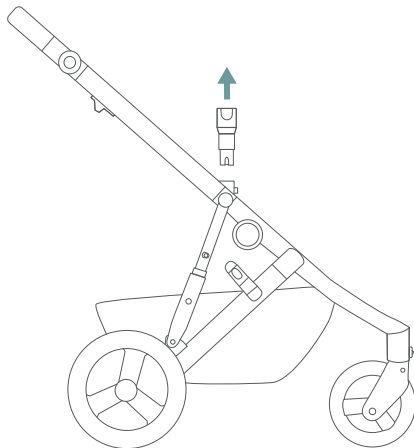
1. Locate the adapter release buttons on the stroller frame, just below the adapters' connection points.



2. Press the release buttons.



3. Lift the adapters out of the stroller frame.



Removing the capsule from the stroller

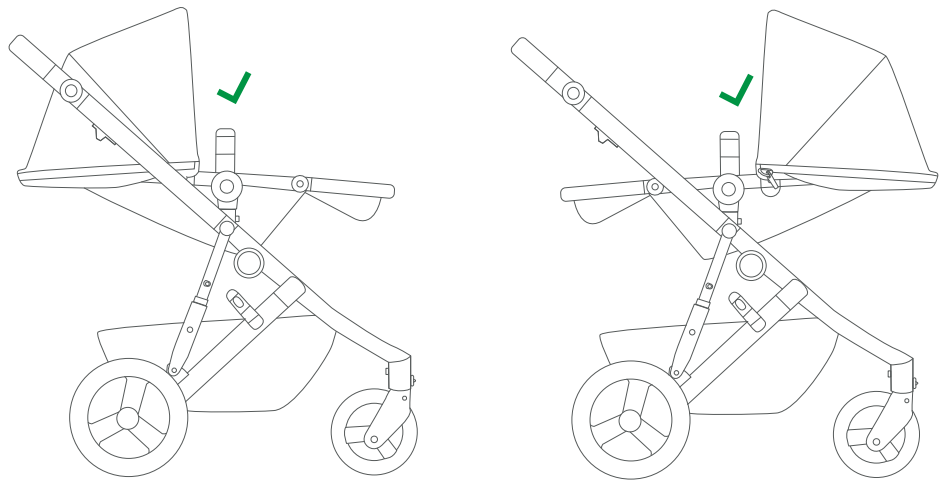
1. Locate the capsule release mechanism on your capsule.
(For more information, please read your capsule's instruction manual.)
2. Engage the capsule release mechanism and lift the capsule straight up. Do not lift the capsule on an angle.

Attaching the Newborn Insert Cushion (sold separately)

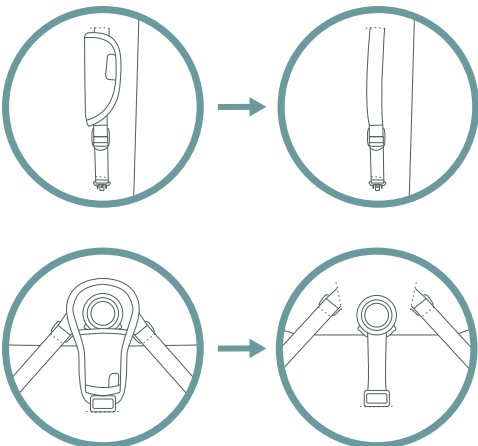
WARNING: This cushion is not a substitute for a bassinet or a bed. Never leave a baby asleep in the stroller unattended.

The Newborn Insert Cushion converts the seat unit into a surface approved for use with newborn babies.

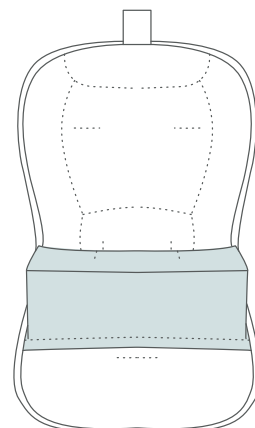
Only use the Newborn Insert Cushion with the seat unit in the horizontal position.



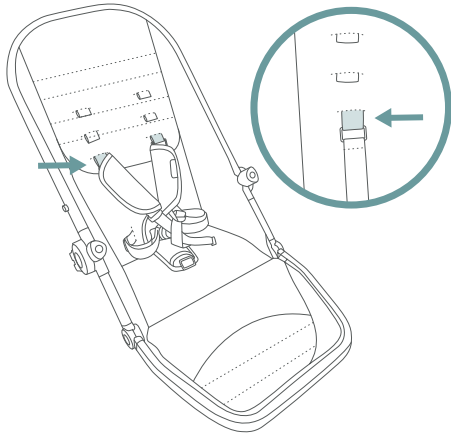
1. Remove the seat unit's shoulder pads and crotch pad.



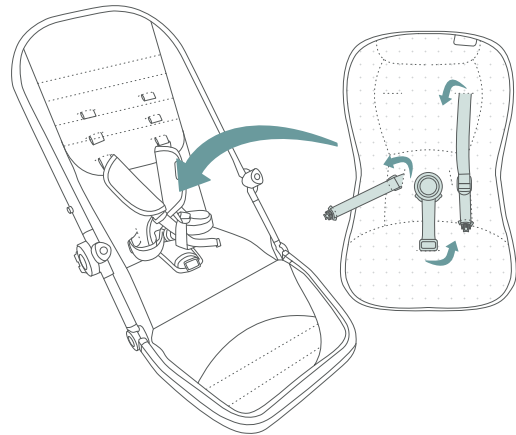
2. Check the lumbar wedge is in position in the back of the Newborn Insert Cushion.



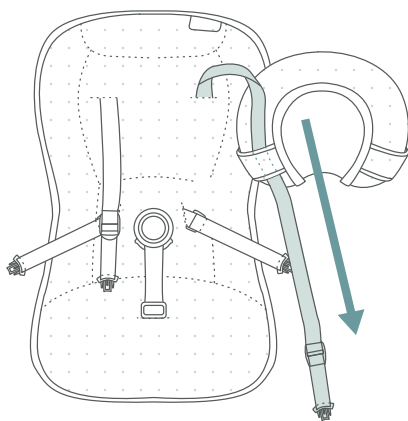
- 3.** Ensure the shoulder strap height is at the lowest position.



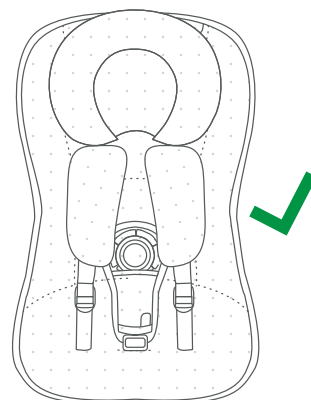
- 4.** Thread the shoulder, hip and crotch straps through the liner.



- 5.** Guide the shoulder straps through the loops at the back of the head hugger.

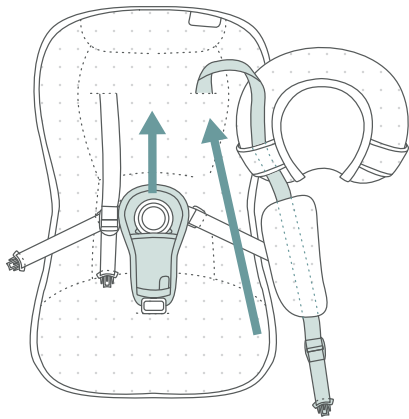


- 6.** Thread each shoulder strap through the shoulder pads. Put the stroller crotch pad back onto the harness buckle.

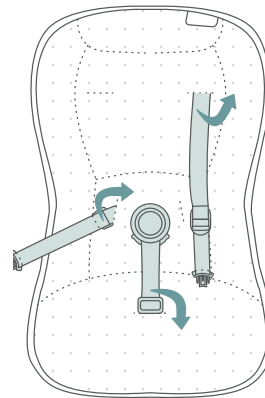


Removing the Newborn Insert Cushion

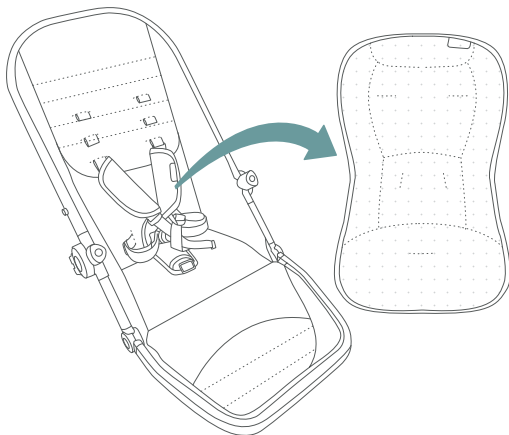
1. Remove the crotch pad from the harness buckle. Slide the shoulder pads off the shoulder straps. Remove the shoulder straps from the loops at the back of the head hugger.



2. Thread the harness buckle, hip and shoulder straps back through the liner.

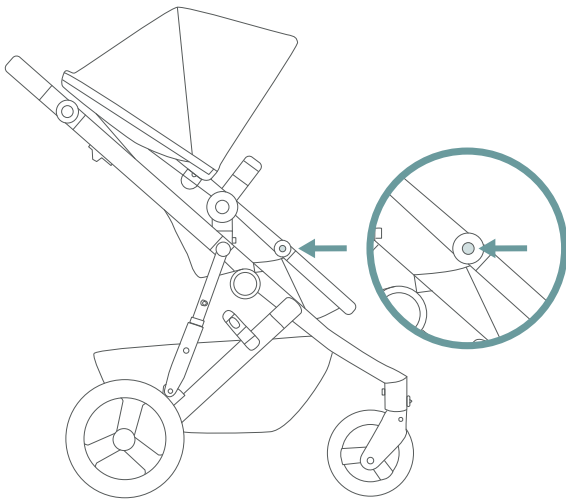


3. Remove the Newborn Insert Cushion from the stroller seat.

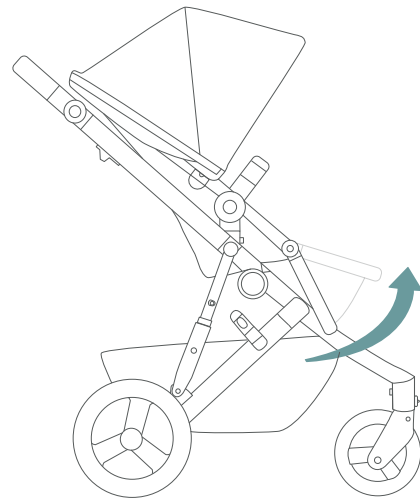


Adjusting the footrest

1. Locate the circular buttons on both sides of the footrest hinge.



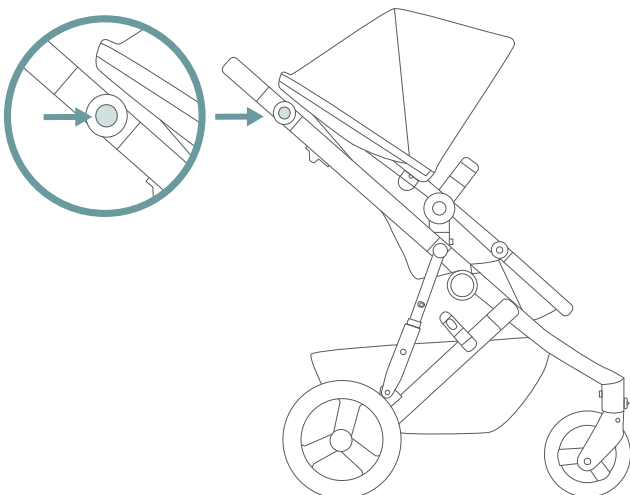
2. Press both buttons and simultaneously raise or lower the footrest to the desired position.



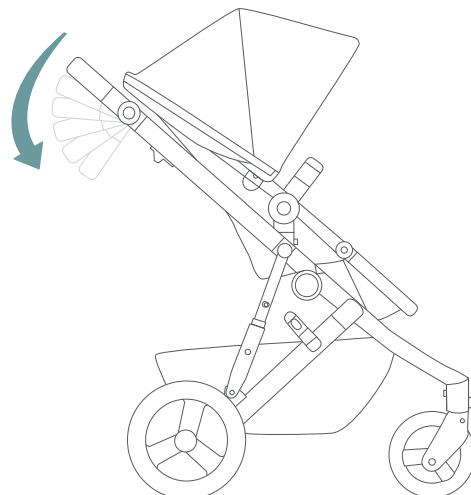
Adjusting the handlebar

Note: The handlebar has six height positions.

1. Locate the circular buttons on the outside of both sides of the handlebar.



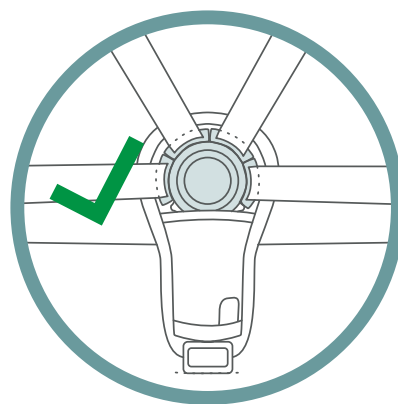
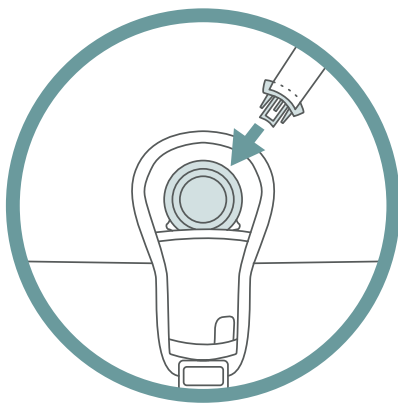
2. Press both buttons and simultaneously raise or lower the handlebar to the desired position.



Using the harness buckle

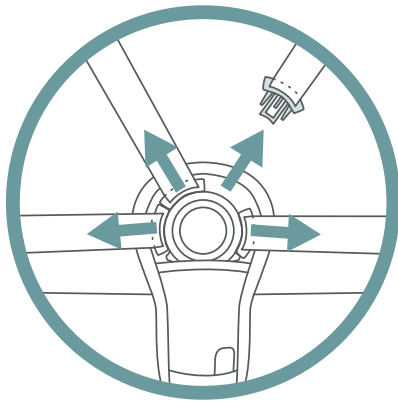
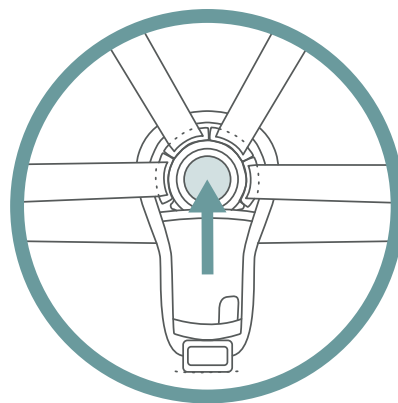
Locking the buckle

1. Insert one harness tongue into the harness buckle until you hear a click.
2. Repeat step one for each of the remaining three harness tongues.



Unlocking the buckle

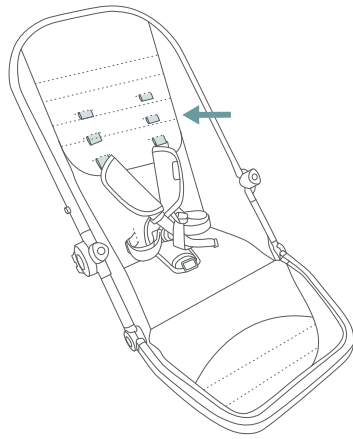
1. Push the button at the centre of the buckle.
2. Remove the four harness tongues.



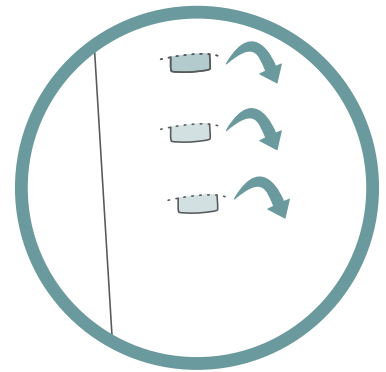
Adjusting the shoulder strap height

Note: There are three height positions for the shoulder straps. As your child grows, it is necessary to move the shoulder straps according to your child's height. The shoulder straps should be positioned at about level or just above your child's shoulders.

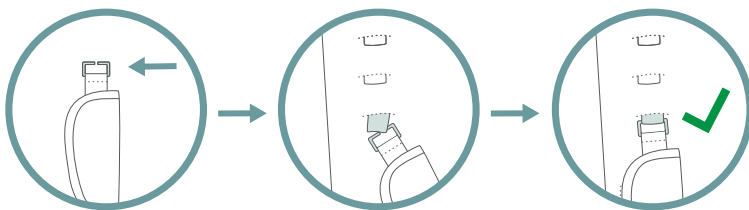
1. Locate the harness loops in the slots in the seat back.



2. Pull the harness loops through to the front.



3. Locate the metal loops on the end of the shoulder straps. Thread these onto the harness loops at the required height.



Correct fit for harness

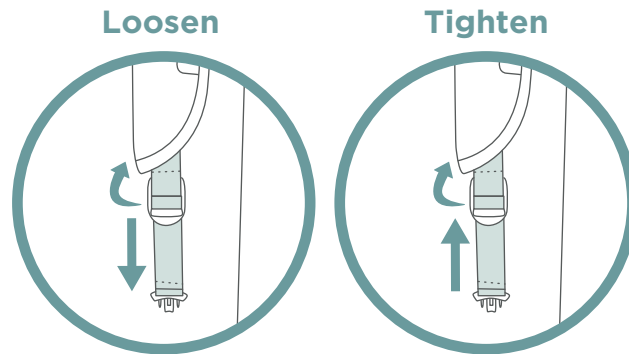
Adjusting the harness straps

Note: The harness should be firm but not too tight around your child. It is adjusted correctly when you can fit two of your fingers between the harness and your child.

WARNING: Never leave a harness connected when not fitted to a child in the stroller. A connected harness can form loops which may be a strangulation hazard.

Adjusting the hip and shoulder straps

1. Pull the webbing straps through the toggle on the hip or shoulder straps and adjust to the desired length.



Adjusting the harness buckle strap

1. Pull the webbing straps through the toggle on the harness buckle strap and adjust to the desired length.



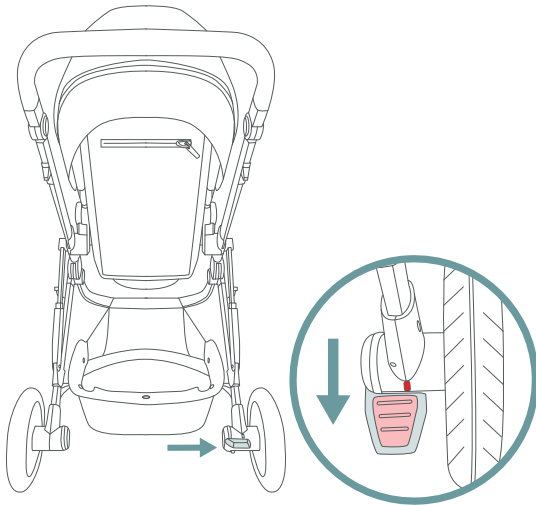
Correct fit for harness

Using the parking brake

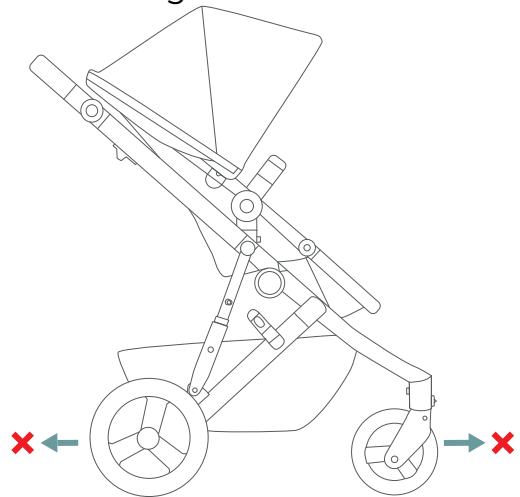
Note: When the brake is engaged, the brake indicator window will show red. When the brake is released, the brake indicator window will show green.

Engaging the parking brake

1. Push the red brake pedal down with your foot. Brake indicator window will show red.

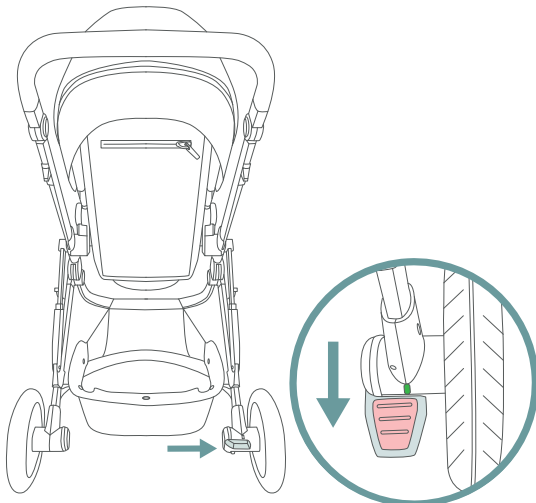


2. Ensure the brake has locked both rear wheels. Push the stroller a little to make sure the brake is engaged and working.

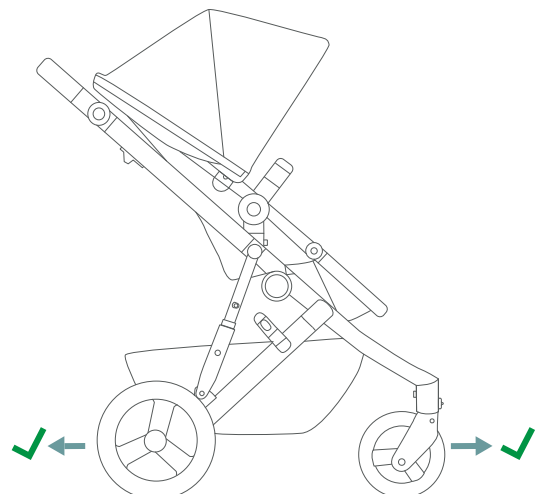


Releasing the parking brake

1. Push the red brake pedal down with your foot. Brake indicator window will show green.



2. Ensure the brake has unlocked both rear wheels.

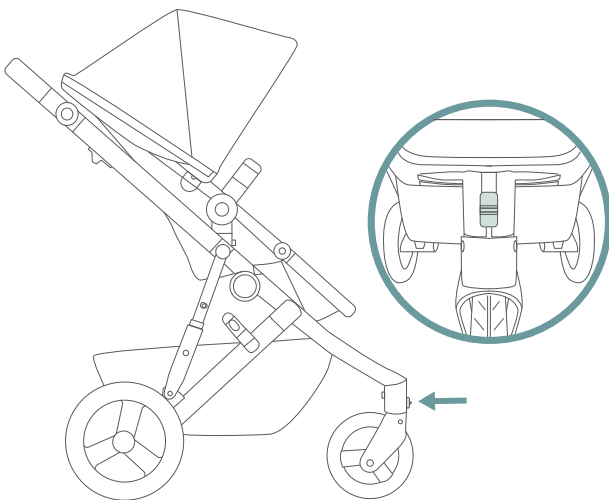


Using the front wheel swivel lock

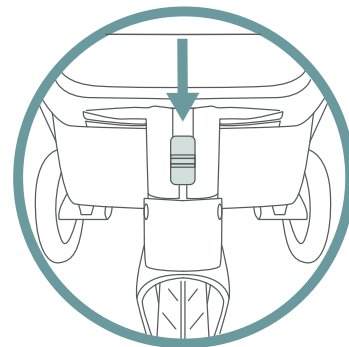
Note: The swivel lock is used to lock the front wheel into position or to release the front wheel to enable it to swivel freely.

Engaging the front wheel swivel lock

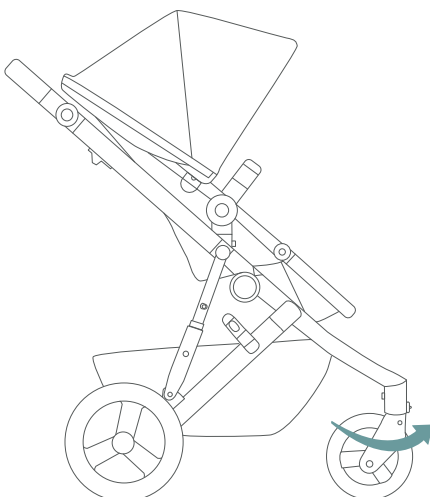
1. Locate the swivel lock on the front wheel housing.



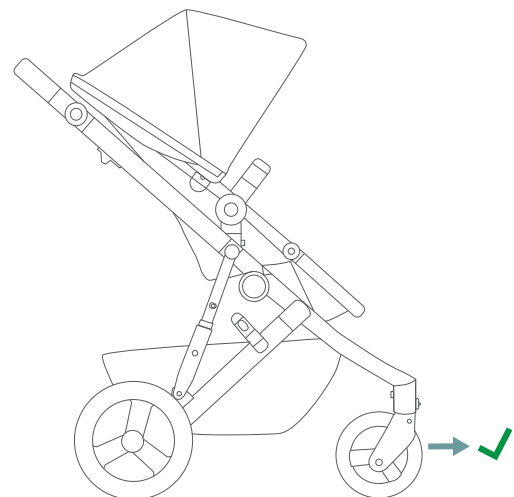
2. Slide the lock lever downwards.



3. Swivel the front wheel until you hear the lock click into place.

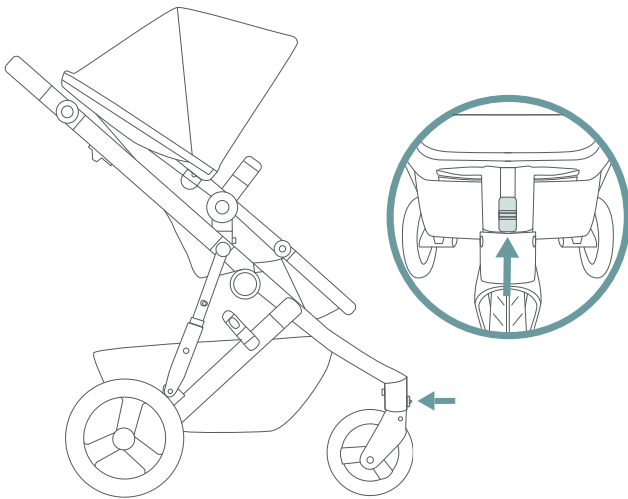


4. Push the stroller a little to make sure the front wheel is locked into position.



Unlocking the front wheel swivel lock

1. Slide the lock lever upwards.

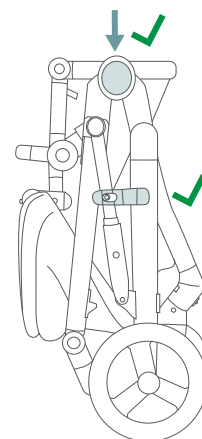


Carrying the stroller

Recommendation: When lifting the stroller, we recommend holding the frame on both sides near the fold hinge.

1. Hold the area near the fold hinge. Ensure the fold lock latch is secure.

✓ Check the fold lock latch is secure before you lift or carry the stroller. If the latch does not engage correctly, unfold and fold again. The latch can be manually positioned over the lock as pictured.



How to care for and maintain your stroller

Store your stroller and accessories carefully

Store inside in a well-ventilated, dry area.

Do not store in a damp environment that is not well insulated (such as an unfinished basement or outdoor shed).

Store when dry, not damp or wet.

Store away from direct sunlight. Direct sunlight could cause fabric fading or damage.

Store away from carpet. Rubber on the wheels could leave marks on carpet.

Do not place heavy objects on top of your stroller or accessories.

NEVER allow your stroller to come into contact with corrosive substances. Examples are battery acid or petroleum products. Corrosion is not covered under our warranty - see the **Warranty** in this Instruction Manual.

Clean your stroller carefully

Use a damp cloth to clean the seat fabric and/or sun canopy. To dampen a cloth, dip the cloth in a small amount of mild detergent diluted in water (such as laundry liquid).

NEVER fully soak the cloth in water.

NEVER clean any part of the stroller with abrasive, ammonia-based, bleach-based or spirit-based cleaners.

See care labels for specific instructions regarding machine washing.

Dry your stroller carefully

Dry the stroller thoroughly before storing it.

NEVER tumble dry any part of the stroller.

NEVER wring any stroller fabrics.

Replace damaged or worn wheels immediately

Stop using the stroller if any wheel becomes damaged or worn. Replace it immediately.

Check regularly for wear and tear

Check regularly for wear and tear on all stroller parts.

Get your stroller inspected regularly

Get your stroller inspected regularly to maintain it. Regular inspection ensures the locking devices are working correctly and essential components are secure. Please read **How to service your stroller** in this Instruction Manual.

Use your stroller in sunlight for short periods

Always park your stroller in a shaded area. Only use your stroller in direct sunlight for short periods. This will help reduce fabric fading and damage.

Read our Servicing Guide before using the stroller on the beach or near salt water

If you live within 3kms of the sea, take extra care to park/store your stroller indoors and away from wind. Salt water carries in strong winds and is extremely corrosive.

Avoid beach use where possible. Salt and moisture can damage moving parts. Even salty atmospheric conditions can affect the stroller's mechanisms.

If you use your stroller in coastal areas, please read **How to service your stroller in this Use & Care Guide.**

How to service your stroller

Just like your car, regular service extends the life of your Edwards & Co stroller.

Inspect your stroller at least once a month

We recommend that you fully inspect your stroller at least once a month.

Here are some helpful tips to inspect your stroller at home.

Inspect all the rivets and screws that connect your stroller together

- Make sure all rivets and screws are clean, tight and secure.
- If corrosion is forming on any rivet or screw: Wipe the rivet or screw with a damp cloth. Leave the rivet or screw to dry overnight. Spray a rag with some WD-40. This applies an extra coating over the rivets and screws to help protect against corrosion.

Inspect the wheels

- Remove the front and rear wheels.
- Wipe the wheels with a clean rag to remove any dirt, sand or other debris.
- Wipe out the wheel housing.
- Rear wheels only: Spray the wheel pins with some WD-40. Spraying will help to keep the wheel release mechanism operating smoothly.

Inspect the fold joints

- Make sure the fold joints are free of dirt and debris.
- Wipe the fold joints clean with a damp cloth.
- Clean the fold joints when the stroller frame is folded.
- Apply some WD-40 or silicone spray (available at Bunnings, Mitre 10 or your local supermarket) to the moving hinges.

Inspect the metal components to help prevent rust

- Never rinse the frame, wheels and housing with water. Water will interfere with the internal mechanisms and will damage your stroller.
- If you live or use the stroller within 3kms of the beach or sea: Spray a rag with WD-40 and wipe down all screws and rivets. This applies an extra coating over the rivets and screws to help protect against corrosion. Repeat this process monthly.

CAUTION: Do not use the stroller on the beach. Sand and salt will interfere with moving parts.

Service your stroller at least once every 6 months

We recommend you get your stroller serviced at least once every 6 months.

To get your stroller serviced, contact us at hello@edwardsandcobaby.com

Our customer service team will offer assistance or make an appointment for you to visit our service team at our main office in Silverdale, Auckland.

We also host service days at retailers throughout New Zealand multiple times a year.

You will find the list of service days on our Events page on our website.

Warranty

All Edwards & Co products are guaranteed for two years from the date of shipping against defects in material and workmanship.

If we determine that the product has a manufacturing fault, we will repair or replace it free of charge to you. The decision to repair or replace is solely at the discretion of Edwards & Co Proof of purchase must be provided.

The warranty is “return to base” and not a free in-home service. This means the customer is responsible for any inwards freight charge to return the product to an Edwards & Co representative for warranty or service.

Our warranty excludes claims resulting from misuse, abnormal use, overloading, general wear and tear (including scratches), child outgrowing the product, not following instructions, transportation damage (including airline or freight damage), poorly maintained product, dropped goods, negligence, second-hand product, modified product, colour fading, over inflation, mould, damage to handle foam in use or fabric cuts and tears. Our warranty also does not cover tyre punctures or corrosion to frames or fasteners as a result of atmospheric or environmental conditions.

Any replacement will not give the right for the warranty period to be extended.

Edwards & Co does not cover warranty if the product has been purchased second hand or from an unauthorised reseller.

For the complete terms and conditions of our warranty, please visit our website — edwardsandco.nz/pages/warranty

Edwards & Co New Zealand

Unit 5
30 Foundry Road
Silverdale 0932
NEW ZEALAND

NZ: (09) 869 8950

hello@edwardsandcobaby.com

Edwards & Co Australia

952 Mt Alexander Road
Essendon
VIC 3040
AUSTRALIA

AU: (02) 9066 6702

Designed with love

Watch helpful
instructional videos



Come along on
the journey



Visit our comprehensive support centre online

edwardsandcobaby.zendesk.com/hc/en-us
