

EDWARDS & CO

Use + Care Guide

Olive Second Seat Kit

EC211-103



NZ AU EN



IMPORTANT

- Keep these instructions for future reference.
- Always follow the manufacturer's instructions.
- Read all instructions carefully before assembly and use of this stroller.
- Check that all items are present and undamaged.
- The correct use and maintenance of this product is essential.

Suitable for children from 6 months to 22kg

(Suitable from newborn to 22kg with the
Newborn Insert Cushion accessory)

Independently safety tested for compliance with the
Australian and New Zealand Standard AS/NZS 2088:2013

Contents

Warnings: Australia/New Zealand	4
General warnings and safety precautions	5
What's in the box	7
Olive Second Seat Kit components	8
Using the Olive Second Seat Kit	9
Using the lower adapters	10
Attaching the second seat unit	12
Removing the second seat unit	13
Extending the canopy	14
Attaching the bumper bar	15
Removing the bumper bar	15
11 correct layouts for using this Olive Second Seat Kit	16
Reclining the second seat unit	19
Adjusting the footrest	20
Using the harness buckle	21
Adjusting the shoulder strap height	22
Adjusting the harness straps	23
Attaching the Newborn Insert Cushion	24
Removing the Newborn Insert Cushion	26
How to care for and maintain your stroller	27
How to service your stroller	29
WARRANTY	31

Australia/New Zealand

WARNING:



TO AVOID INJURY OR DEATH

ALWAYS APPLY THE BRAKES WHEN THE STROLLER IS STATIONARY.

DO NOT LEAVE CHILDREN UNATTENDED.

SECURE THE CHILD IN THE HARNESS AT ALL TIMES.

DO NOT CARRY EXTRA CHILDREN OR BAGS ON THIS STROLLER.

MAKE SURE CHILDREN ARE CLEAR OF ANY MOVING PARTS IF YOU ADJUST THIS STROLLER.

USE THE HARNESS AT ALL TIMES.

USE THE STRAP TO STOP THE STROLLER ROLLING AWAY.

DO NOT USE THE SEAT UNIT WITH ANY OTHER MODELS OF STROLLER.

DO NOT USE THE BASSINET ONCE THE CHILD CAN SIT UP UNAIDED.

General warnings and safety precautions



TO AVOID INJURY OR DEATH

Maximum weight limits

Child using this stroller in the main seat unit: **22kg**

Child using this stroller in the second seat unit (Double Kit required): **22kg**

Child using this stroller with the capsule attachment: **13kg**

Child using this stroller with the Carry Cot/bassinet attachment: **9kg**

Capacity of the storage basket: **10kg**

Capacity of the seat pocket: **1kg**

Minimum age limits

The seat is suitable for a child from 6 months.

Newborns must use the seat with the Newborn Insert Cushion accessory.

Releasing a child quickly in an emergency

Make sure the buckle is easy to access. It is important that your child can be released quickly in an emergency.

Keeping fingers away from moving parts

Take care of fingers and **NEVER** let a child fold or unfold the stroller. Fingers may jam in moving parts when folding or unfolding the stroller.

Do not use the stroller as a substitute baby cot or bed

The stroller is only designed to transport children safely. The stroller is not a baby cot or bed.

Using the harness safely

To avoid serious injury, always use the safety harness when your child is in the stroller. Always adjust the straps to fit firmly to your child's body size. A loose restraint or harness is **DANGEROUS**.

Never leave a harness connected when not fitted to a child in the stroller. The harness can form loops which may be a strangulation hazard.



Keeping the stroller stable

Do not place or attach weight on the handle or side of the stroller. Doing so may make the stroller's frame unstable. Use only approved Edwards & Co accessories.

Using the stroller on surfaces

Do not use this stroller on escalators, or on moving or mechanical conveyer belts. Always take your child out of the stroller when on stairs.

This stroller is designed for use on flat and gentle sloping surfaces. Take care on higher sloping or uneven surfaces. These surfaces increase the risk of the stroller tipping.

The brakes must be applied when the stroller is not moving.

Do not use the stroller on sand or near or in salt water

Store your stroller in a sheltered dry place and avoid beach use. Salt water or excessive moisture may cause corrosion on the fastenings and moving parts of this stroller. The manufacturer's warranty does not cover corrosion caused by environmental factors such as salt water or sand.

Never rinse the frame, wheels or housings with water. Water and/or debris can interfere with the internal mechanisms, including the brakes and damage your stroller.

Keeping the stroller away from fire and extreme heat

Do not store the stroller in areas where high temperatures may occur. Examples are a roof space, or beside shed walls that can get hot.

Approved accessories

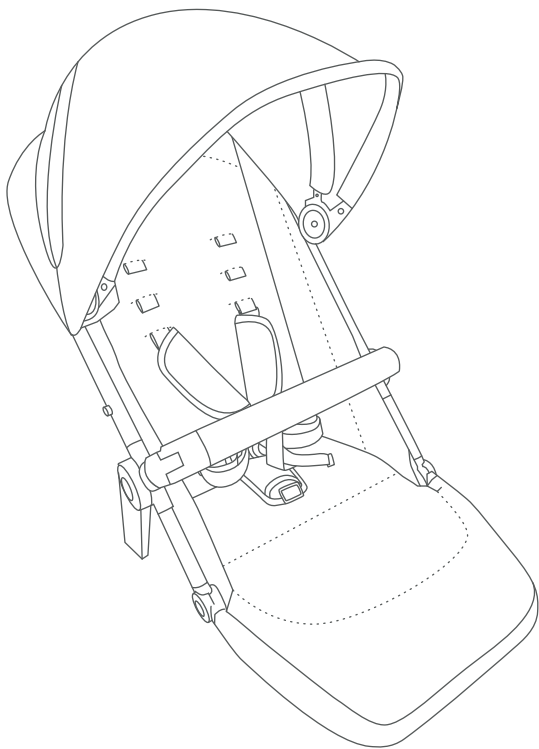
Only use accessories approved by Edwards & Co.

Only use a mattress (in the Carry Cot) supplied by Edwards & Co.

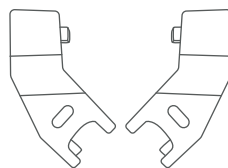
What's in the box

Note: Check that all items are present and undamaged.

Use + Care Guide
(this instruction
manual)

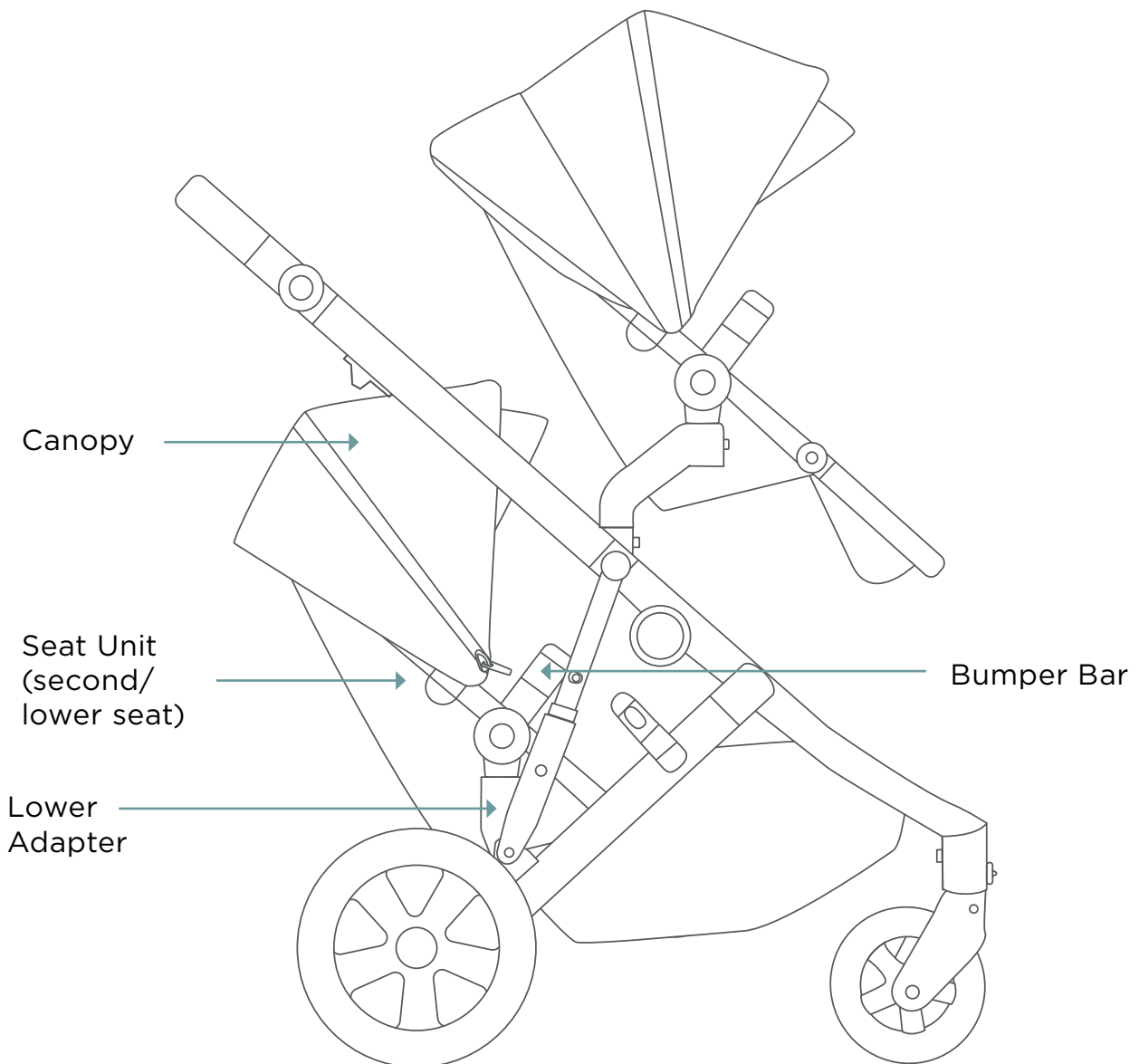


1 x second seat unit &
bumper bar & canopy



1 x set of Lower
Adapters (for use
on stroller's lower
connection points)

Olive Second Seat Kit components



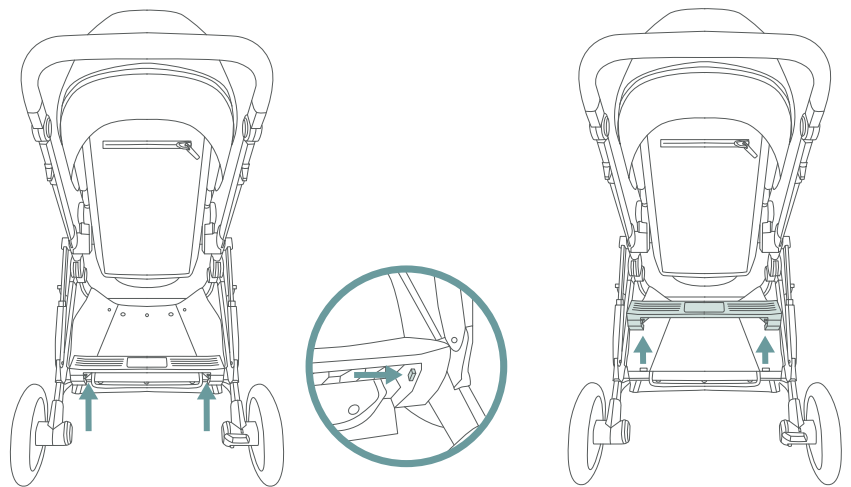
Using the Olive Second Seat Kit

Using the lower adapters

Note: The stroller can be folded with the lower adapters connected.

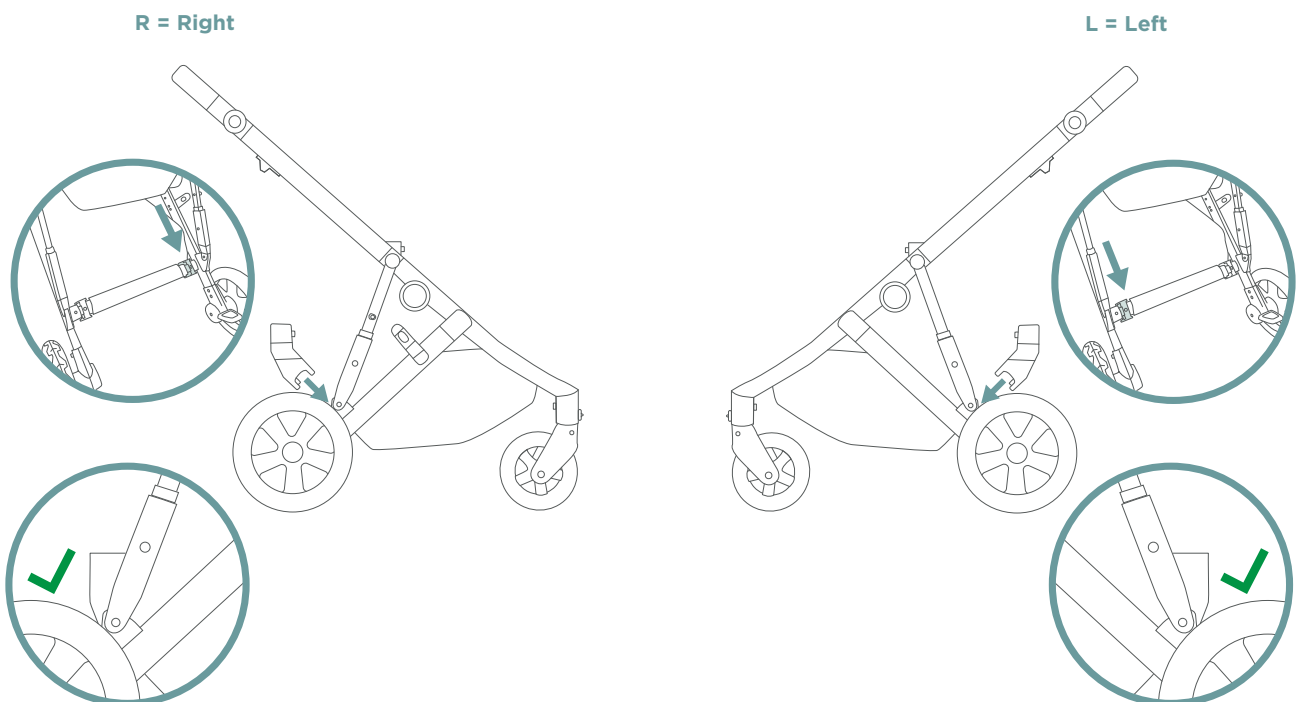
Installing the lower adapters

1. Remove the cover for the lower connection points on the rear cross-bar. See Olive Use + Care Guide for instructions.



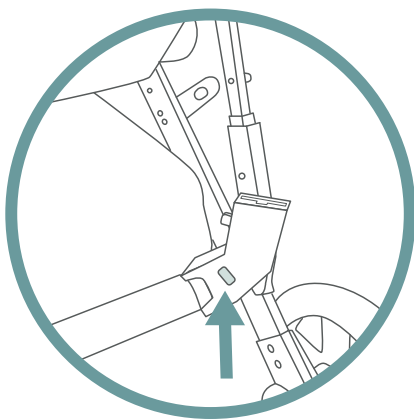
2. Locate the lower adapter connection points on the rear cross-bar. Slide the right hand lower adapter over the right hand connection point and click into place. Repeat on left side. (R = Right; L = left). Pull each adapter upwards to check they are both secure.

✓ You will hear a click when the adapters connect and lock correctly.

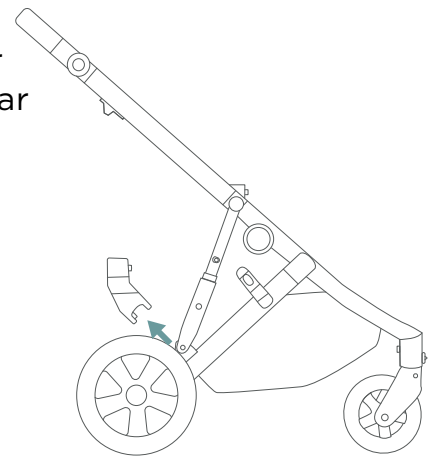


Removing the lower adapters

1. Press the button on the inner side of the adapter.

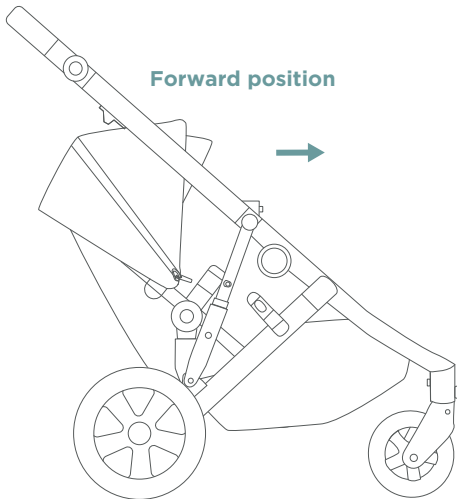


2. Remove the adapter from the rear cross-bar.

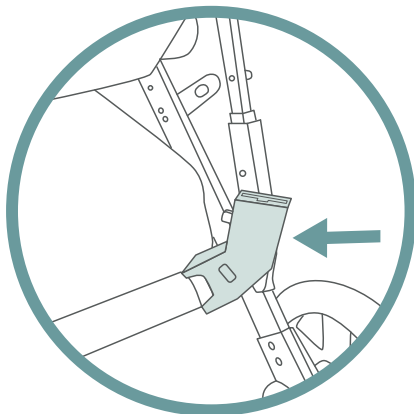


Attaching the second seat unit

Note: The second seat can only be used in the forward facing position.

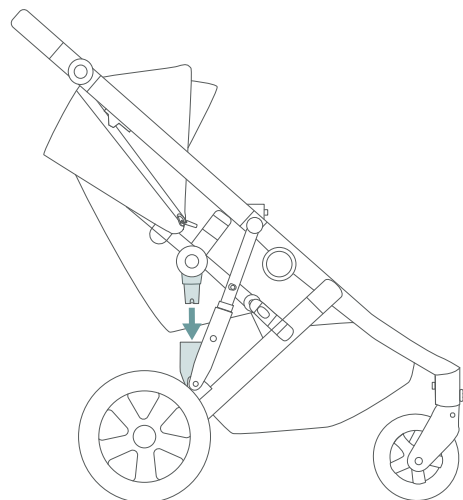


1. Ensure lower adapters are installed on the rear cross-bar.



2. Insert the second seat unit's connectors into the lower adapters. Pull the seat upwards to check it is secure.

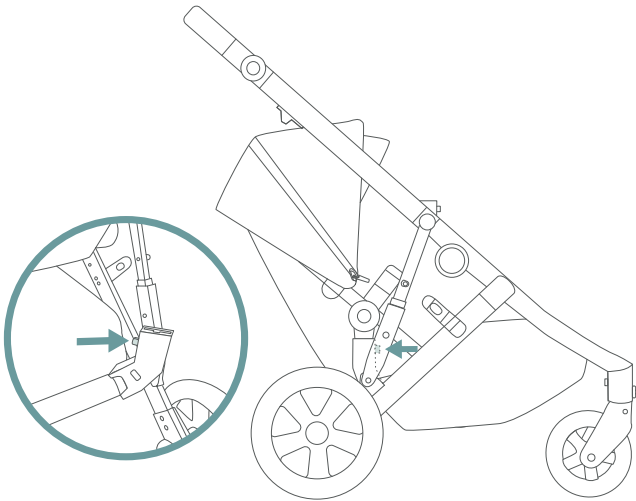
✓ You will hear a click when the seat unit connects correctly.



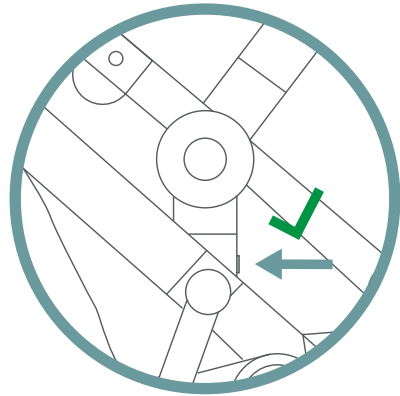
Removing the second seat unit

Note: The second seat can only be used in the forward facing position.

1. Locate the seat release buttons on each lower adapter, just below the seat connection points.

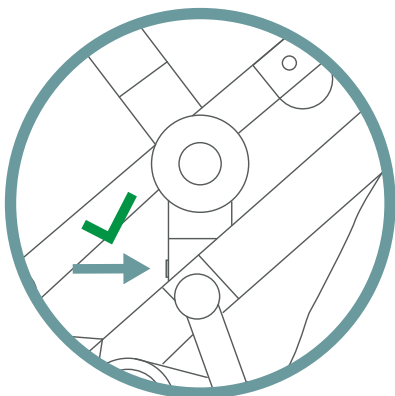


2. Push in one seat release button until it stays in place.



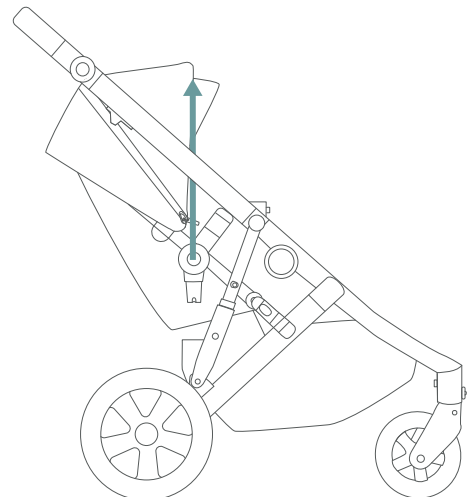
3. Push in the seat release button on the other lower adapter until it stays in place.

Note: The buttons do not need to be pressed simultaneously.



4. Lift the seat straight up.

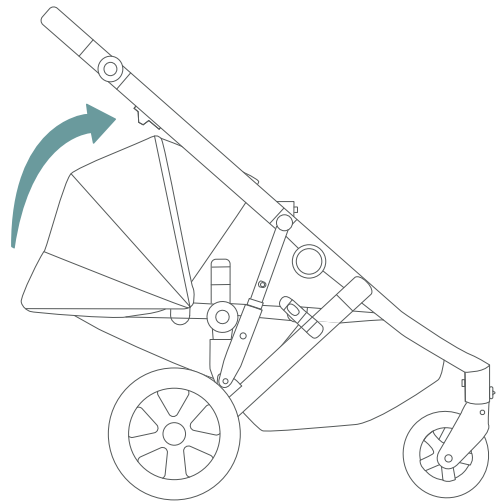
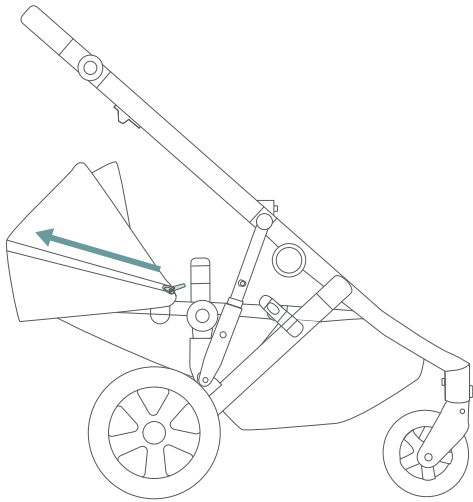
Note: Do not lift the seat on an angle.



Extending the canopy

Note: The canopy extension is designed to be used when the second seat is reclined. Using the extension while upright may interfere with the upper seat.

1. Locate the zip on the left side of the canopy and undo.
2. Once undone, extend the canopy upwards.



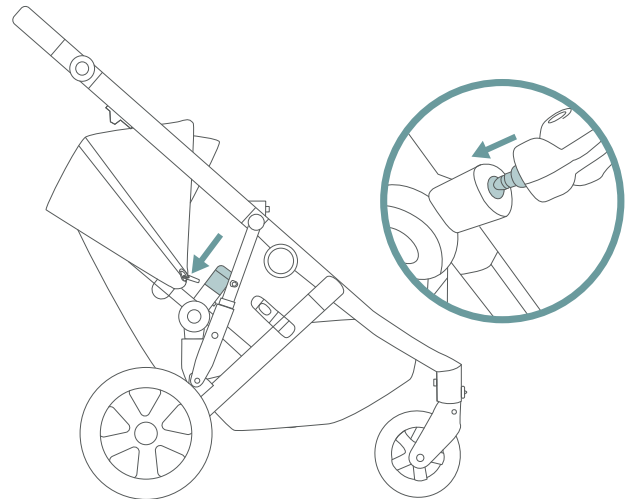
Attaching the bumper bar

1. Locate the metal pins on either end of the bumper bar.



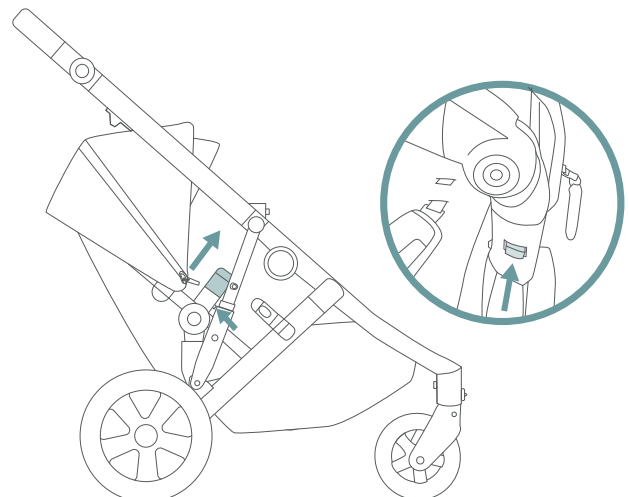
2. Insert metal pins into the connection points on either side of the seat unit until they click into place. Pull the bumper bar to ensure it is securely connected.

- ✓ You will hear a click when the pins connect securely within the housing.



Removing the bumper bar

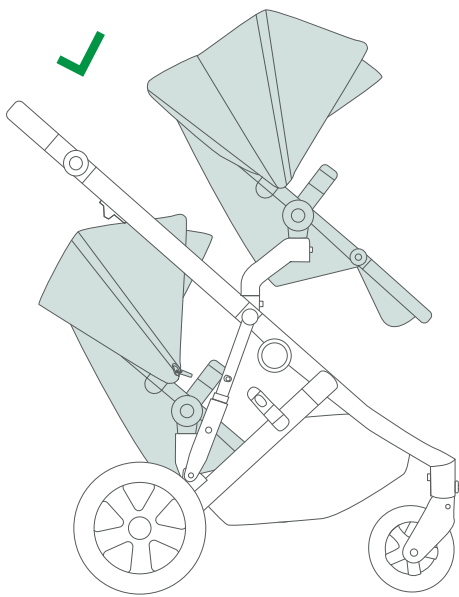
1. Locate the black release buttons below the bumper bar's two connection points.
2. Press and hold one button while pulling the end of the bumper out. Repeat at the other end.



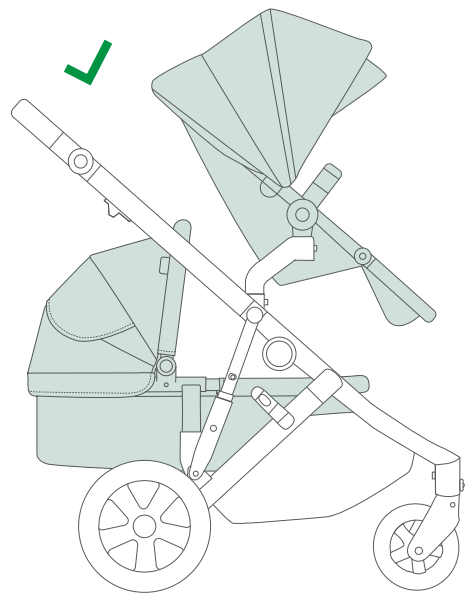
11 correct layouts for using this Olive Second Seat Kit

The illustrations below show 11 correct layouts for using this Olive Second Seat Kit with the Olive stroller.

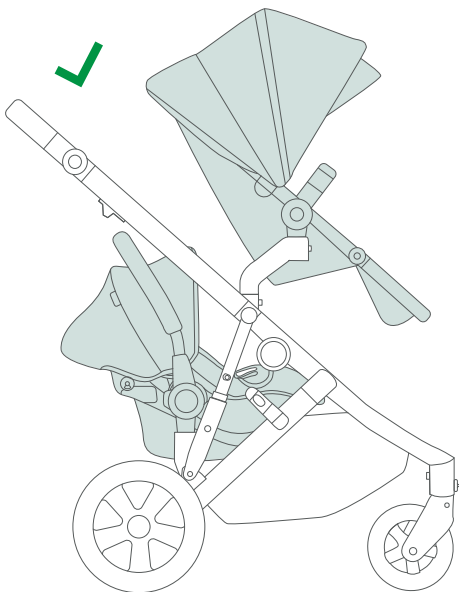
Note: Main seat in upper adapters can also be used in reverse position. Second seat in lower adapters can only be used in forward position.



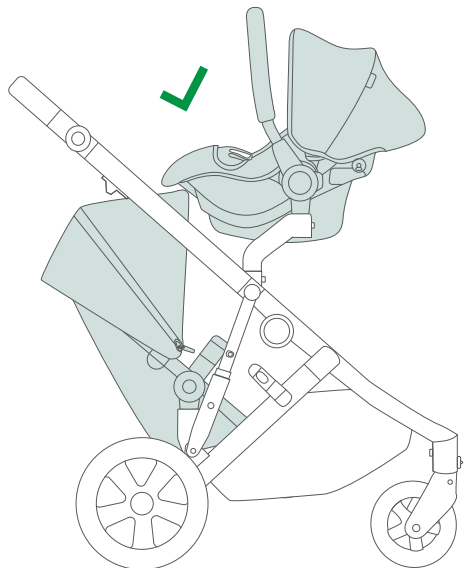
Upper: main seat unit- 22kg max
Lower: second seat unit - 22kg max



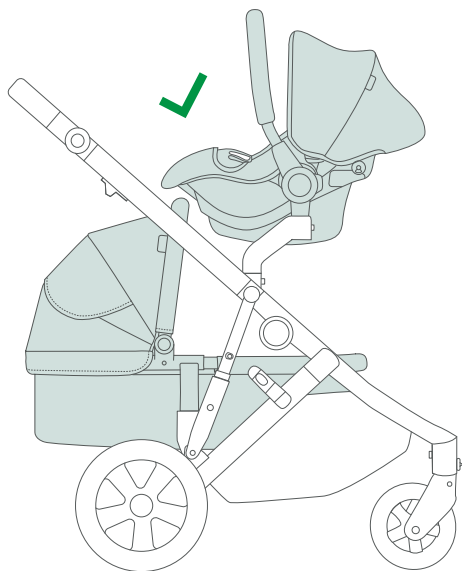
Upper: main seat unit - 22kg max
Lower: Carry Cot - 9kg max



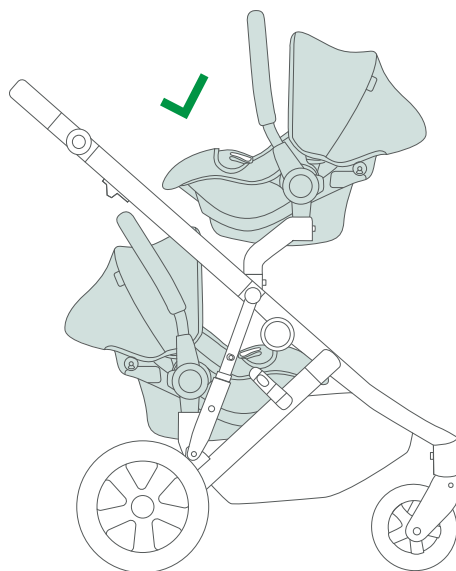
Upper: main seat unit - 22kg max
Lower: Avery Capsule - 13kg max



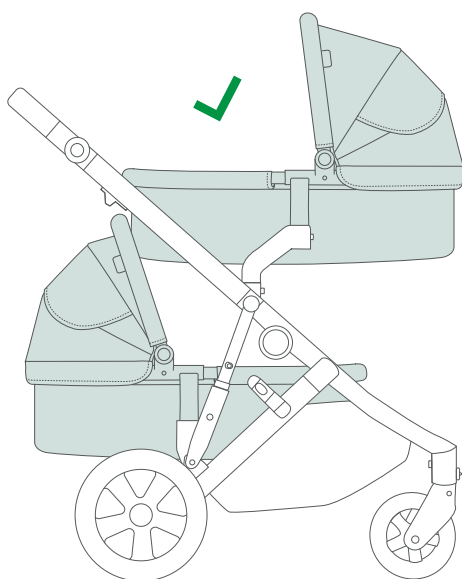
Upper: Avery Capsule - 13kg max
Lower: second seat unit - 22kg max



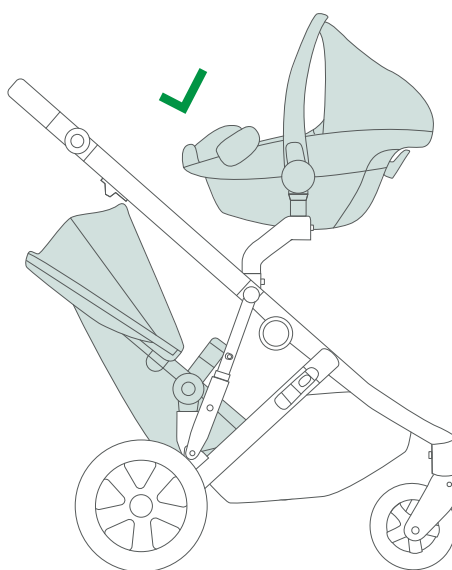
Upper: Avery Capsule - 13kg max
Lower: Carry Cot - 9kg max



Upper: Avery Capsule - 13kg max
Lower: Avery Capsule - 13kg max

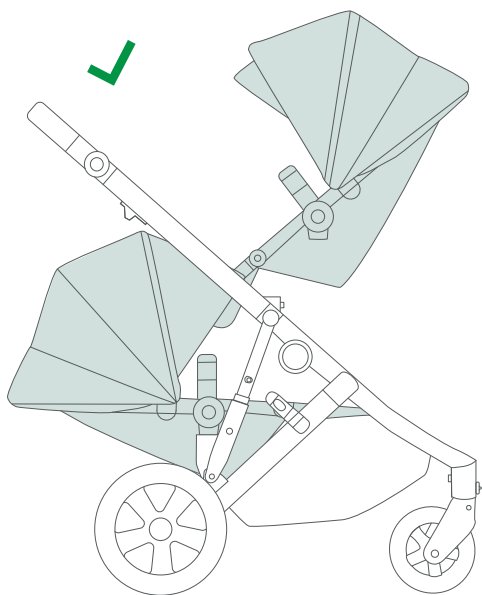


Upper: Carry Cot - 9kg max
Lower: Carry Cot - 9kg max

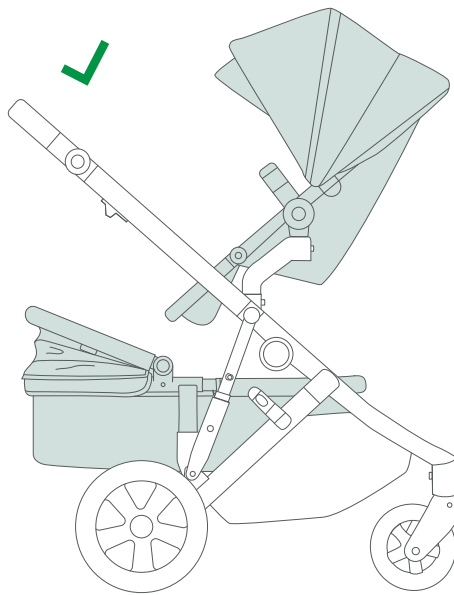


Upper: other brand capsule - 13kg max
Lower: second seat unit - 22kg max

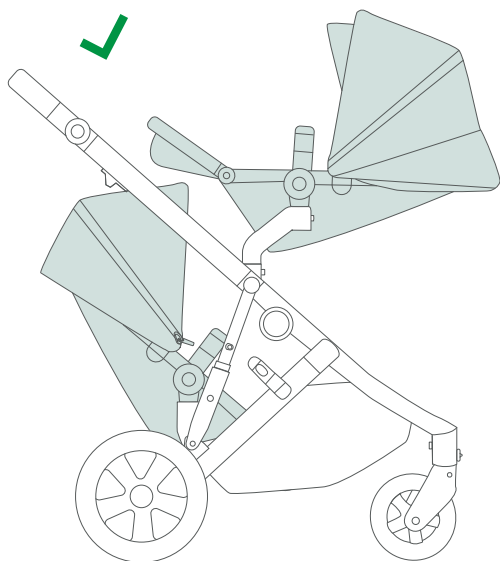
OLIVE SECOND SEAT KIT - USE + CARE GUIDE



**Upper: main seat unit- 22kg max
Lower: second seat unit - 22kg max**



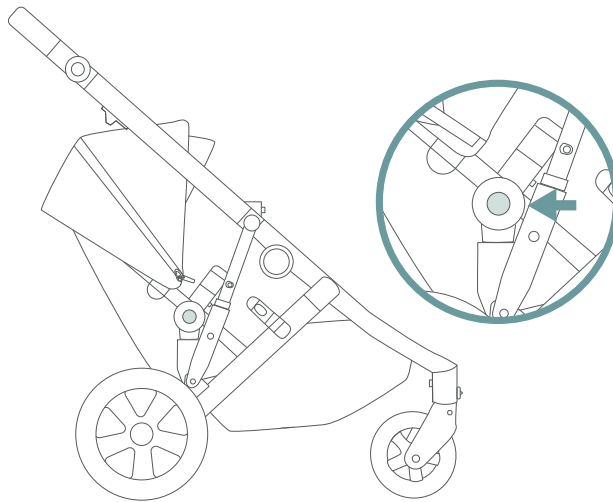
**Upper: main seat unit - 22kg max
Lower: Carry Cot - 9kg max**



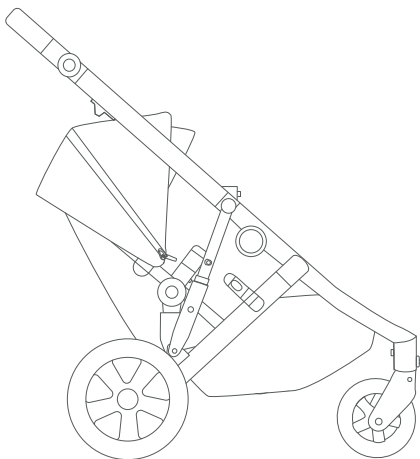
**Upper: main seat unit- 22kg max
Lower: second seat unit - 22kg max**

Reclining the second seat unit

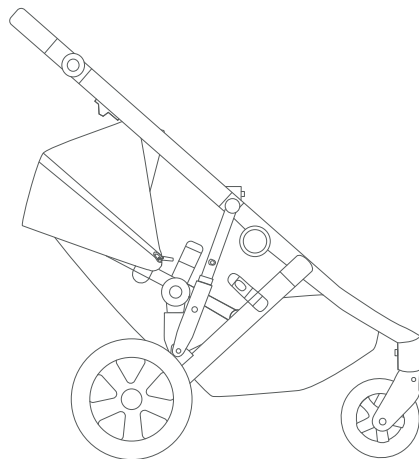
1. Locate the circular buttons at the connection points on each side of the seat unit.



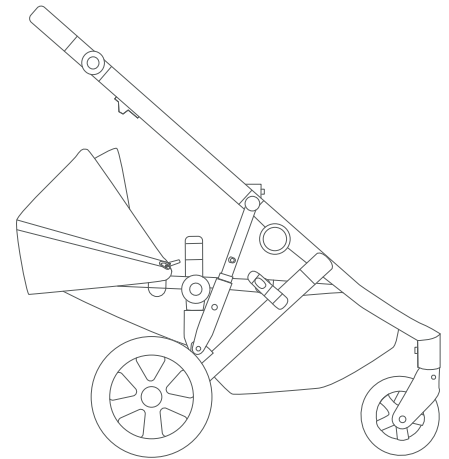
2. Press both of these buttons in simultaneously to raise or lower the seat to the desired position. The seat can be set at one of three heights: Upright, Reclined, and Horizontal.



Upright
6 months +



Reclined
6 months +
(sleeping position)

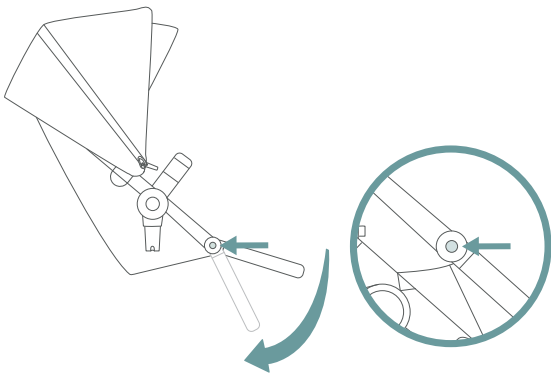


Horizontal
WARNING - newborn:

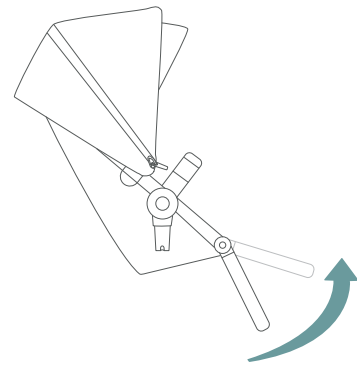
when using the seat in this position for a newborn, the Newborn Insert Cushion must be used. See “Using the Newborn Insert Cushion”.

Adjusting the footrest

- 1.** To lower the footrest (for compact stowage), remove the Velcro lining underneath the footrest, pull off the footrest lining and press both buttons.



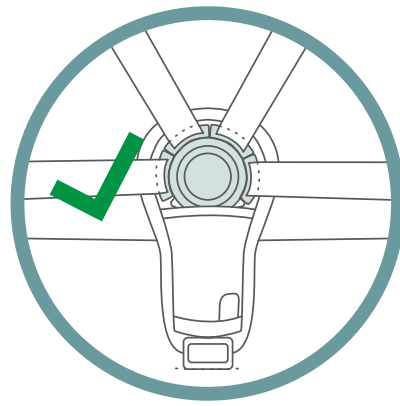
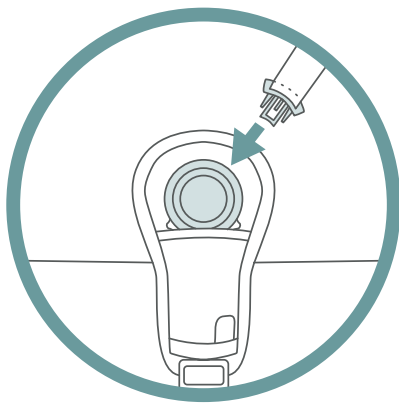
- 2.** To raise the footrest, lift upwards. It will lock back into a parallel position to the seat.



Using the harness buckle

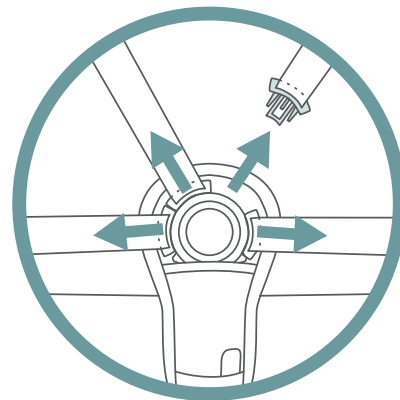
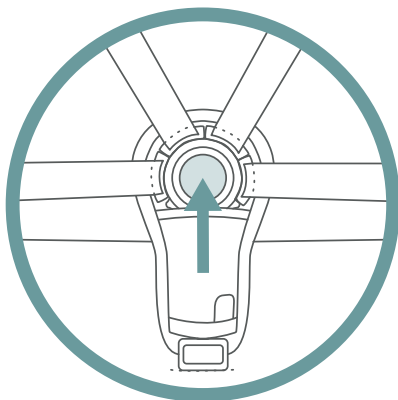
Locking the buckle

1. Insert one harness tongue into the harness buckle until you hear a click.
2. Repeat step one for each of the remaining three harness tongues.



Unlocking the buckle

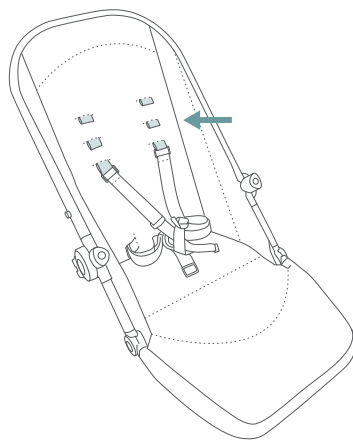
1. Push the button at the centre of the buckle.
2. Remove the four harness tongues.



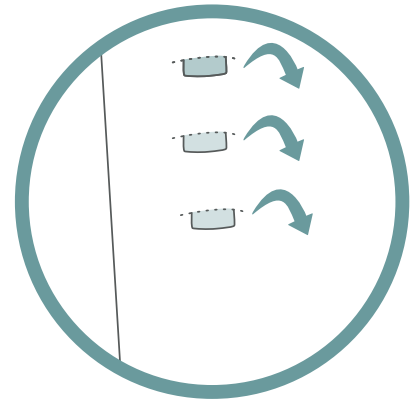
Adjusting the shoulder strap height

Note: There are three height positions for the shoulder straps. As your child grows, it is necessary to move the shoulder straps according to your child's height. The shoulder straps should be positioned at about level or just above your child's shoulders.

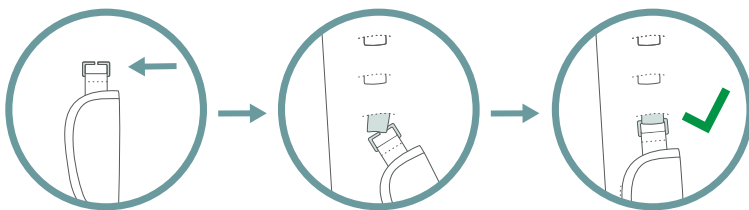
1. Locate the harness loops in the slots in the seat back.



2. Pull the harness loops through to the front.



3. Locate the metal loops on the end of the shoulder straps. Thread these onto the harness loops at the required height.



Correct fit for harness

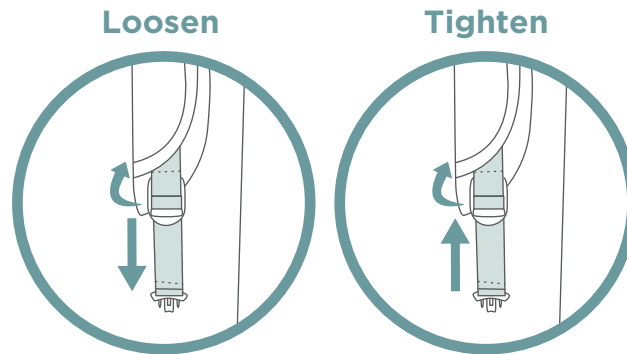
Adjusting the harness straps

Note: The harness should be firm but not too tight around your child. It is adjusted correctly when you can fit two of your fingers between the harness and your child.

WARNING: Never leave a harness connected when not fitted to a child in the stroller. A connected harness can form loops which may be a strangulation hazard.

Adjusting the hip and shoulder straps

1. Pull the webbing straps through the toggle on the hip or shoulder straps and adjust to the desired length.



Adjusting the harness buckle strap

1. Pull the webbing straps through the toggle on the harness buckle strap and adjust to the desired length.



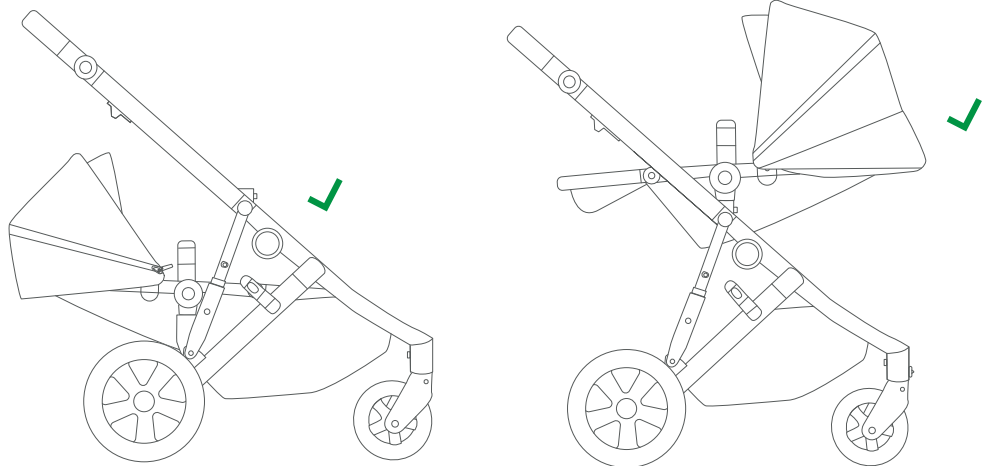
Correct fit for harness

Attaching the Newborn Insert Cushion (sold separately)

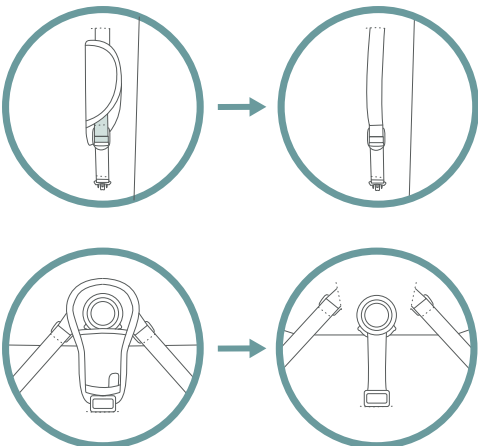
WARNING: This cushion is not a substitute for a bassinet or a bed. Never leave a baby asleep in the stroller unattended.

The Newborn Insert Cushion converts the seat unit into a surface approved for use with newborn babies.

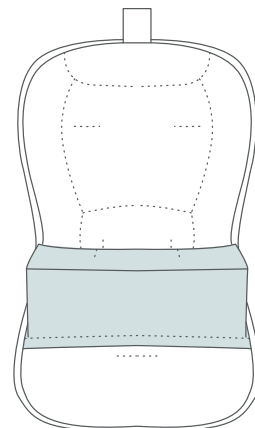
The Newborn Insert Cushion is designed to be used with the seat unit in the horizontal position.



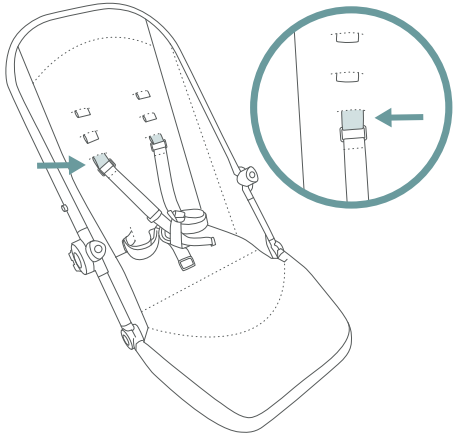
1. Remove the seat unit's shoulder pads and crotch pad.



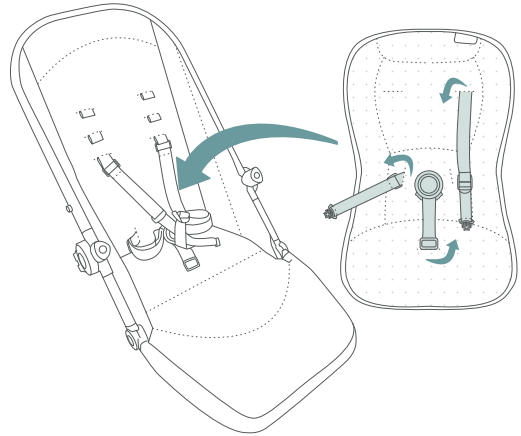
2. Check the lumbar wedge is in position in the back of the Newborn Insert Cushion.



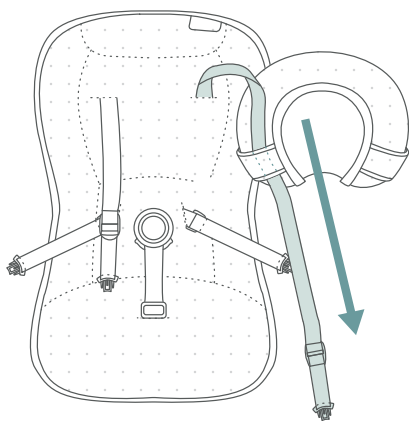
- 3.** Ensure the shoulder strap height is at the lowest position.



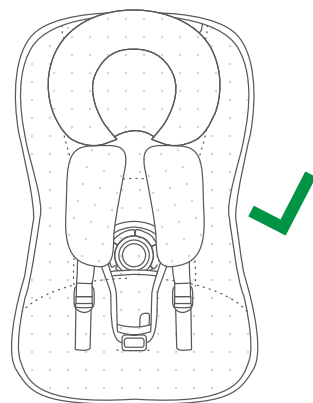
- 4.** Thread the shoulder, hip and crotch straps through the liner.



- 5.** Guide the shoulder straps through the loops at the back of the head hugger.



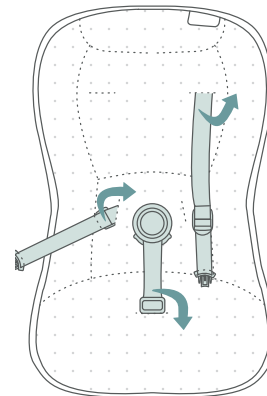
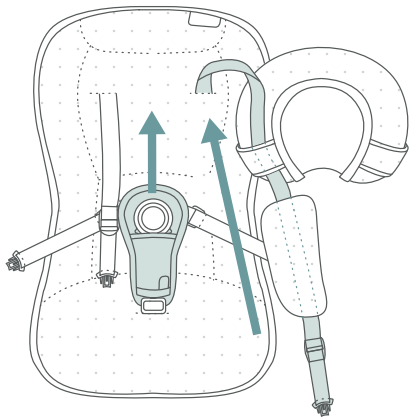
- 6.** Thread each shoulder strap through the shoulder pads. Put the stroller crotch pad back onto the harness buckle.



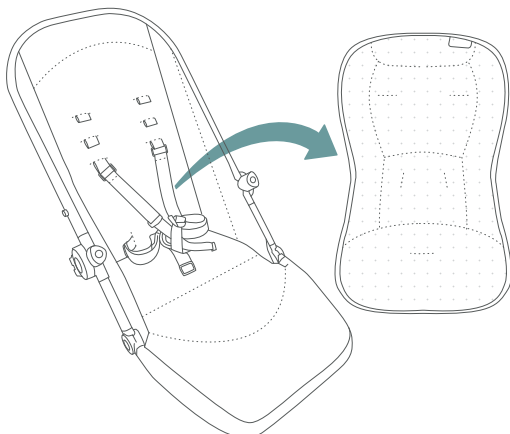
Removing the Newborn Insert Cushion

Note: When storing the Newborn Insert Cushion, take care to keep all parts together.

1. Remove the crotch pad from the harness buckle. Slide the shoulder pads off the shoulder straps. Remove the shoulder straps from the loops at the back of the head hugger.
2. Thread the harness buckle, hip and shoulder straps back through the liner.



3. Remove the Newborn Insert Cushion from the stroller seat.



How to care for and maintain your stroller

Store your stroller and accessories carefully

Store inside in a well-ventilated, dry area.

Do not store in a damp environment that is not well insulated (such as an unfinished basement or outdoor shed).

Store when dry, not damp or wet.

Store away from direct sunlight. Direct sunlight could cause fabric fading or damage.

Store away from carpet. Rubber on the wheels could leave marks on carpet.

Do not place heavy objects on top of your stroller or accessories.

NEVER allow your stroller to come into contact with corrosive substances.

Examples are battery acid or petroleum products. Corrosion is not covered under our warranty - see the **Warranty** in this Instruction Manual.

NEVER immerse or soak or spray your stroller with water. Water can damage the internal mechanisms of your stroller, including the brake system.

Clean your stroller carefully

Use a damp cloth to clean the seat fabric and/or sun canopy. To dampen a cloth, dip the cloth in a small amount of mild detergent diluted in water (such as laundry liquid).

NEVER fully soak the cloth in water.

NEVER clean any part of the stroller with abrasive, ammonia-based, bleach-based or spirit-based cleaners.

See care labels for specific instructions regarding machine washing.

Dry your stroller carefully

Dry the stroller thoroughly before storing it.

NEVER tumble dry any part of the stroller.

NEVER wring any stroller fabrics.

Replace damaged or worn wheels immediately

Stop using the stroller if any wheel becomes damaged or worn. Replace it immediately.

Check regularly for wear and tear

Check regularly for wear and tear on all stroller parts.

Get your stroller inspected regularly

Get your stroller inspected regularly to maintain it. Regular inspection ensures the locking devices are working correctly and essential components are secure. Please read **How to service your stroller** in this Instruction Manual.

Use your stroller in sunlight for short periods

Always park your stroller in a shaded area. Only use your stroller in direct sunlight for short periods. This will help reduce fabric fading and damage.

Read our Servicing Guide before using the stroller on the beach or near salt water

If you live within 3kms of the sea, take extra care to park/store your stroller indoors and away from wind. Salt water carries in strong winds and is extremely corrosive.

Do not use your stroller on the beach. Salt and moisture can damage moving parts. Even salty atmospheric conditions can affect the stroller's mechanisms.

If you use your stroller in coastal areas, please read **How to service your stroller in this Use & Care Guide.**

How to service your stroller

Just like your car, regular service extends the life of your Edwards & Co stroller.

Inspect your stroller at least once a month

We recommend that you fully inspect your stroller at least once a month.

Here are some helpful tips to inspect your stroller at home.

Inspect all the rivets and screws that connect your stroller together

- Make sure all rivets and screws are clean, tight and secure.
- If corrosion is forming on any rivet or screw: Wipe the rivet or screw with a damp cloth. Leave the rivet or screw to dry overnight. Spray a rag with some WD-40. This applies an extra coating over the rivets and screws to help protect against corrosion.

Inspect the wheels

- Remove the front and rear wheels.
- Wipe the wheels with a clean rag to remove any dirt, sand or other debris.
- Wipe out the wheel housing.
- Rear wheels only: Spray the wheel pins with some WD-40. Spraying will help to keep the wheel release mechanism operating smoothly.

Inspect the fold joints

- Make sure the fold joints are free of dirt and debris.
- Wipe the fold joints clean with a damp cloth.
- Clean the fold joints when the stroller frame is folded.
- Apply some WD-40 or silicone spray (available at Bunnings, Mitre 10 or your local supermarket) to the moving hinges.

Inspect the metal components to help prevent rust

- Wipe down the frame and wheel housing with a damp cloth if the stroller has been:
 - on a beach
 - in the rain
 - in windy and exposed areas.
- If you live or use the stroller within 3kms of the beach or sea: Spray a cloth with WD-40 and wipe down all screws and rivets. This applies an extra coating over the rivets and screws to help protect against corrosion. Repeat this process monthly.

WARNING: Do not use the stroller on the beach. Sand and salt will interfere with moving parts.

WARNING: Do not immerse or rinse your stroller with water. Water can damage the internal parts of your stroller, including the brake system.

Service your stroller at least once every 6 months

We recommend you get your stroller serviced at least once every 6 months.

To get your stroller serviced, contact us at hello@edwardsandcobaby.com

Our customer service team will offer assistance or make an appointment for you to visit our service team at our main office in Silverdale, Auckland.

We also host service days at retailers throughout New Zealand multiple times a year.

You will find the list of service days on our Events page within our website.

Warranty

All Edwards & Co products are guaranteed for two years from the date of shipping against defects in material and workmanship.

If we determine that the product has a manufacturing fault, we will repair or replace it free of charge to you. The decision to repair or replace is solely at the discretion of Edwards & Co Proof of purchase must be provided.

The warranty is “return to base” and not a free in-home service. This means the customer is responsible for any inwards freight charge to return the product to an Edwards & Co representative for warranty or service.

Our warranty excludes claims resulting from misuse, abnormal use, overloading, general wear and tear (including scratches), child outgrowing the product, not following instructions, transportation damage (including airline or freight damage), poorly maintained product, dropped goods, negligence, second-hand product, modified product, colour fading, over inflation, mould, damage to handle foam in use or fabric cuts and tears. Our warranty also does not cover tyre punctures or corrosion to frames or fasteners as a result of atmospheric or environmental conditions.

Any replacement will not give the right for the warranty period to be extended.

Edwards & Co does not cover warranty if the product has been purchased second hand or from an unauthorised reseller.

For the complete terms and conditions of our warranty, please visit our website — edwardsandco.nz/pages/warranty

Edwards & Co New Zealand

Unit 5
30 Foundry Road
Silverdale 0932
NEW ZEALAND

NZ: (09) 869 8950

hello@edwardsandcobaby.com

Edwards & Co Australia

952 Mt Alexander Road
Essendon
VIC 3040
AUSTRALIA

AU: (02) 9066 6702

Designed with love

Watch helpful
instructional videos



Come along on
the journey



Visit our comprehensive support centre online

edwardsandcobaby.zendesk.com/hc/en-us
