

EDWARDS & CO

Use + Care Guide

Newborn Insert Cushion

For Olive / Oscar M strollers

EC208-104

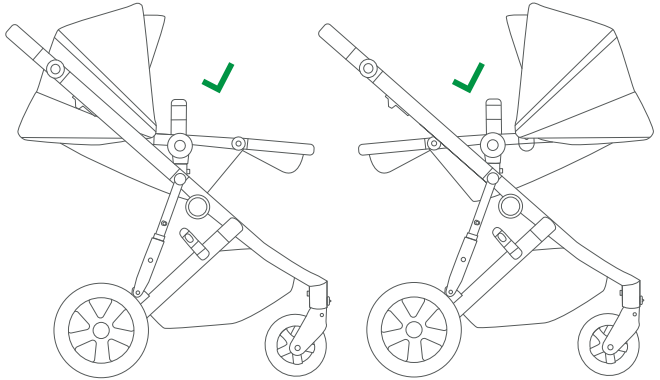


Attaching the Newborn Insert Cushion

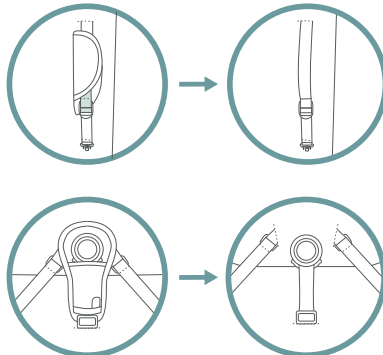
WARNING: This cushion is not a substitute for a bassinet or a bed. Never leave a baby asleep in the stroller unattended.

The Newborn Insert Cushion converts the seat unit into a surface approved for use with newborn babies.

The Newborn Insert Cushion is designed to use in the horizontal seat position.

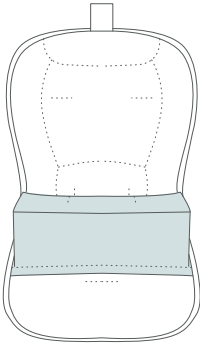


1. Remove the seat unit's shoulder pads and crotch pad.

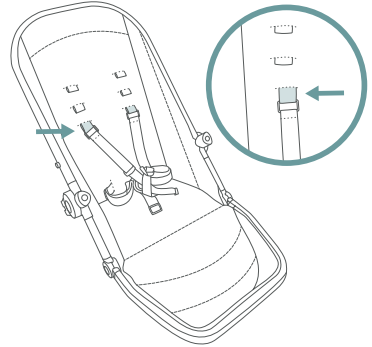


NEWBORN INSERT CUSHION - USE + CARE GUIDE

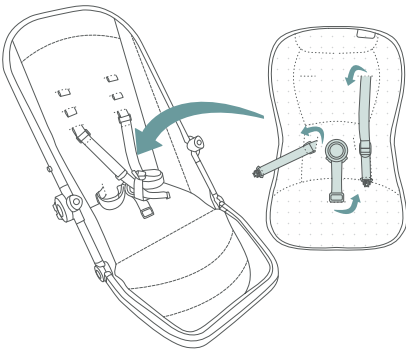
2. Check the lumbar wedge is in position in the back of the Newborn Insert Cushion.



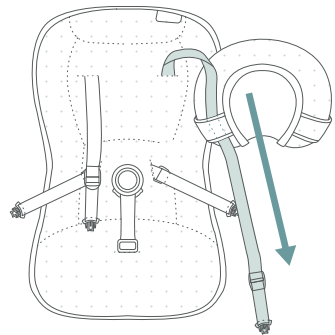
3. Ensure the shoulder strap height is at the lowest position.



4. Thread the shoulder, hip and crotch straps through the liner.

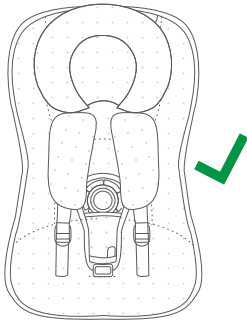


5. Guide the shoulder straps through the loops at the back of the head hugger.



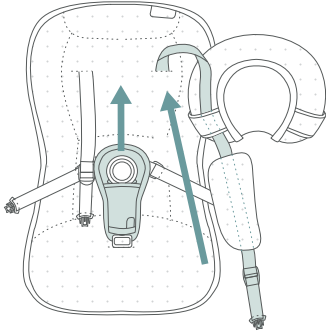
NEWBORN INSERT CUSHION - USE + CARE GUIDE

6. Thread each shoulder strap through the shoulder pads. Put the stroller crotch pad back onto the harness buckle.

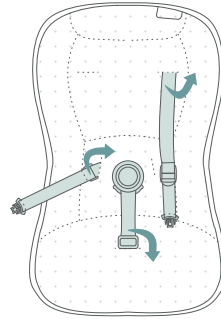


Removing the Newborn Insert Cushion

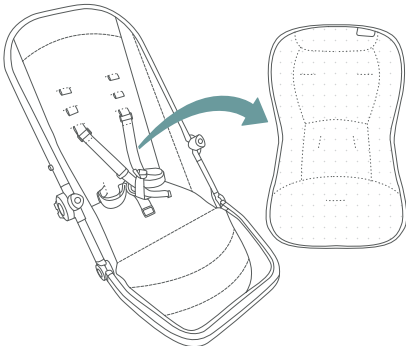
1. Remove the crotch pad from the harness buckle. Slide the shoulder pads off the shoulder straps. Remove the shoulder straps from the loops at the back of the head hugger.



2. Thread the harness buckle, hip and shoulder straps back through the liner.



3. Remove the Newborn Insert Cushion from the stroller seat.



Cleaning & care

Only use mild detergents.

Wash all parts on a gentle cycle, or hand wash, in warm or cold water. Water should not exceed 30 degrees celsius. Drip dry.

NEVER soak the Newborn Insert Cushion.

NEVER wring any fabrics.

NEVER tumble dry.

Dry thoroughly before storage.

To avoid losing parts, ensure all components are kept together when storing the Newborn Insert Cushion.

Store in a well-ventilated area, away from direct sunlight.

Warranty

All Edwards & Co products are guaranteed for two years from the date of shipping against defects in material and workmanship.

If we determine that the product has a manufacturing fault, we will repair or replace it free of charge to you. The decision to repair or replace is solely at the discretion of Edwards & Co Proof of purchase must be provided.

The warranty is “return to base” and not a free in-home service. This means the customer is responsible for any inwards freight charge to return the product to an Edwards & Co representative for warranty or service.

Our warranty excludes claims resulting from misuse, abnormal use, overloading, general wear and tear, child outgrowing the product, not following instructions, transportation damage (including airline or freight damage), poorly maintained product, dropped goods, negligence, second-hand product, modified product, colour fading, over inflation, mould, damage to handle foam in use or fabric cuts and tears. Our warranty also does not cover tyre punctures or corrosion to frames or fasteners as a result of atmospheric or environmental conditions.

Any replacement will not give the right for the warranty period to be extended.

Edwards & Co does not cover warranty if the product has been purchased second hand or from an unauthorised reseller.

For the complete terms and conditions of our warranty, please visit our website — edwardsandco.nz/pages/warranty

Edwards & Co New Zealand

Unit 5
30 Foundry Road
Silverdale 0932
NEW ZEALAND

NZ: (09) 869 8950

hello@edwardsandcobaby.com

Edwards & Co Australia

C/O - G&S Logistics
Unit 1, 96-112 Gow Street
Padstow NSW 2211
AUSTRALIA

AU: (02) 9066 6702

Designed with love

Watch helpful
instructional videos



Come along
on the journey



Visit our comprehensive support centre online

edwardsandcobaby.zendesk.com/hc/en-us