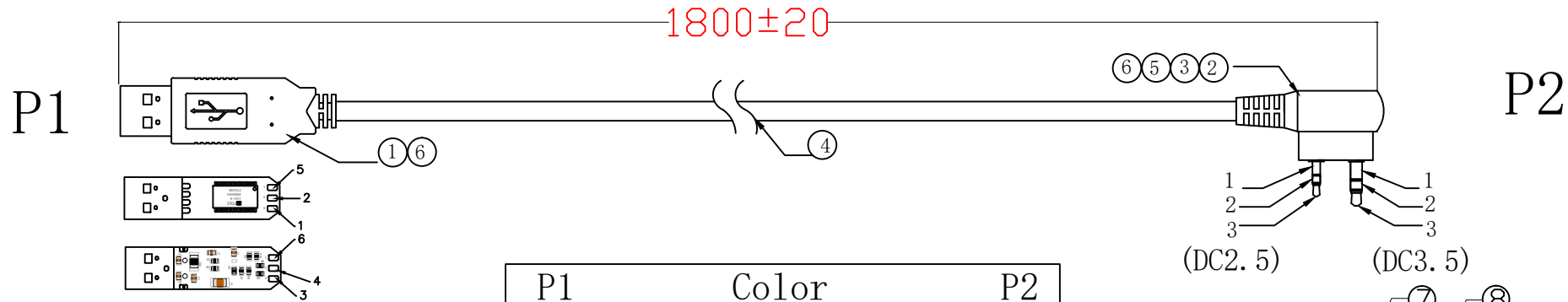
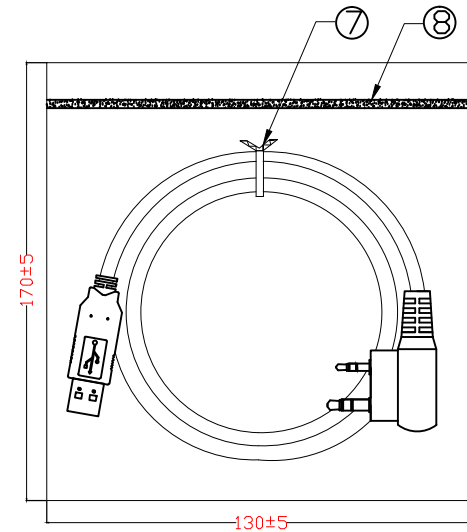


Compliant with RoHS

### 1. Process Length



P1	Color	P2
1	Black (GND)	(DC2.5) 1
4	White (TXD)	(DC3.5) 1
5	Green (RXD)	(DC2.5) 2



NO.	Name of Material	Usage
1	FT232RL PCBA Semi-product	1SET
	USB A Male solder Type Gold Flash Color white	
2	DC 3.5mm Stereo Mini Plug, Black, Gold plated	1PCS
3	DC 2.5mm Stereo Mini Plug, Black, Gold plated	1PCS
4	7/0.16*3C OD=5.0 L=1800MM black	1PCS
5	PE 7144	8g
6	45P Black PVC	20g
7	TIE 120MM	1PCS
8	PE Bag W:180MM L:120MM	1PCS

ITEM:  FTDI-USB-BOFG	Approval	Check	Drawer
			Jack
	Unit	Date	Horizon
MM	2018.04.04		A.0

