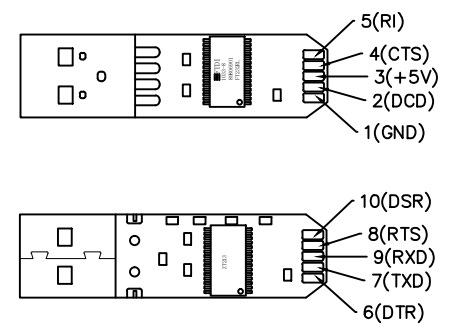
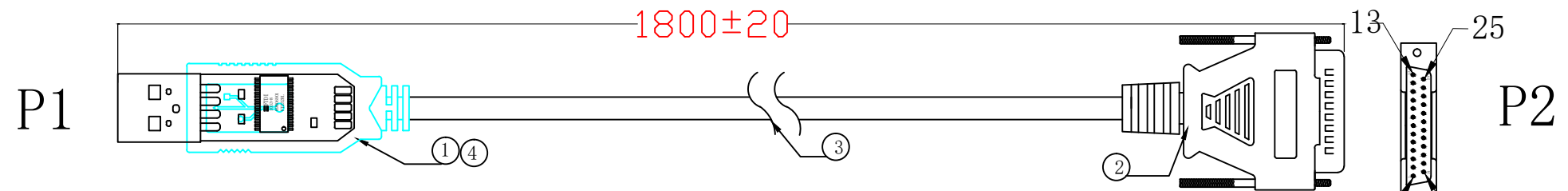


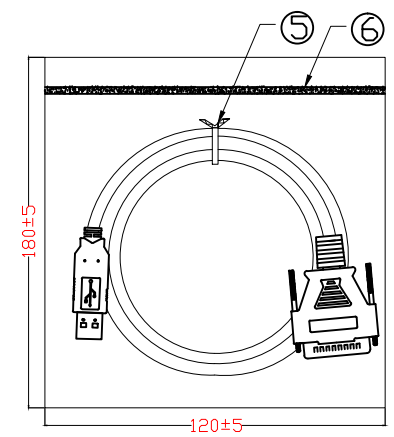
### 1. Process Length



### 2. Pin-out:

P1		P2
7	TXD	2
9	RXD	3
8	RTS	4
4	CTS	5
1	GND	7

### 3. Packaging:



1	FT232RL+ZT213 PCBA Semi-product	1SET
	USB A Male solder Type Gold Flash Color white	
2	DB25PIN	1SET
3	26AWG(7/0.16)*5C OD=5.0 L=1800MM Black	1PCS
4	45P transparent PVC	18g
5	Mini Tie, Color: Black, L=80mm	1PCS
6	PE Bag W:180MM L:120MM T:0.05MM	1PCS
NO.	Name of Material	Usage

ITEM:	Approval		Check		Drawer	
	USB RS232-DB25 Cable				Jack	
	Unit	Date	Horizon	Version		
MM	2017.12.05		A.0			