

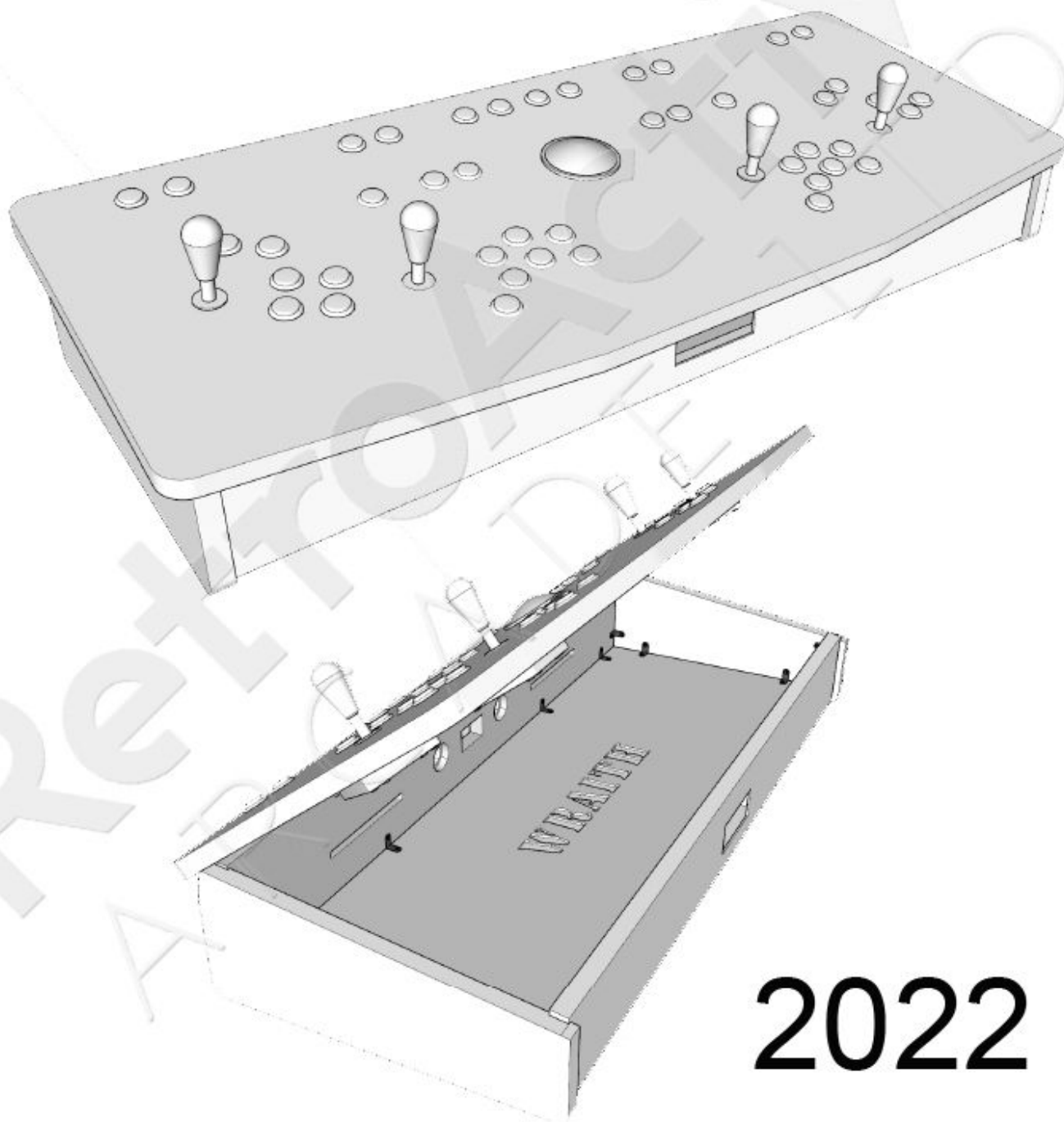


RetroActive
ARCADE LTD.

CUSTOM ARCADE DESIGN AND MANUFACTURING

LET THE GAMES BEGIN!

4 Player "Wraith" (DIY Arcade Control Panel Box) by Retro Active Arcade Ltd.



A Drill or Screwdriver with a Phillips (Star Head Bit)

Tools Needed:

2022



The “*WRAITH*” (Control Panel Box) “PARTS LIST”

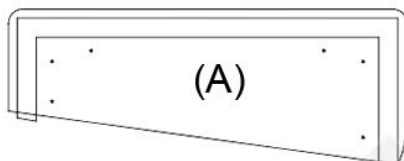
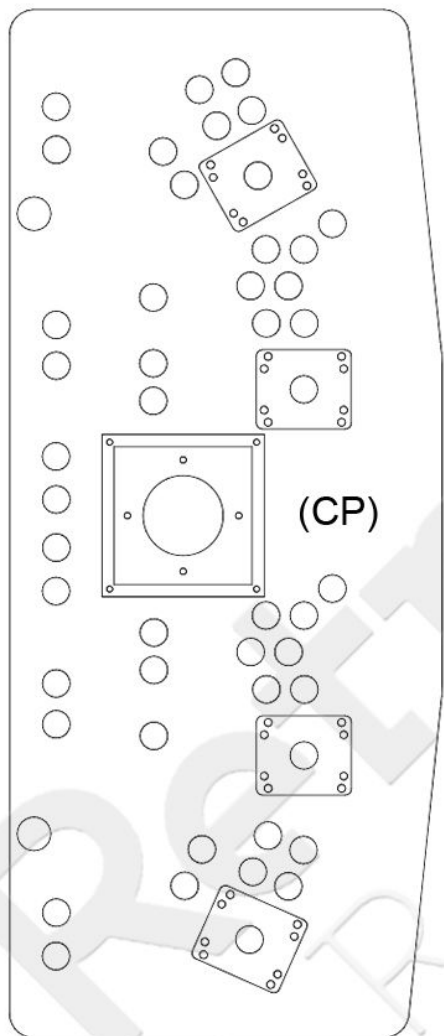


90° Clips X 20

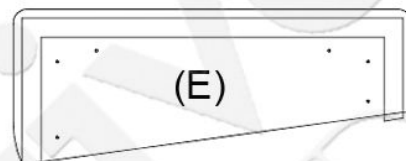


Screws X 40

CONTROL PANEL



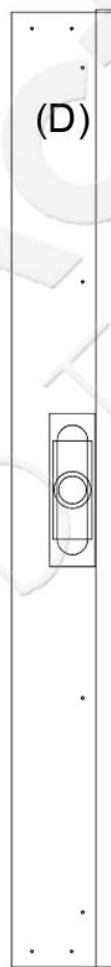
(A)



(E)



(C)



(D)



(B)

2022

Step #1:

“WRAITH”

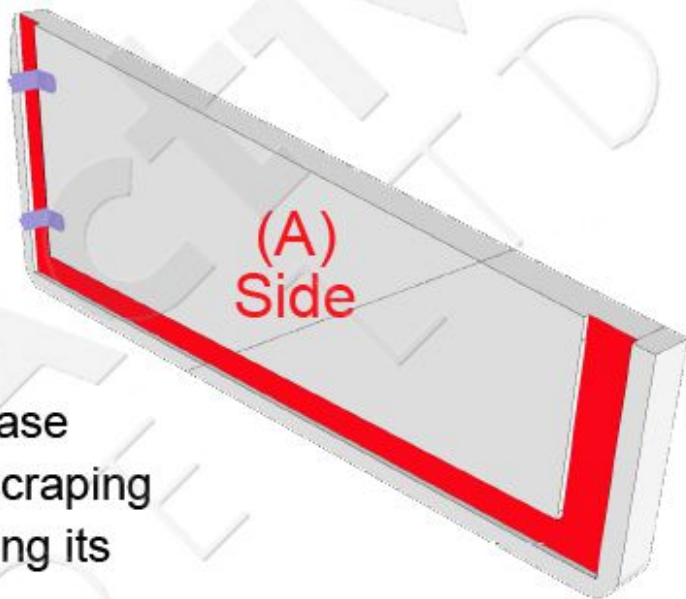
Places highlighted in **red** is where wood glue is applied.

Put wood glue provided in the groove shown in this diagram for pieces (A).

If they have a groove cut for T-Mold around the outer edge please make sure to protect that edge from scraping along hard surfaces or it may chip along its finished edge.

To accomplish this you must lay the piece labelled (A) on a flat hard surface facing down with the grooved side facing up. Make sure to protect the outside melamine coating from scratching. Be sure to have 2 clips and 4 screws handy to connect part (B) as shown in the picture above.

****NOTE** Do not do this on carpet or a blanket.
A table with cardboard will do fine.**



Step #2:

“WRAITH”

Cut-outs highlighted in red on side panel (A) in **Step #1** are the only places wood glue is to be applied. Make sure to spread the glue out to cover the whole surface area be for adding parts to the side panel.



Part (B) **RED** is to be added at this time. Make sure the wood glue is spread evenly in the groove on Part (A) before adding Part (B).

This will be a bit tricky to line up while holding part (B) and screwing in the brackets.

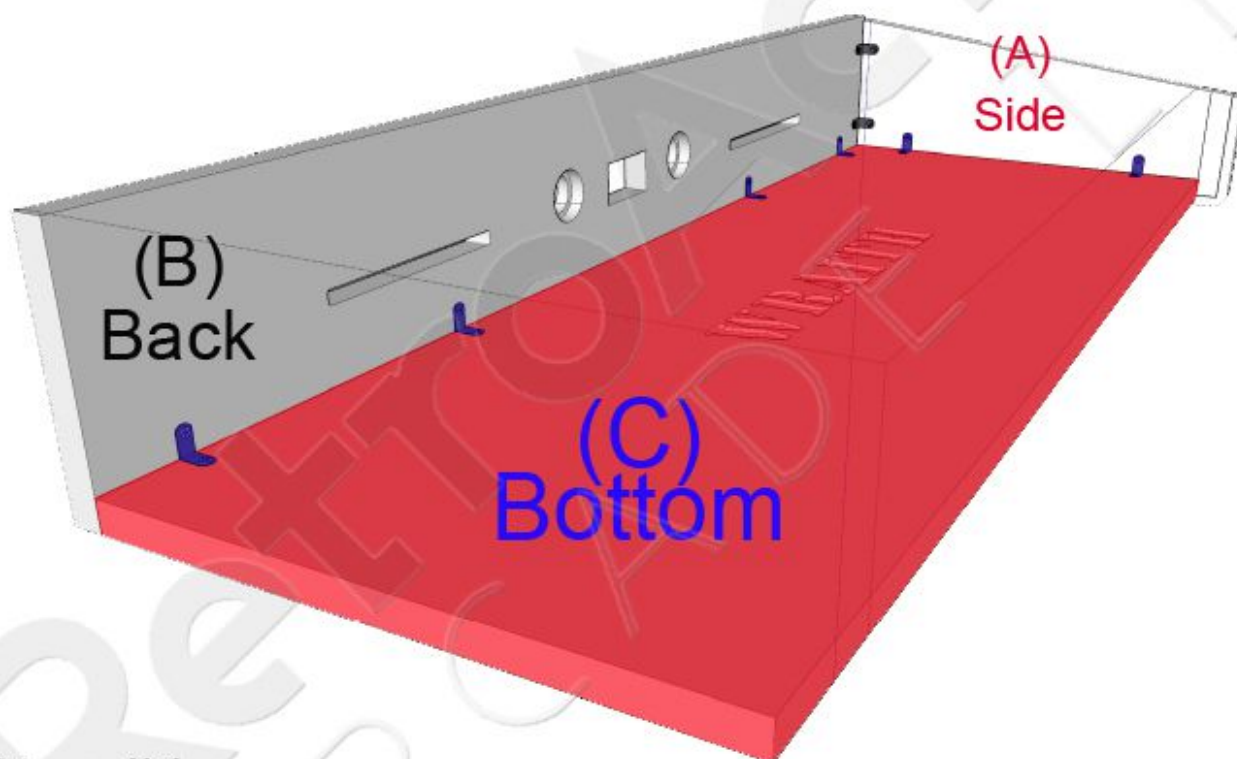
*****Hint***** *loosly screw in the brackets onto part (A) before inserting part (B).*



Step #3:

“WRAITH”

Spread glue along the bottom of part (B) where the finish has been removed exposing the raw wood. Now fit panel (C) in the bottom groove of Side panel (A) while also fitting the edge of panel (C) to the bottom of panel (A) as shown in the diagram below.



Step #4:

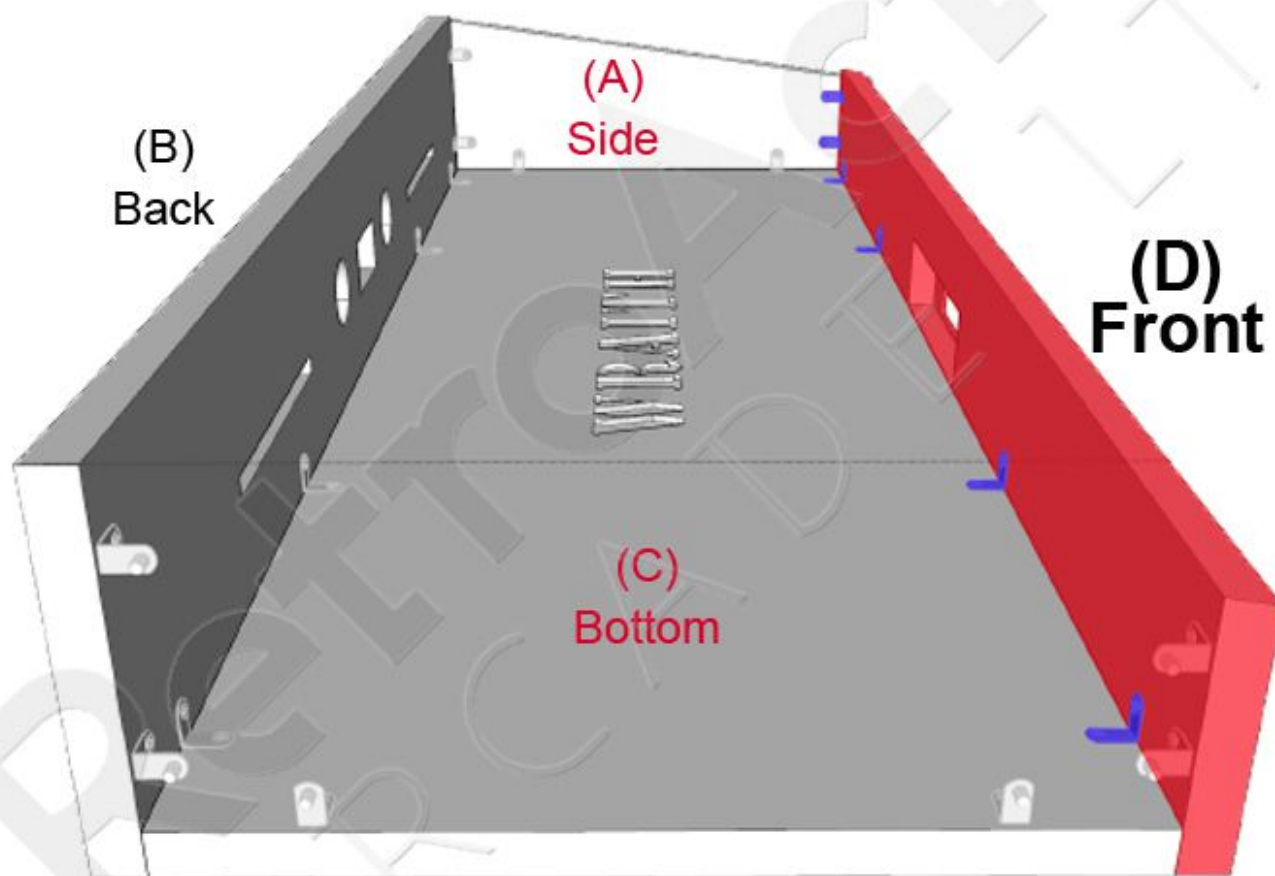
Use 6 clips as highlighted in purple to fasten in panel (C) securely. *****Hint*** pre-attach the clips loosely to panel (A) & (B) before positioning panel (C). Also be sure to get a tight snug fit before tightening your screws completely.**



Step #5:

“WRAITH”

Take part (D) and spread glue on the bottom inside of the part that has the finish removed exposing the raw wood the same as in the last step. Now place part (D) into the remaining groove area on part (A). Be sure to press part (D) to part (C) so that it is a flush fit before screwing them together with the clips.



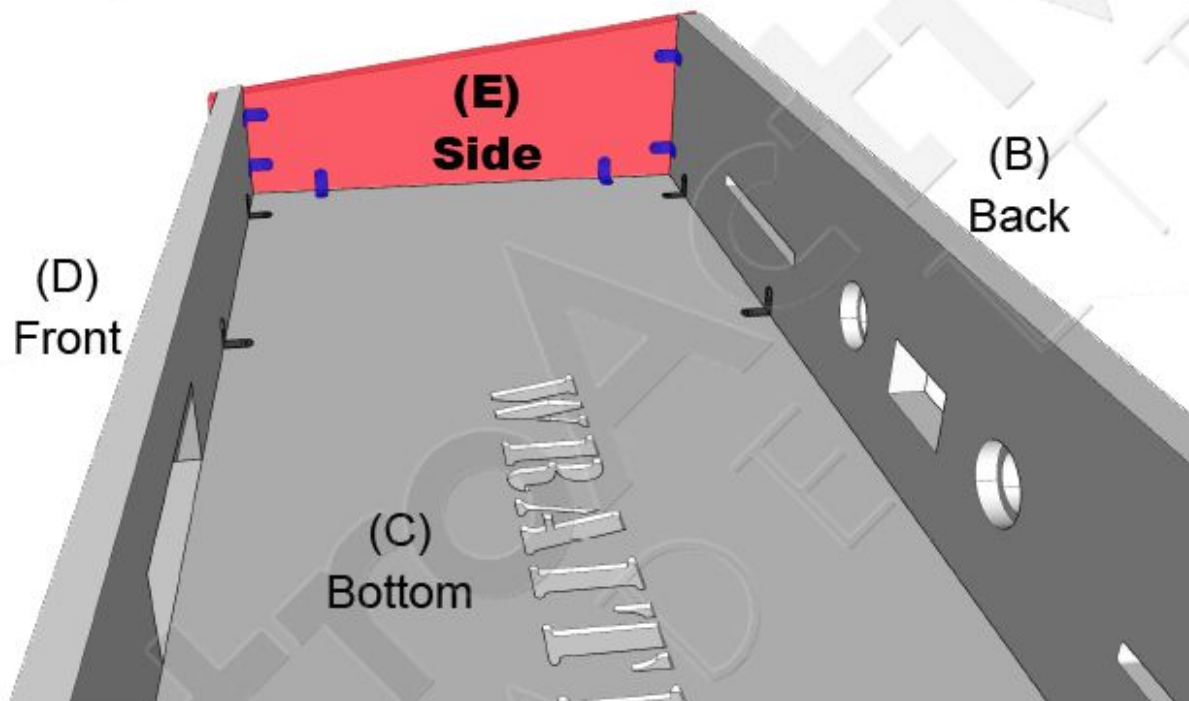
*****Hint***** As stated before pre-install the clips keeping the connection a bit loose so that you can adjust the pieces before tightening them permanently.



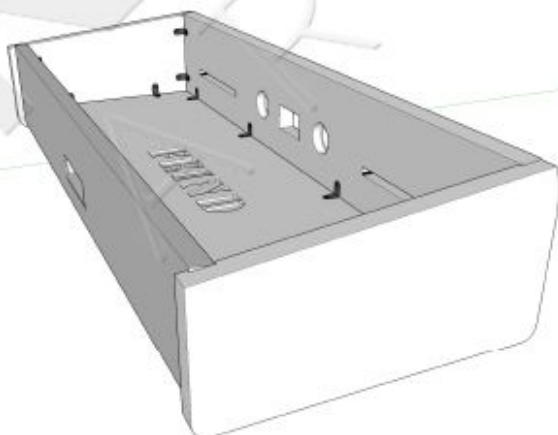
Step #6:

“WRAITH”

Apply glue evenly to part (E) side panel in the groove exactly as in step 1 and place on to the ends of part B,C & D at the same time.



*****HINT***** make sure to stand up the box on side (A) during this step. make sure all your pieces line up before tightening your clips. This the final step for the box. Your glue should not be dry at this time so you will be able to adjust your pieces to get them to fit tightly together. If they are not tight your box will not have much strength.



Your box should look like this when you are finished. The hinges that come with the kit have all hardware and instructions needed.