

A Guide to the Horn delivery service....

A brief explanation of how our delivery system operates:

Stock availability allowing & unless otherwise stated, all deliveries using our own vehicles will be carried out within a 28 working day period starting from the day of us receiving your order. This is not to be understood that the delivery will actually take place on the 28th day of your order, this period is only meant as a general guide and should be viewed as the length of time that your delivery might be, it may well be that it will take place sooner than this depending on when we are next in your area. Whatever period it is we will never arrive unannounced and will always give you notice of delivery by telephone usually giving a minimum of 3 days notice with not only the day of delivery but also with a 3 hour delivery slot on that day so as not to inconvenience you more than is needed. **With this, our standard service, we need your flexibility with time which is necessary to allow the delivery to take place with ease.** Some however may require a quicker delivery than this which can be offered by using a specialist outside carrier, but this will incur an extra charge (stock and the area that you live allowing) this can usually be made within a 7-10 day period from us receiving the order. Please note that there is no installation of your cabinet with this service as the delivery isn't made using our representatives, this also applies to any delivery made in Zone C of our map shown below. Contact us for more information on this service or for a tailored quote.

Please be aware that there is one driver to carry out the delivery and he/ she cannot be held under any obligation to take your cabinet upstairs. Any stairs mounted are wholly at the driver's discretion. If you'd like a more personalised answer you can email us photographs of your staircase and we'll be able to tell you more definitely if it's possible or not. When mounting any steps or stairs the cabinet can only be taken up in its box which prevents damage to the unit and to your property. If you can make sure that your stairs are cleared and free of any obstructions for our delivery driver to carry out the task. Please also note that due to weight and size it is not possible for our driver to take the SUPER Q (2052) or Maxi Hobby table (2005) up any internal stairs.

HORN.... Exceptional delivery & installation service; ask any existing Horn customer and they will have only praise for our service or take a look at our reviews on our website.



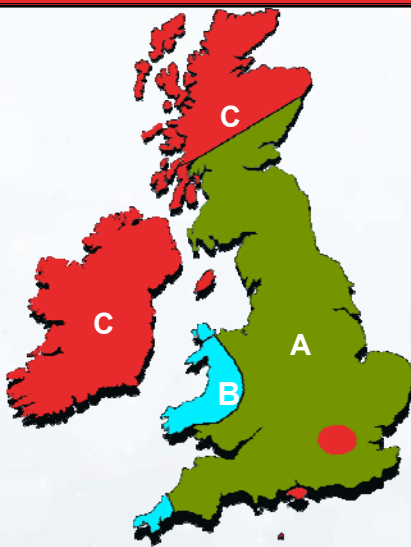
Zone A £29.00

Zone B £39.00

The Zone B charge in Cornwall applies south of the A3058, St. Austell to Newquay Road

Zone C Price on request

We cannot offer our installation service in these areas as deliveries are usually carried out by outside carriers



The Zone C charge in London applies to an address inside the Congestion charge zone

Dealer Stamp

To find out where your nearest Horn outlet is or for more product information please contact:

Horn Furniture (UK) Limited,
Unit 12, Oaktree Business Centre,
Spitfire Way, South Marston Park,
Swindon, SN3 4TX.



Tel: (+ 44) 01793 834304
Email: info@hornfurniture.co.uk
Web: www.hornfurniture.co.uk

We reserve the right to change the construction, the measures, the colour and the design. All measurements are approximate & accessories are not included. The colours and veins of finishes are subject to technical alteration and deviations, the colours in this brochure are only meant as a guide, accuracy can't be guaranteed. Beech, White, American Grey Oak & Weathered Oak finished units are the same colour inside & out but other finishes have a cream effect interior- if in doubt please request a sample.



Horn

Crafting... Quilting... Sewing
Furniture

www.hornfurniture.co.uk

New

3 super new units,
Take a look inside!

*Quality furniture made for the discerning
Sewers, Quilters & Crafters amongst you
and a service that's second to none!*



2022

Please take look at the back page for information on our delivery service and the inside back cover for details on how to order a new inset/ insert for your existing Horn sewing cabinet.

The Horn SUPER Q

- this will answer all your needs- a truly fabulous unit!



The SUPER Q - Closed down (with hole filler piece in place)



Showing the back work area up - rigid stability on the 2 supporting legs!



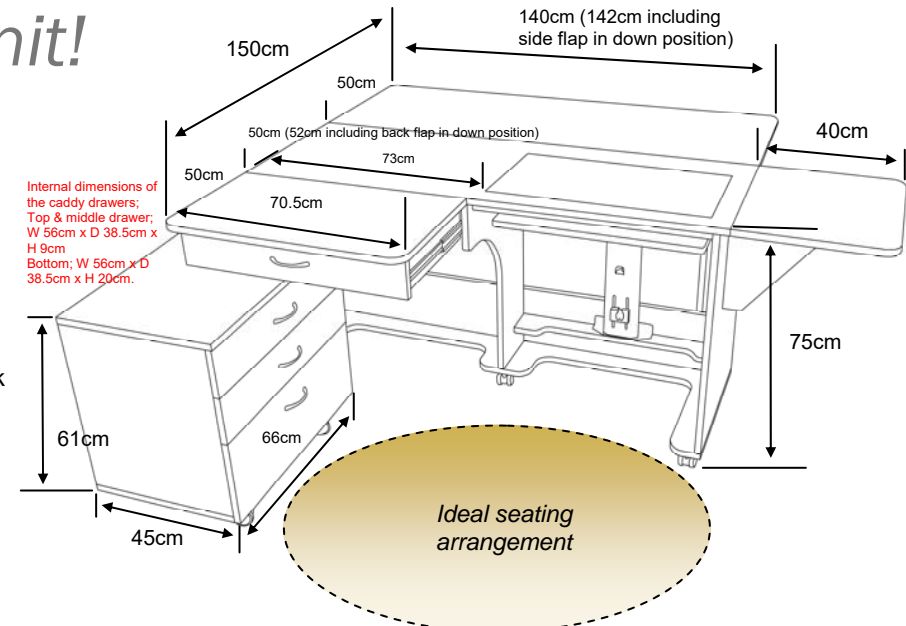
Showing the back work surface down



INCLUDED- a slot in filler piece for the top drawer that gives even greater supported work area but more importantly can also be removed if you want to give yourself greater seating space.



- Fitted with our Maxi-lifter domestic sewing machine opening (type 1942) which is capable of taking virtually all on the market old or new!
- This model arrives fitted with our 3 step push down release air-lift mechanism which means a quick push down moves your machine from storage to flatbed to free-arm positions.
- A huge bank of large drawers. One in the main unit and 3 on a mobile separate unit wherever is best in relation to your project at that particular time.
- Supplied with a slot in filler area but can also be removed if you want to give yourself greater seating space.
- A huge work area at the back of the machine which prevents the needle drag that can happen with large projects. It which lifts up easily when needed and down when not (so it doesn't have to be open all the time). It has a very sturdy gate leg design which is perfect for quilters/ Patchworkers in mind but is ideal for all sewing projects.
- Slot in filler for above the machine when its away to give a large work area.
- One acrylic inset plate cut to fit your sewing machine is included with this model.
- Arrives fully assembled. No having to assemble it yourself!



CLOSED - WIDE 128cm (56") DEEP 52cm inc. drop leaf back (20 1/2") HIGH 75cm (29 1/2")

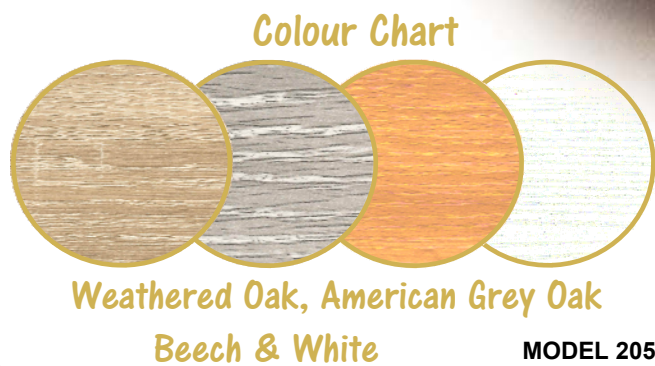
The SUPER Q is pictured here in our Weathered Oak finish



Fitted with our 'inset' design where the inset sits inside the aperture on a ledge thus giving an even flusher, smoother, sturdier surface from table top to machine arm.... You'll love it!



The SUPER Q comes with a huge bank of drawers which allows everything to be close to hand also the separate drawer unit is completely independent of the main unit allowing it to be moved away and positioned wherever you like.



Fitted with our Horn Maxi air-lifter! (Type 1942) This unit gives a better seating position for the longer armed sewing machines out there—such as the Pfaff Icon, Bernina 700 & 800 series, Brother V series, Janome Horizon Range and Husqvarna Epic's amongst others but its not just for larger machines its also ideal for all normal sized domestic sewing machines too!

(Take a look at page 34 to see how our air-lift works)

MODEL 2052 Price includes one flatbed inset (The Cutting mat shown is an optional extra - see page 33)

See more on this model by viewing the video on our website

PLEASE NOTE: Depending on your stairs and due to its size we must advise you that this cabinet maybe too big to be taken up an internal staircase by our driver. If you have any doubts please contact us to check for more information before purchasing.

**The
QUILTER'S
DELIGHT Mk2**

- a uniquely designed Quilting table..... for you & your sewing machine!

Huge working area when your machine is away and the back area is up



The QD2 - Closed down (with hole filler piece in place)

Fitted with our 'inset' design where the inset sits inside the aperture on a ledge thus giving an even flusher, smoother, sturdier surface from table top to machine arm.... You'll love it!



INCLUDED- the QD2 is automatically supplied with a filler piece which fills in the hole left when your machine is stored away, so with the back area up it will create a large solid cutting area.



The QD2 - showing the back work surface down



The QD2 - with the back work area up - rigid stability on the 2 supporting legs!

The QD Mk2 is pictured here in our new American Grey finish

You can add to your storage with our Rolla storage unit



INCLUDED- a handy mobile set of drawers which when stored sits tidily inside the main table, so reducing its floor space, but when pulled out to be used it can be moved to any position best suited for you.



- Fitted with our Maxi-lifter opening (type 1942) which is capable of taking virtually all domestic sewing machines on the market old or new!
- This model arrives fitted with our 3 step push down release air-lift mechanism which means a quick push down moves your machine from storage to flatbed to free-arm positions.
- A Handy set of mobile drawers are included, that can be positioned where ever is best in relation to your project at that particular time.
- A large work area at the back of the machine which prevents the needle drag that can happen with large projects. It lifts up easily when needed and down when not (so it doesn't have to be open all the time). It has a very sturdy dual gate leg design with Quilters/ Patchworkers in mind but is ideal for all sewing projects.
- Slot in filler for above the machine when its away. This gives you a large area to cut out, piece on etc...
- An acrylic flatbed inset plate is supplied with this model, cut to fit your sewing machine.
- Available in 4 great finishes.
- Arrives fully assembled... no having to assemble it yourself!

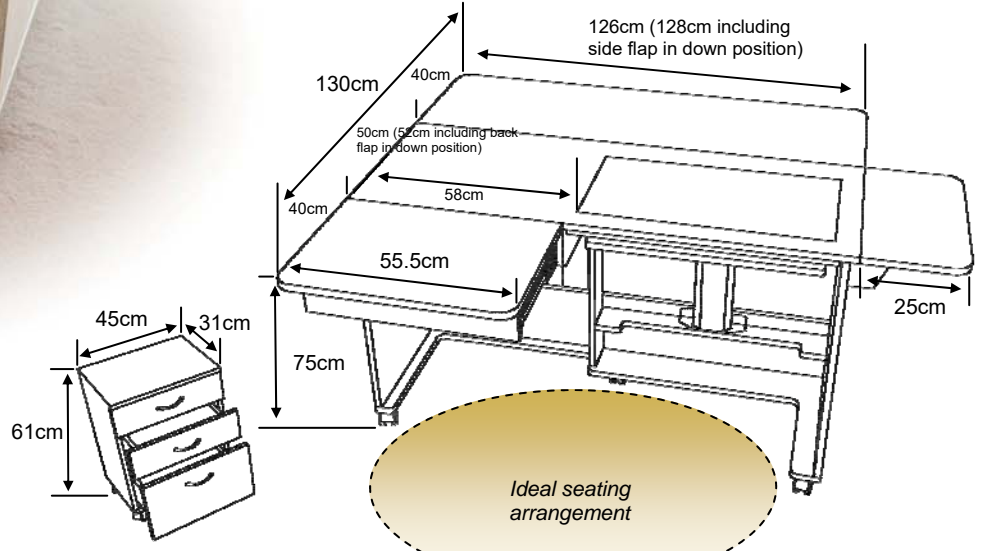


Colour Chart

Weathered Oak, American Grey Oak
Beech & White

Fitted with our Horn Maxi air-lifter! (Type 1942) Able to fit the larger, longer armed sewing machines- such as the Bernina 700 series, Brother V Series Janome Horizon Range amongst others but its not just for larger machines its also ideal for all normal sized domestic sewing machines too! (Take a look at page 34 to see how the air-lift works)

See more on this model by viewing the video on our website



CLOSED - WIDE 128cm (50½") DEEP 52cm inc. drop leaf back (20½") HIGH 75cm (29½")

Please note that this cabinet is very big and any stairs mounted will be at the driver's discretion

MODEL 2032 Price includes one flatbed inset (The Cutting mat shown is an optional extra - see pg.33)

The *New* Horn ECLIPSE XL!

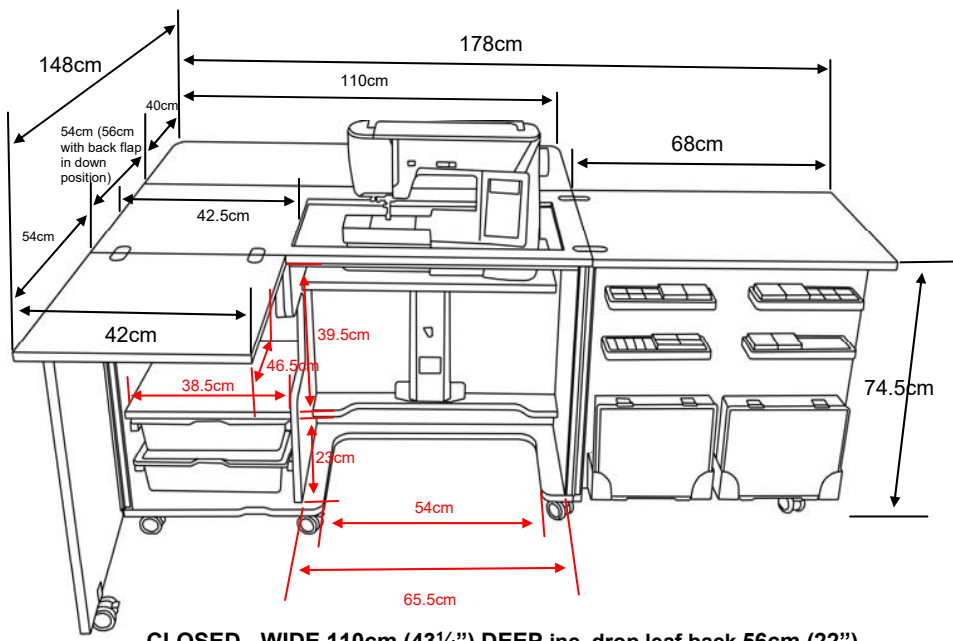
- Our most popular cabinet just got better!



Fitted with our 'inset' design where the inset sits inside the aperture on a ledge thus giving an even flusher, smoother, sturdier surface



NEED MORE STORAGE? You can add a Rolla storage unit to match in with his model!



CLOSED - WIDE 110cm (43 1/4") DEEP inc. drop leaf back 56cm (22") HIGH 76cm (30")



This shows the back work surface down



Showing the back work area up - rigid stability on the 2 supporting legs!

- Fitted with our Maxi-lifter opening (type 1942) which is capable of taking virtually all domestic sewing machines on the market old or new!
- This model arrives fitted with our 3 step push down release air-lift mechanism which means a quick push down moves your machine from storage to flatbed to free-arm positions.
- Transparent door storage bins that are removeable if needed and recessed under the lid by means of a specially constructed angled door system that not only gives greater support to the lid but also allows your fabric to drape down without catching or disturbing the door bin contents.
- A sturdy supported work area at the back of the machine which prevents the needle drag that can happen when sewing large projects. This will help ease stress on your neck and shoulders when sewing large projects for long periods of time. It lifts up easily when needed and down when not (so it doesn't have to be open all the time) and takes very little space when its down. It has a very sturdy double gate leg design to give maximum support,
- Stores both a sewing machine and an overlocker, or maybe a second smaller portable machine if you prefer.
- New extra support arm for the left hand work area.
- Hides both your machines away in a beautiful cabinet. No one would ever know.
- An acrylic flatbed inset plate is supplied with this model, cut to fit your sewing machine.
- Available in 4 great finishes.
- Arrives fully assembled... no having to assemble it yourself!



See more on this model by viewing the video on our website



The ECLIPSE XL - Conveniently compact closed. Shown here in our American Grey Oak finish.



NEW... Extra support arm for the right hand work surface

Fitted with our Horn Maxi air-lifter! (Type 1942) Able to fit the larger, longer armed sewing machines—such as the Pfaff Icon, Bernina 700 & 800 series, Brother V series, Janome Horizon Range and Husqvarna Epic's amongst others but its not just for larger machines its also ideal for all normal sized domestic sewing machines too! (Take a look at page 34 to see how our air-lift works)

Colour Chart

Weathered Oak, American Grey Oak
Beech & White

The new ECLIPSE XL is pictured above in our new American Grey finish

The *New* Horn NOVA XL!

- Compact and capable of storing both your machines!

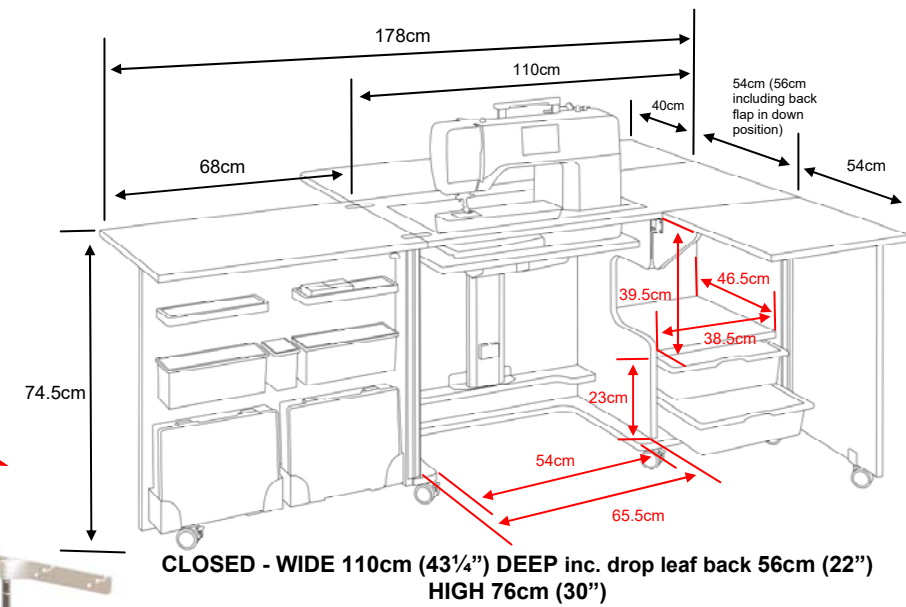


The new NOVA XL - a view from the top!
This also shows the great working area including the new back support

Fitted with our 'inset' design where the inset sits inside the aperture on a ledge thus giving an even flusher, smoother, sturdier surface from table top to machine arm.... You'll love it!

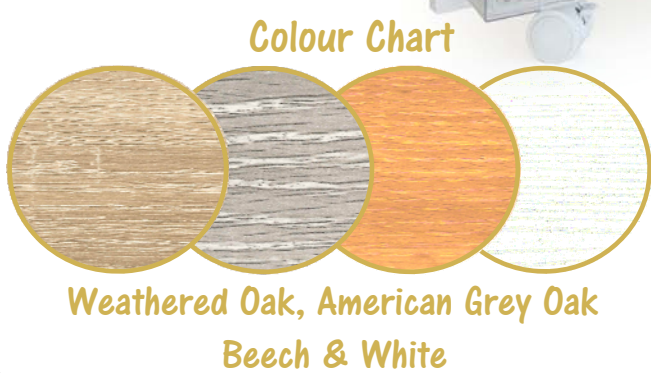


New



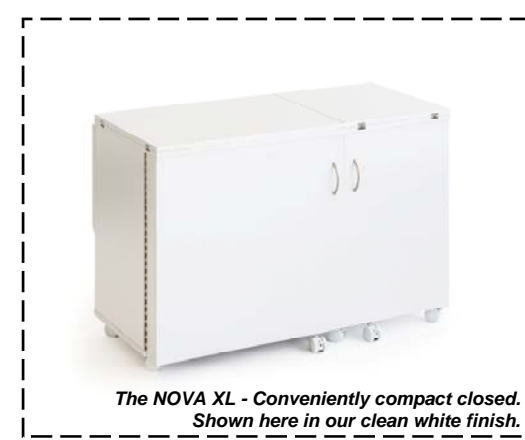
- Fitted with our Maxi-lifter opening (type 1942) which is capable of taking virtually all domestic sewing machines on the market old or new!
- This model arrives fitted with our 3 step push down release air-lift mechanism which means a quick push down moves your machine from storage to flatbed to free-arm positions.
- Transparent door storage bins that are removeable if needed and recessed under the lid by means of a specially constructed angled door system that not only gives greater support to the top but also allows your fabric to drape down without catching or disturbing the door bin contents.
- New to this model is a sturdy supported work area at the back of the machine which prevents the needle drag that can happen when sewing large projects. This will help ease stress on your neck and shoulders when sewing large projects for long periods of time . It lifts up easily when needed and down when not (so it doesn't have to be open all the time) and takes very little space when its down. It has a very sturdy double gate leg design to give maximum support,
- Stores both a sewing machine and an overlocker, or maybe a second smaller portable machine if you prefer.
- New extra support arm for the right hand work area.
- Hides both your machines away in a beautiful cabinet. No one would ever know.
- An acrylic flatbed inset plate is supplied with this model, cut to fit your sewing machine.
- Available in 4 great finishes.
- Arrives fully assembled... no having to assemble it yourself!

NEED MORE STORAGE?
You can add a Rolla storage unit to match in with his model!



NEW... Extra support arm for the right hand work surface

Fitted with our Horn Maxi air-lifter! (Type 1942)
Able to fit the larger, longer armed sewing machines—such as the Pfaff Icon, Bernina 700 (pictured) & 800 series, Brother V series, Janome Horizon Range and Husqvarna Epic's amongst others but its not just for larger machines its also ideal for all normal sized domestic sewing machines too!
(Take a look at page 34 to see how our air-lift works)



The new NOVA XL is pictured above in our clean white finish

MODEL 2072 Price includes one flatbed inset (The Cutting mat shown is an optional extra - see page 33)

The GEMINI XL!

- Our most compact cabinet that will fit the largest Machines!



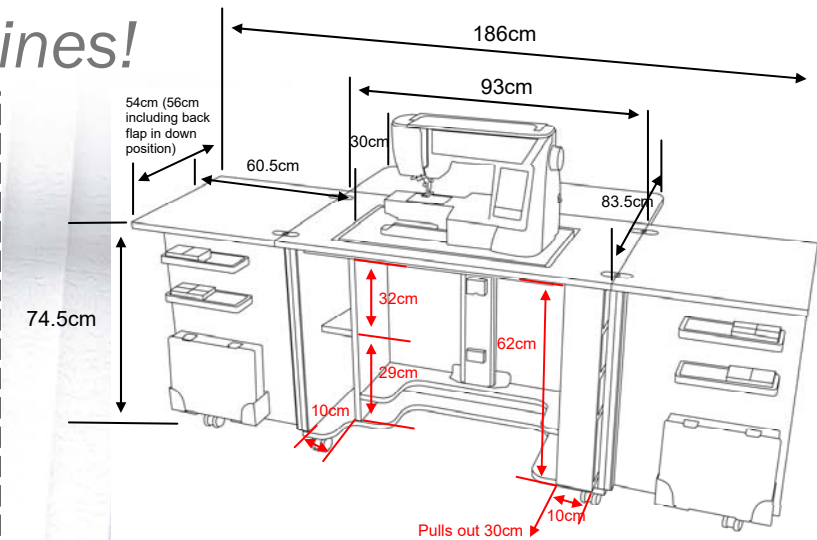
The GEMINI XL— Still so compact!
Pictured here in our Weathered Oak finish



Fitted with our 'inset' design where the inset sits inside the aperture on a ledge thus giving an even flusher, smoother, sturdier surface from table top to machine arm.... You'll love it!



Fitted with a handy supported back work area



CLOSED - WIDE 93cm (36½") DEEP inc. drop leaf back 55.5cm (22")
HIGH 76cm (30")

Everything the Gemini offers and more;

- More storage
- More work space
- Ability to take larger machines
- And still compact
- Fitted with our Maxi-lifter opening (type 1942) which is capable of taking virtually all domestic sewing machines on the market old or new!
- This model arrives fitted with our 3 step push down release air-lift mechanism which means a quick push down moves your machine from storage to flatbed to free-arm sewing positions.
- A work area at the back of the machine which prevents the needle drag that can happen with larger projects. Lifts up easily when needed and down when not (so it doesn't have to be open all the time). It has a very sturdy gate leg design with Quilters/ Patchworkers in mind but is ideal for all sewing projects.
- Unique, convenient slide-out extra storage idea.
- Shut the doors and it hides your machine away in a beautiful cabinet. No one would ever know.
- An acrylic flatbed inset plate is supplied with this model, cut to fit your sewing machine.
- Available in 4 great finishes.
- Arrives fully assembled... no having to assemble it yourself!

NEED MORE STORAGE?
You can add a Rolla storage unit to match in with his model!

One of our smallest units to be fitted with our Horn Maxi air-lifter! (Type 1942)

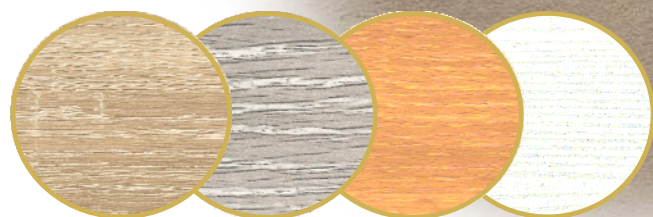
Able to fit the larger, longer armed sewing machines—such as the Pfaff Icon, Bernina 700 & 800 series, Brother V series, Janome Horizon Range and Husqvarna Epic's amongst others but its not just for larger machines its also ideal for all normal sized domestic sewing machines too!
(Take a look at page 34 to see how our air-lift works)



Extra Stowage!- Unique space saving slide-out storage idea

See more on this model by viewing the video on our website

Colour Chart



Weathered Oak, American Grey Oak
Beech & White

The Gemini XL is pictured above in our Weathered Oak finish

MODEL 2012 Price includes one flatbed inset (The Cutting mat shown is an optional extra - see pg.33)

The GEMINI

- a super compact Sewing / Quilting station

See more on this model by viewing the video on our website

So Compact!

NEED MORE STORAGE? You can add a Rolla storage unit to match in with his model!



The GEMINI - pictured here in Beech- is fitted with the excellent recessed door design and handy easy up compact back flap!



The Gemini offers' great value for money!

Only needs 2 1/2 ft by 1 1/2 ft floor space when closed

- Now fitted with our new flush inset style template (type 1992). This cabinet has our Long sized opening which is capable of taking many types of sewing machine but not all of them, more particularly for the larger newer domestic sewing machines available today you may need to look from the Gemini XL up. Give us a call if you'd like to check for sure if your sewing machine fits this model.
- 3 step push down release air-lift mechanism means a quick push down moves your machine from storage to flatbed to free-arm sewing positions.
- Transparent door storage bins that are removeable if needed and recessed under the lid by means of a specially constructed angled door system that not only gives greater support to the top but also allows your fabric to drape down without catching or disturbing the door bin contents.
- A work area at the back of the machine which prevents the needle drag that can happen with large projects. Lifts up easily when needed and down when not (so it doesn't have to be open all the time). It has a very sturdy gate leg design with Quilters/ Patchworkers in mind but is ideal for all sewing projects.
- Shut the doors and it hides your machine away in a beautiful cabinet. No one would ever know.
- An acrylic flatbed inset plate is supplied with this model, cut to fit your sewing machine.
- Available in 4 great finishes.
- Arrives fully assembled... no having to assemble it yourself!

New

Now fitted with our flush inset style fitting and also now deeper giving more leg room, stability and work area

Fitted with our longer air-lifter and now as a flush inset style (New type 1992)

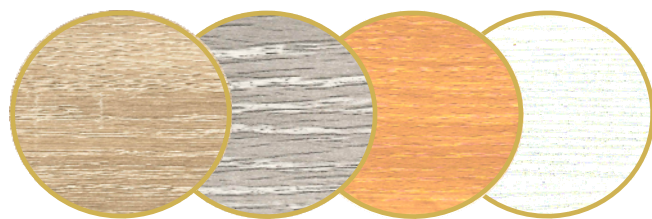
(Take a look at page 34 to see how the air-lift works)

Fitted with our 'inset' design where the inset sits inside the aperture on a ledge thus giving an even flusher, smoother, sturdier surface from table top to machine arm.... You'll love it!

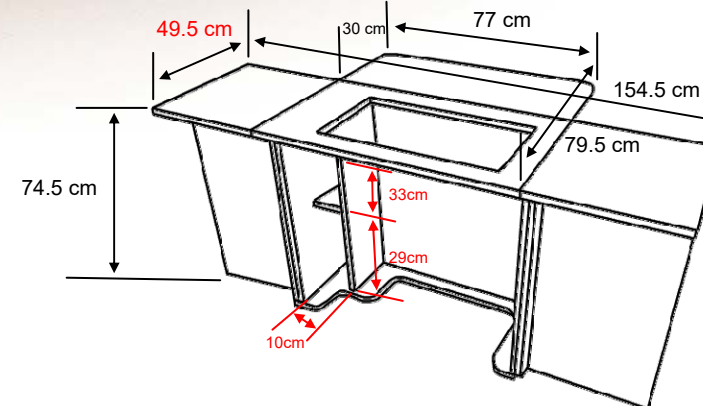


The Gemini is pictured above in our new American Grey finish

Colour Chart



Weathered Oak, American Grey Oak
Beech & White



CLOSED - WIDE 77cm (30 1/4") DEEP 51.5cm (20 1/2") inc. drop leaf back HIGH 76cm (30")



The GEMINI - Super compact closed, here in our clean white finish.

MODEL 2011 Price includes one flatbed insert (The Cutting mat shown is an optional extra - see pg.33)

The CUB plus

- the super compact Cub's still as popular as ever!

New
 Now fitted with our flush inset style fitting and also now deeper giving more leg room, stability and work area

Fitted with our 'inset' design where the inset sits inside the aperture on a ledge thus giving an even flusher, smoother, sturdier surface from table top to machine arm.... You'll love it!

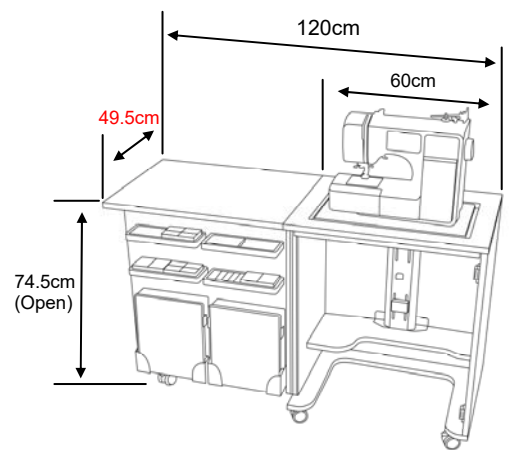


NEED MORE STORAGE?
 You can add a Rolla storage unit to match in with his model!



The CUB plus pictured here in weathered oak with the matching Rolla storage unit along side.

See more on this model by viewing the video on our website



CLOSED - WIDE 60cm (23 3/4") DEEP 49.5cm (19 1/2") HIGH 76cm (30")

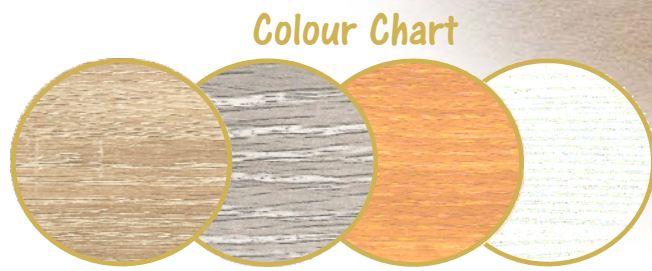


- Now fitted with our new flush inset style template (type 1972). This cabinet has our standard sized opening which is capable of taking many types of sewing machine but not all of them, more particularly for the larger newer domestic sewing machines available today you may need to look from the Gemini up. Give us a call if you'd like to check for sure if your sewing machine fits this model.
- 3 step push down release air-lift mechanism means a quick push down moves your machine from storage to flatbed to free-arm sewing positions.
- Door storage bins are recessed under the lid by means of a specially constructed angled door system this allows your fabric to drape down without catching or disturbing the door bin contents.
- Shut the doors and it hides your machine away in a beautiful cabinet. No one would ever know.
- Available in 4 great finishes.
- Arrives fully assembled... no having to assemble it yourself!

SO COMPACT!
 Only 2 ft by 1 1/2 ft when closed



The CUB plus is super compact shown here in Beech



Weathered Oak, American Grey Oak
 Beech & White

This is our standard size opening
 Now made to fit the flush inset style (New Type 1972)

(Take a look at page 34 to see how the air-lift works)

The CUB plus is pictured here in our classy Weathered Oak finish

ROLLA STORAGE

- add more storage to your existing cabinet!



The Rolla storage is so compact and neat...

- Compact and easily mobile on 5 large lockable castors.
- 270° door hinges which allow the door to fold conveniently out of the way when its open.
- Robust removable translucent storage trays, ideal to be taken to where you need to work.
- Solid, sturdy & quality construction.
- Made to match in with our current range but will compliment any existing Horn cabinet.
- Arrives fully assembled- so no having to assemble yourself.
- The cabinet is beautifully finished front to back, inside and out.
- Made to match in with the height of a Horn cabinet when its open so creating a handy, level & increased work area.

See more on this model by viewing the video on our website



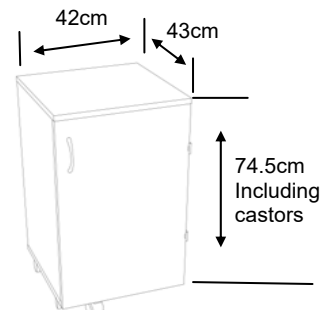
The Rolla Storage closed is compact enough to fit in anywhere.



The Rolla storage will sit happily either side of your existing Horn sewing cabinet or have 2..... one for either side of your cabinet. You've plenty of storage now!



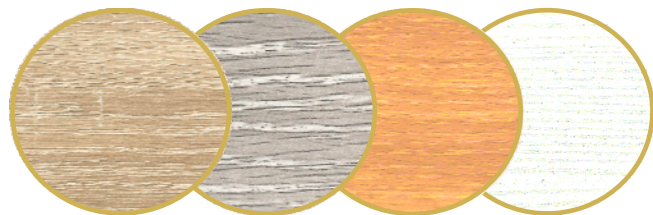
Or perhaps it could be used to store your overlocker...



CLOSED - WIDE 42cm (16½") DEEP 43cm (16¾") HIGH 74.5cm (29")

MODEL 906 shown in our clean white finish

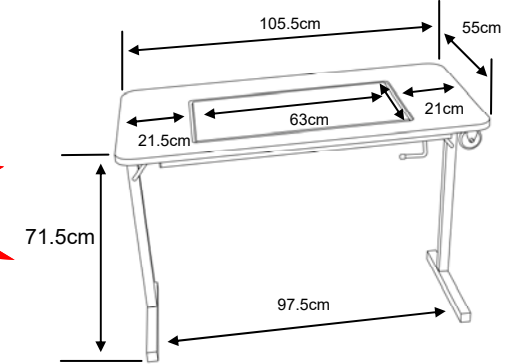
Colour Chart



Weathered Oak, American Grey Oak
Beech & White

New Hide-away Mk2

- Get mobile with our new Hide-away Mk2!



CLOSED - WIDE 105cm (41½") DEEP 55cm (21½") HIGH 11.5cm (4½")

Fitted with our 'inset' design where the inset sits inside the aperture on a ledge thus giving an even flusher, smoother, sturdier surface from table top to machine arm.... You'll love it!



I'm weigh only 14kg's!

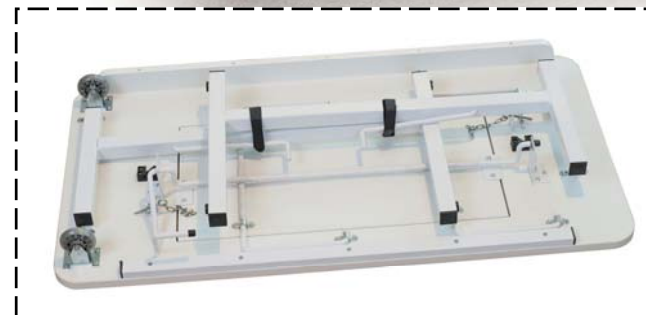


See more on this model by viewing the video on our website

Sturdy open leg construction



Manufactured with our flush maxi-inset style fitting (1952)



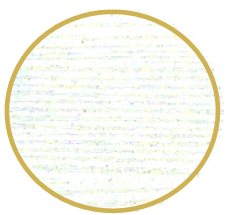
The Hide-away Mk2 folds down quickly & easily allowing it to be portable and to store in any convenient household location or taken with you to a friend's house, club or class perhaps?

Price includes one flatbed inset, cut to fit your sewing machine.



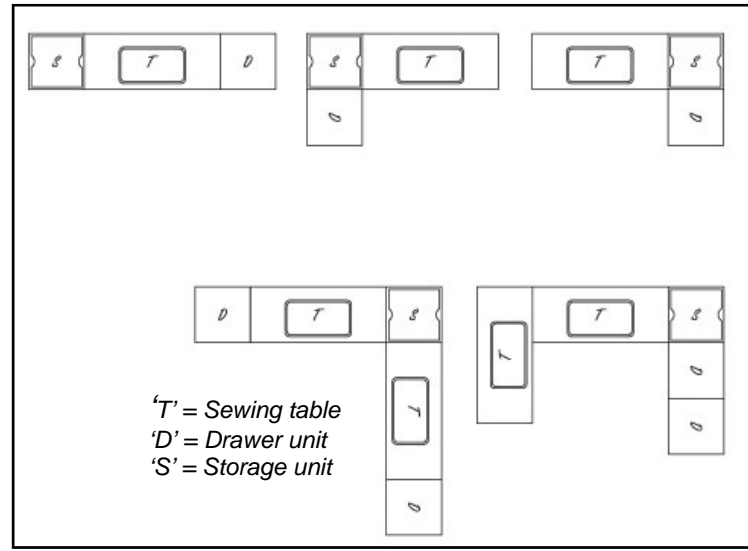
Easy to move around on handy wheels.

Colour Chart



White

The ELEMENTS



The 'Elements' Sewing table (Model 201)

Mix and match units to create your perfect sewing set-up!

3 different types of unit allowing you to Choose your own arrangement!
The clever modular design gives many different configuration possibilities allowing it to fit perfectly into your home. When assembled each unit can be fixed together (with fixings screws provided) to give a sturdy continuous surface. Above we've shown a few setup ideas to get you started....

The Elements when combined becomes so much more than the sum of its parts!



The 'Elements' Drawers (Model 202)

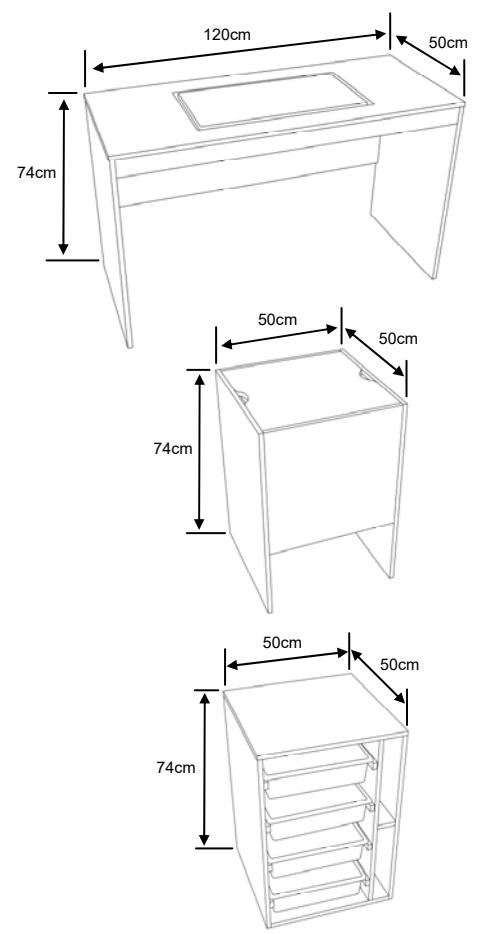


The 'Elements' Storage chest (Model 203)

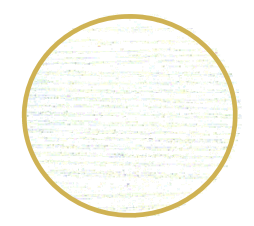


A huge spacious seating area allowing the perfect seating position!

Fitted with our maxi opening!



Colour Chart



White

- The 'Elements' clever design allows for many different configurations to fit in with your room.
- Fitted with our maxi aperture/ opening giving it the ability to fit even the largest domestic sewing machines.
- Like our Sewers Vision the Elements table (Model 201) is fitted with a 2-position manual mechanism platform which allows either a flatbed or free-arm sewing position. Each position can be reached by using a quick release adjustment lever. To get the most out of the flatbed position you can purchase a separate flush flatbed inset (part number 1942US) which can be cut to fit your particular brand and model of sewing machine.
- Great value. Start with just the main table unit and add to it depending on what you decide at that time or at a later date, making it easily affordable.
- Arrives in an easy to assemble form which makes for easy collection and allows it to be built up in awkward to get to places in the home.

in with your room. largest domestic sewing machines. position manual mechanism platform which allows either a flatbed or free-arm sewing position. Each position can be reached by using a quick release adjustment lever. To get the most out of the flatbed position you can purchase a separate flush flatbed inset (part number 1942US) which can be cut to fit your particular brand and model of sewing machine. Great value. Start with just the main table unit and add to it depending on what you decide at that time or at a later date, making it easily affordable. Arrives in an easy to assemble form which makes for easy collection and allows it to be built up in awkward to get to places in the home.

They can be fixed together!

Please note that these units are self assembly. The flatbed insert (1942) is an optional extra with this unit at £62

The SEWER'S VISION

- another great idea from Horn
Ideal for all types of hobby... Sewing, Quilting, Patch work, Cutting, Piecing....anything!!



This is real magic!

Your sewing machine can be operated in either a table top position (for free-arm or embroidery use etc...) or lowered for our inset to be fitted around it to give a huge flatbed sewing position. Alternatively you can remove your machine entirely and use it as a large cutting out surface.

Unrivalled freedom & Comfort.
No more kneeling, bending or stooping ... for anyone



It easily & conveniently folds up out of the way when not being used

NEED MORE STORAGE?
You can add a Rolla storage unit to match in with his model!

Great table size;
64" by 36"
Ideal for all craft uses.

Huge open leg construction-
no restrictions to your seating position

- Tough, knock resistant ABS edging surrounds the top of the table- for increased durability.
- 1" thick table top for extra strength.
- Tilts for storage by means of a pull release catch mechanism to give back valuable floor space to your room.
- Easily height adjustable by simply turning a crank handle.
- Can be raised to work on above other furniture in your room.
- A large height adjustment range to suit virtually any user. Can be lowered to sit at or raised to stand and work at.
- Clever platform mechanism that your sewing machine sits on which can either be dropped for flatbed use (using an inset) or raised for free-arm and embroidery arm use.
- Maxi aperture; giving it the ability to fit even the largest sewing machines on the market.
- One inset to fit your sewing machine is included
- Easily mobile on 4 large, fully lockable wheels.



Folding handle



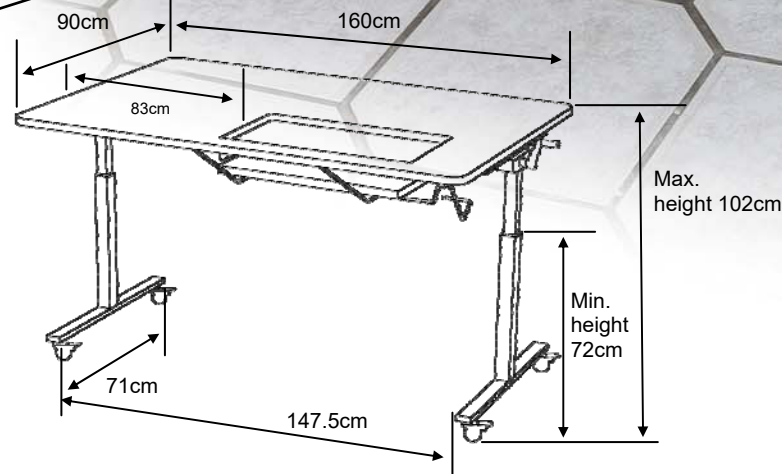
Easy and quick height adjustment by the turn of a handle. Maintenance free, reliable & simple to operate!

Fitted with our Horn Maxi air-lifter! (Type 1952)
Ideal for the new extra large sewing machines—such as the Pfaff Icon, Bernina 700 & 800 series, Brother V series, Janome Horizon Range and Husqvarna Epic's amongst others but its not just for larger machines its also ideal for all normal sized domestic sewing machines too!

See more on this model by viewing the video on our website



4 large, rubberised, smooth running, lockable wheels. Lock both the roll and turn of the wheel.



Get the perfect seating position by using our 'Tall' hobby chair

See pg.31



Colour Chart



White

MODEL 3004 Price includes one flatbed inset.

The HI-LO MK2

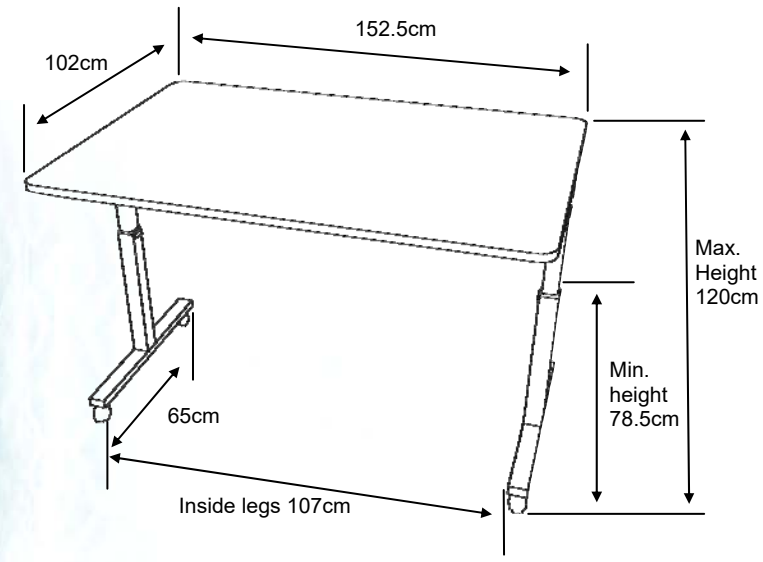
- the best craft table..... ever!



Hilo Mk2 fully tilted from stand side

New
Now in 4 finishes!

Great table size;
60" by 40"
Ideal for any craft use.



Hilo Mk2 fully tilted from top side, here in our Weathered Oak finish

NEED MORE STORAGE?
You can add a Rolla storage unit to match in with his model!

See more on this model by viewing the video on our website



Unrivalled freedom & Comfort.
No more kneeling, bending or stooping
.....for anyone

Table top tilt lever. The table can be locked at various tilted angles.



Easy and quick height adjustment by the pull of a lever. So simple to operate!

The HILO Mk2 will raise to your perfect height. Pictured here with the optional tough Horn Cutting/ Craft mat

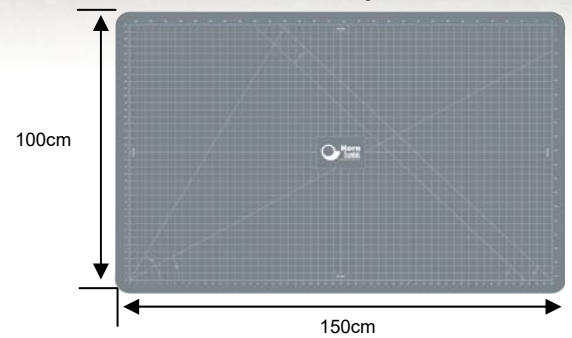
Not just for sewing.... ideal for photography, graphic work or any craft use



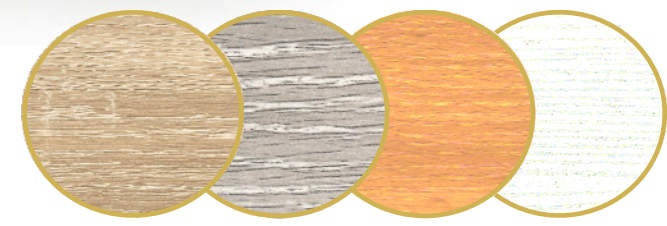
Get the perfect seating position by using our 'Tall' hobby chair See pg.31

Made to measure cutting mat available for this table

This is on Pg.33



Colour Chart



Weathered Oak, American Grey Oak
Beech & White

- Easy height adjustment. Can be raised to your perfect height easily and quickly by the pull of a lever.
- Now has the ability to easily tilt and fix in different angles, much like a draughtman's table, just by the pull of a lever.
- Hard wearing knock resistant edging.
- Huge table size with a fabulous huge cutting mat tailor made to fit this table.
- Great open leg construction, gives so much leg room!
- Now available in 4 great finishes.
- 4 large, rubberised, smooth rolling, lockable wheels. Locks both the roll and spin/ turn of the wheel.
- Great for all hobby uses.
- Arrives fully assembled or in a self assembly condition if preferred.

The Maxi HOBBY - TABLE

- Give your back and knees a break stand and work in comfort!

- ▶ A table ideal for Cutting, Quilting, Sewing, smocking in fact any hobby!
- ▶ Storage for both your sewing machine and an overlocker
- ▶ There are storage cupboards on both sides
- ▶ Rounded table corners for safety
- ▶ Ideal addition to match in with a sewing cabinet

The correct height to stand and work at...
No more back ache!



Slim & Mobile when closed

See more on this model by viewing the video on our website



Useful storage cupboards both sides...



...one side fitted with an adjustable shelf for larger items...



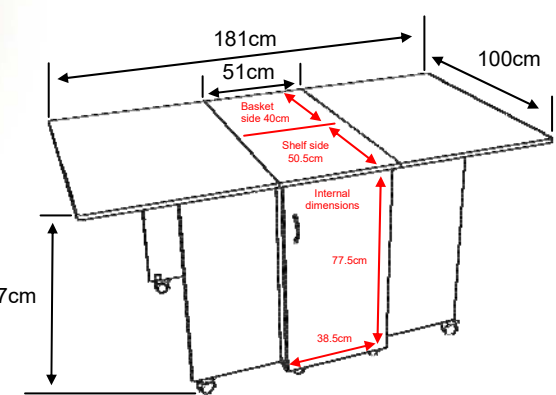
...the other fitted with removable storage baskets.



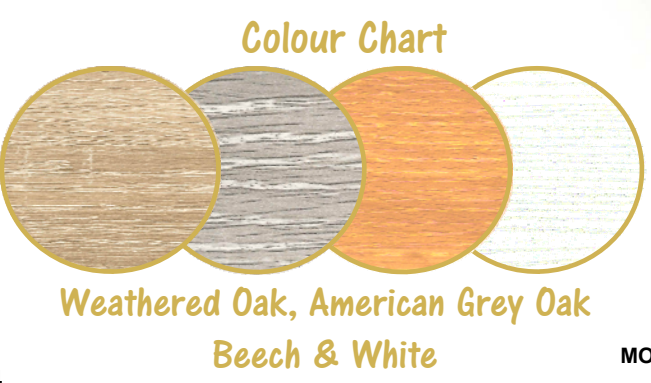
87cm/
34 1/4ins

- ▶ 87cm (34 1/4ins) height is ideal for working while standing up. No bending, kneeling or stooping!
- ▶ Incredibly stable construction; easy-rolling castors are attached to a specially designed reinforced frame, much more stable than a folding or dining room table.
- ▶ Rounded corners keep your projects safe from snags and from children catching themselves accidentally.
- ▶ Handy storage cupboards located on both sides.
- ▶ Storage shelves are adjustable or removable.
- ▶ Entire unit quickly folds down and easily rolls away when not in use.
- ▶ Arrives fully assembled. Table is beautifully finished front and back, inside and out. No having to assemble it yourself!
- ▶ PLEASE NOTE: Due to its size and weight we regret that this cabinet is too large to be taken up an internal staircase by our driver.

Extra stable double leg design



CLOSED - WIDE 100cm (39 1/2") DEEP 51cm (20") HIGH 87cm (34 1/4")



The Gemini s pictured above in our new American Grey finish

Loads of stowage for machines and accessories.

MODEL 2005 - (The Cutting mat shown is an optional extra- see Pg.33)

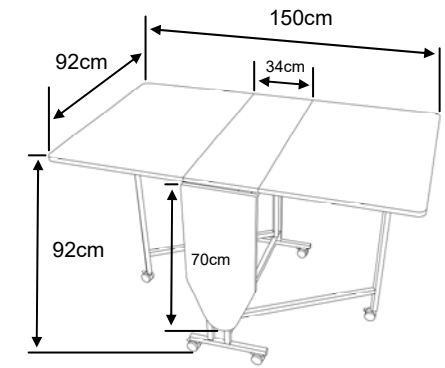
PLEASE NOTE: Depending on your stairs and due to its size we must advise you that this cabinet is too big to be taken up an internal staircase by our driver. If you have any doubts please contact us to check for more information before purchasing.

The CUT EASY Mk2

- A hobby table so compact it could fit almost anywhere!

See more on this model by viewing the video on our website

The correct height to stand and work at... No more back ache!



CLOSED - WIDE 94cm (37") DEEP 34cm (13 1/3") HIGH 92cm (36 1/4")



The Cut Easy Mk2 with a partially opened cutting/working surface & pressing table up.



The Cut Easy Mk2 with cutting/working surface open.



The Cut Easy Mk2's just over a foot wide when its completely folded down -it could fit in anywhere.

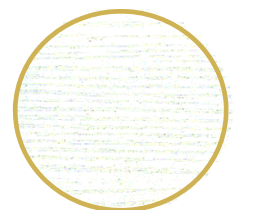


Cut Easy MK2 completely opened up

Great standing height... 36ins!

- Extremely compact when closed.
- Very versatile for all types of craft use.
- Sturdy construction.
- Ideal standing height.
- Handy built in pressing board.
- Huge work surface when fully opened.
- Easily movable on large lockable castors.
- Arrives in a ready to assemble form which makes it ideal to build up in awkward to get to places in the home.

Colour Chart



White

Extra large deluxe flat-bed Extension table

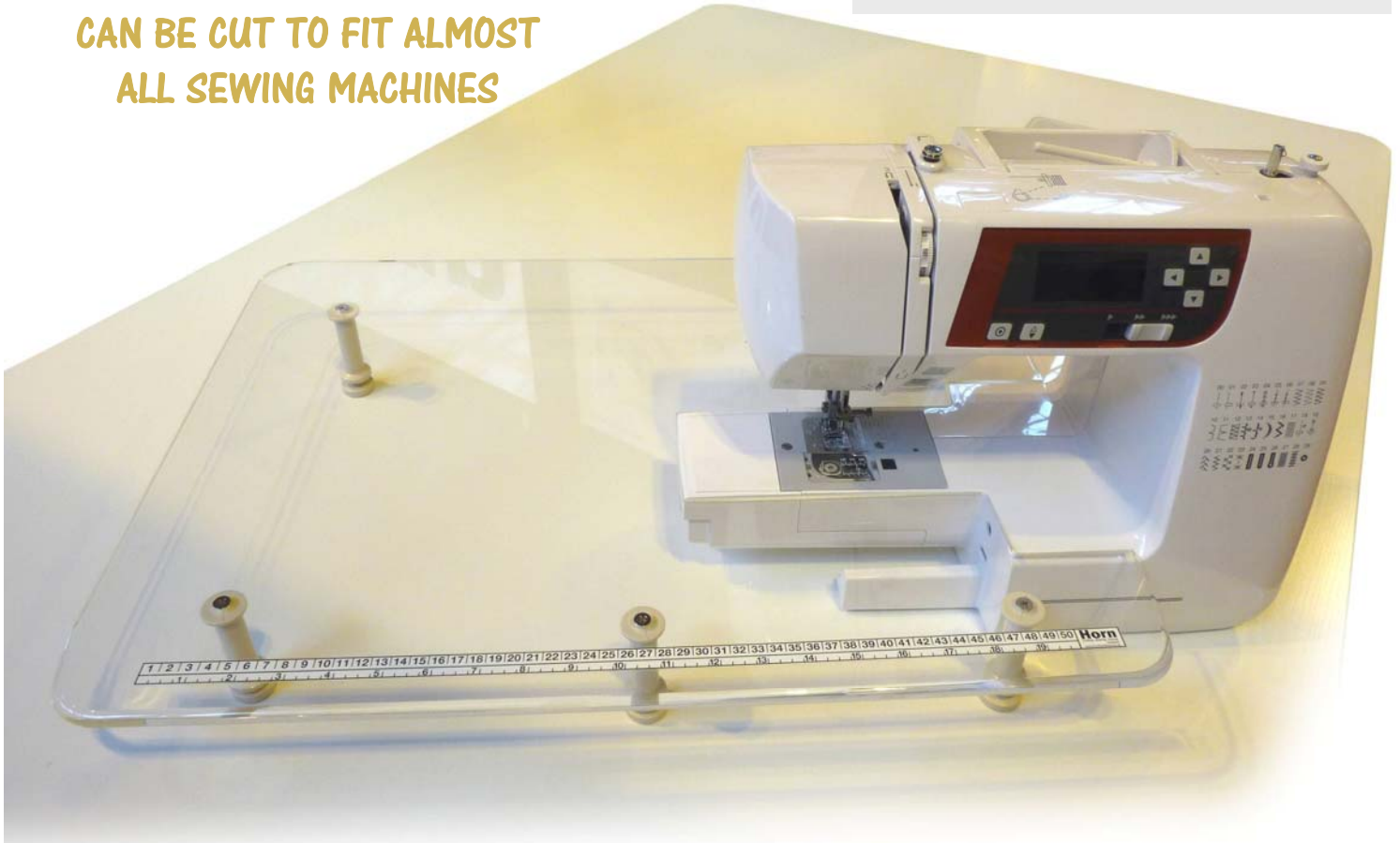
An extra large deluxe adapter to extend the flatbed work surface of your sewing machine.



- Increases your sewing arm to a huge 24ins x 18ins sewing area.
- Can be cut to fit almost all brands of sewing machine.
- 5 height adjustable legs, that can be adjusted to level the table perfectly with your sewing machine.
- Super sturdy! Made from tough, 6mm thick transparent Perspex.
- Light & compact enough to be portable with your sewing machine.
- Beautifully finished with soft formed edges to give you smooth, catch-free movement of material.
- Fitted with a handy tape measure.
- Ideal for all those current or older sewing machines that an extra flatbed adapter table either wasn't made for or now not available for.

**Dimensions of Large Extension surface:
605mm (24") Wide
450mm (18") Deep**

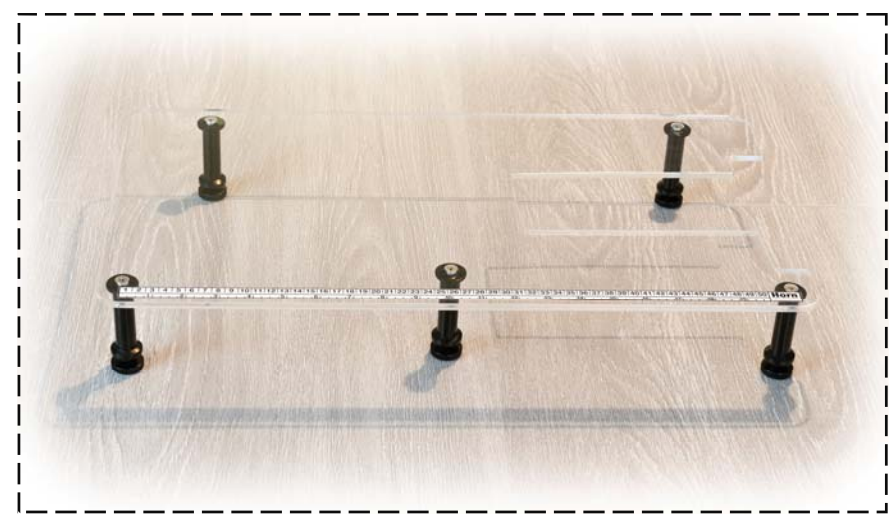
CAN BE CUT TO FIT ALMOST ALL SEWING MACHINES



Flat-bed Extension table

New
Improved stronger, larger size!

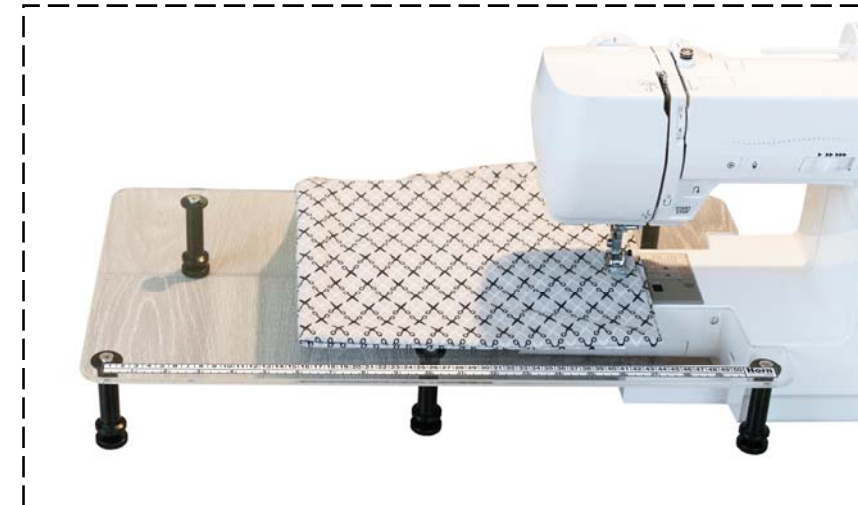
**Dimensions of Extension surface:
560mm (22") Wide
300mm (11 1/4") Deep**



- Custom cut to fit almost all sewing machines.
- Handy, portable size.
- Quick, easy assembly.
- Adjustable height legs to allow easy height adjustment to suit your machine.
- Ideal for all those current or older sewing machines that an extra flatbed adapter table either wasn't made for or now not available for.

CAN BE CUT TO FIT ALMOST ALL SEWING MACHINES

An adapter to extend the flatbed work surface of your sewing machine.



The HOBBY - CHAIR

- Our original standard height Hobby Chair

Now in 3 fun fabrics



As any hobbyist will tell you the most important things you'll need when sitting for long periods is comfort, good support and most importantly a correct sitting posture. The Horn **HOBBY CHAIR** offers all these and more, it features a 3 lever mechanism, this gives precise adjustment of your seating position by allowing you not only to change the height of the chair but the rake, seat tilt and back height positions...just like a luxury car seat. The Horn **HOBBY CHAIR** also offers a sculptured, deep, luxuriously padded seat and back with an approved contoured lumbar support to fit perfectly into your body. It can be quickly raised or lowered to your desired position by means of a gas elevator and is fitted with a smaller castor base to allow you to fit easily into your sewing cabinet. To finish off the perfect chair you have three hard wearing fabrics to choose from **and now** three special 'Limited Edition' fun sewing canvas fabric's as well! It's the perfect chair to finish off your perfect sewing room!

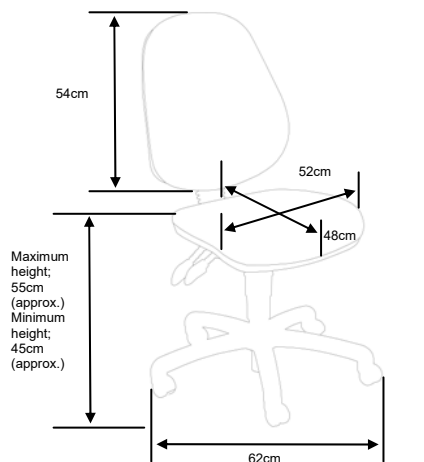
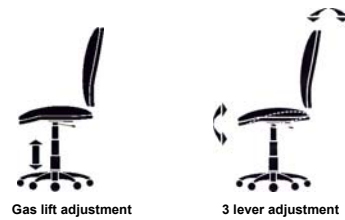
ENDORSED BY....



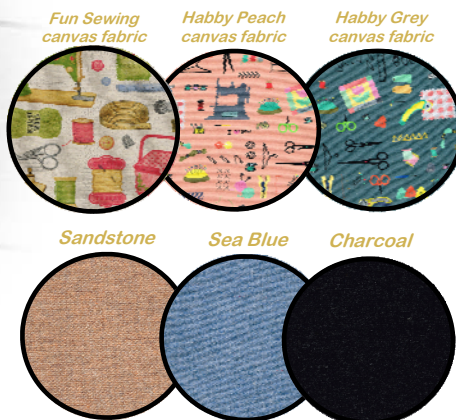
R. QUINN, MCSP, Reg.Mem. HPC, Mem.IEHF and ACPOHE

"The best seat in the house is now endorsed & approved!"

The Fabric pictured is our fun sewing canvas fabric



All dimensions are approximate



Fabric Chart

Like to see a sample of a fabric? - No problem Contact us on 01793 834304 and we'll sort it out for you.

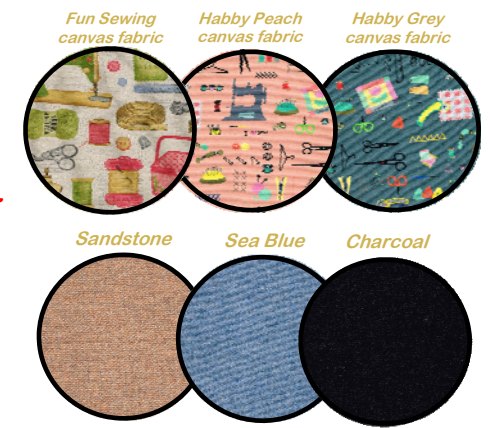
Excellent comfort and support!

See more about this chair by viewing the video on our website

Our 'Tall' HOBBY - CHAIR

- the Horn 'Tall' Hobby Chair

See more about this chair by viewing the video on our website



Fabric Chart

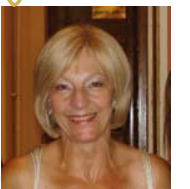
Like to see a sample of a fabric? - No problem Contact us on 01793 834304 and we'll sort it out for you.

"The best seat in the house just got taller!"

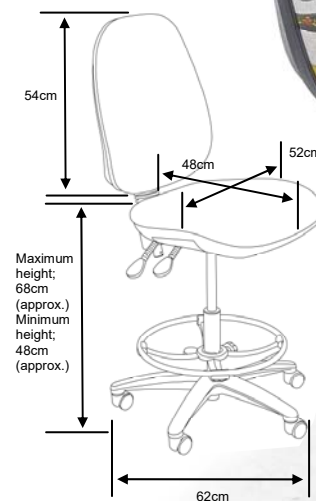
Excellent comfort and support!

Now in 3 fun fabrics

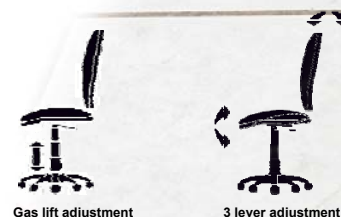
ENDORSED BY....



R. QUINN, MCSP, Reg.Mem. HPC, Mem.IEHF and ACPOHE



All dimensions are approximate



All the advantages of our standard Hobby chair.... but now with extra height!

The Fabric pictured is our limited edition fun sewing canvas fabric. Both our 'Tall Hobby' and original 'Hobby' chair's are currently available in this.

THE SAME GREAT FEATURES AS THE HOBBY CHAIR BUT NOW AVAILABLE WITH EXTRA HEIGHT.

This will allow you all the endorsed comfort and support of the original Horn Hobby chair but gives a sitting position with a far greater maximum height of 68cm off the ground! (The normal chair being 56cm). This is ideal for sitting at higher surfaces such as our HI-LO Mk2, Sewers Vision, Maxi Hobby table, Cut easy Mk2 or maybe your own kitchen surface, in fact anywhere in your home that has a need for a higher sitting position. **PLEASE NOTE: This chair isn't specifically for tall people. We have put a lot of effort into trying to develop it so that you are able to sit at either a sewing cabinet height of (approx. 29-30ins) or sit at a standing height surface of (approx. 35-36 ins) but we realise that people are all different so these heights aren't perfect for everyone and might not work for you. If sitting at both of these types of unit is a definite stipulation of your purchase then it'd be best to try to sit on one first, to try it out, before purchasing it.**



**Cut to the tip!
Horn SCISSORS**

German made quality!



The best scissors you'll ever get to use!

Excellent, long lasting sharpness- made using the highest grade stainless steel!

'A cut above the rest'

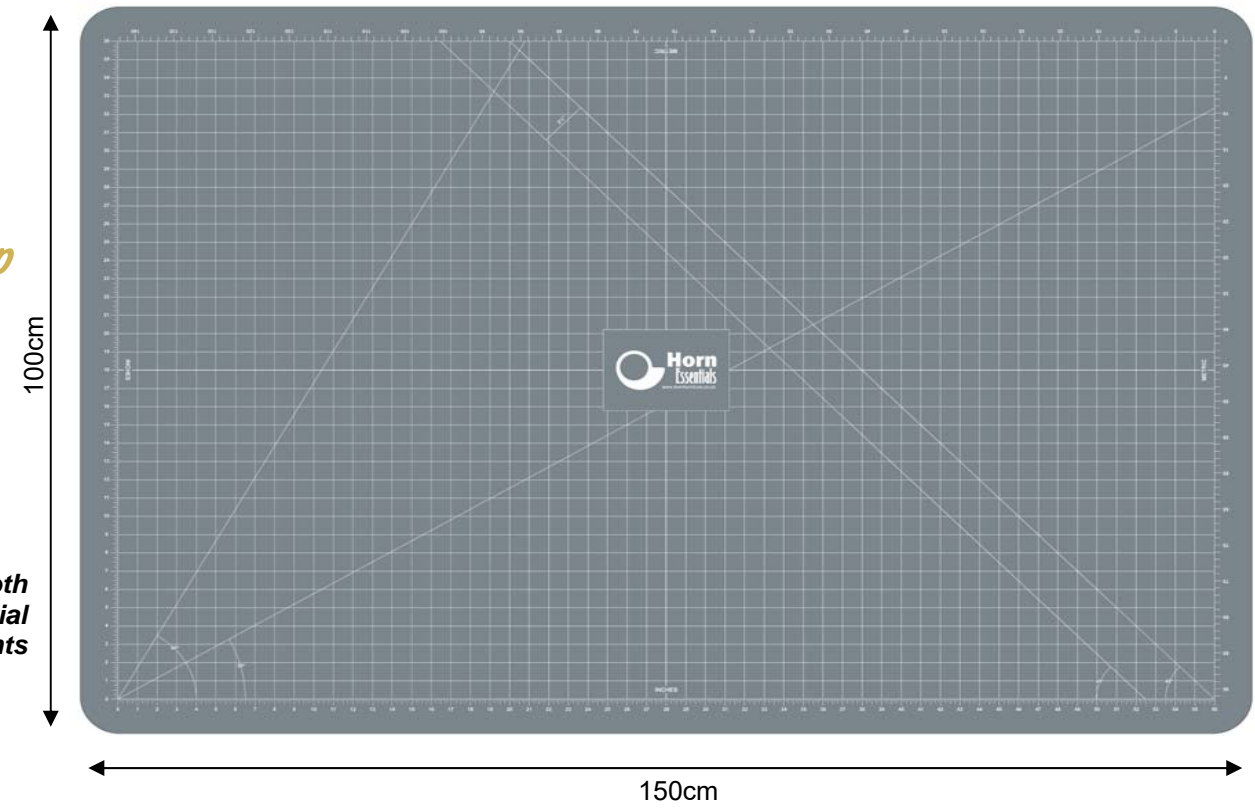
Horn's Huge Cutting mat

- high quality cutting mats from Horn

This new version of our huge cutting mat is tailor made to fit our HILO Mk2 but can be purchased separately for use on a table of your choice. High quality, tough, self-healing, 3mm thick and ideal for rotary cutters.

Hard wearing, top quality mat

Marked with both Metric and Imperial measurements

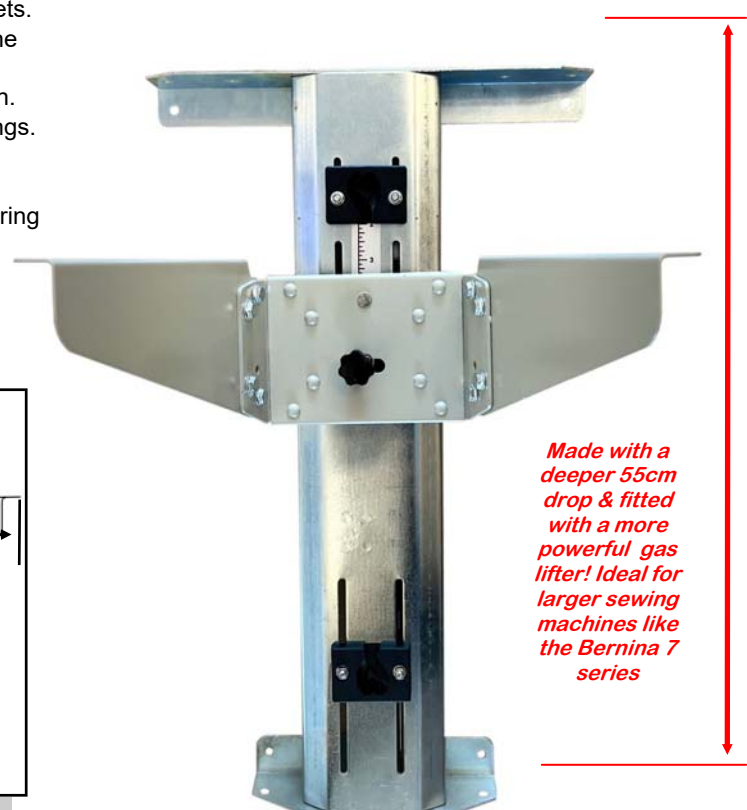


Horn AIR-LIFTER

- Horn rear mounted 3 step sewing machine air-lifter

- Now made with a deeper drop (55cm-previous lifter 50cm) and a more powerful gas lifter to cope with today's larger, taller & heavier sewing machines.
- Versatile fixing ability with multi-hole brackets.
- Easier fitment or removal due to its all in one style.
- Smooth & simple to operate lifting operation.
- Solid movement on 8 steel ball roller bearings.
- Fitted with a position locking screw.
- Automatic push-down release mechanism, (no levers), enabling an easy lifting and storing operation for your sewing machine.
- 3 adjustable stop positions.
- Durable zinc plated finish on the mast.

New improved design, made to deal with today's larger, heavier, taller sewing machines

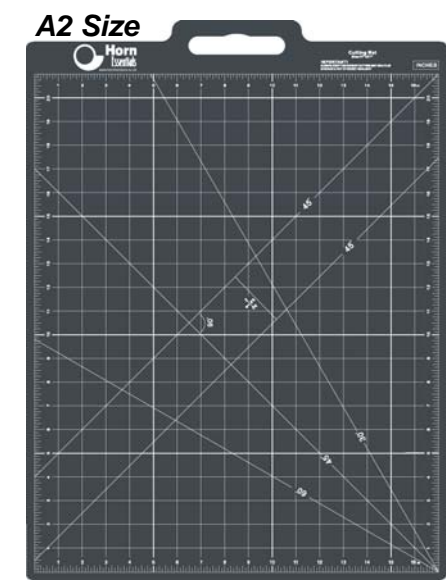
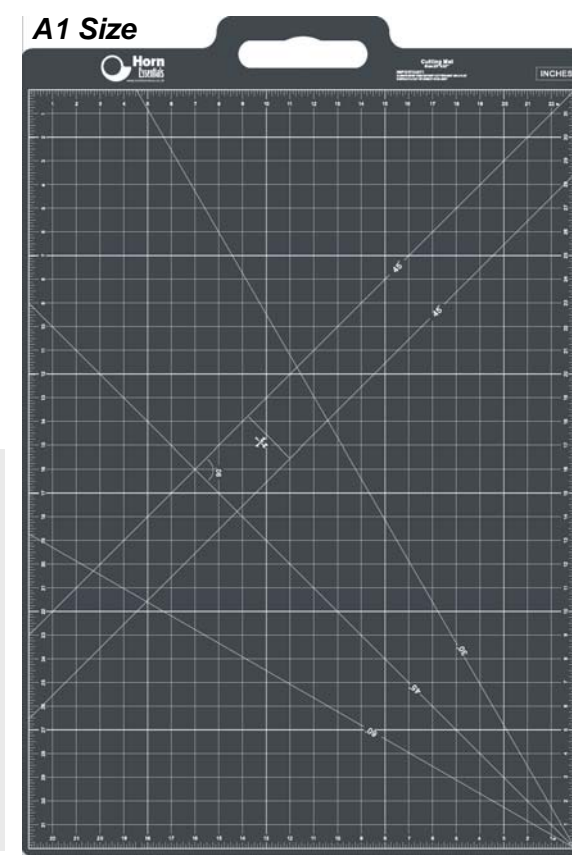


Made with a deeper 55cm drop & fitted with a more powerful gas lifter! Ideal for larger sewing machines like the Bernina 7 series

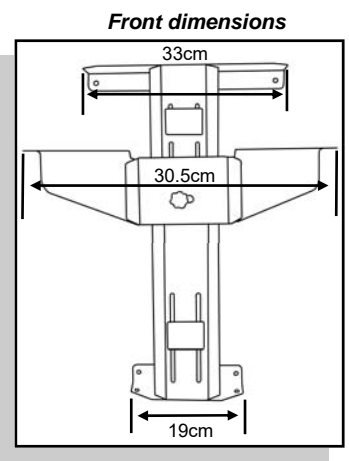
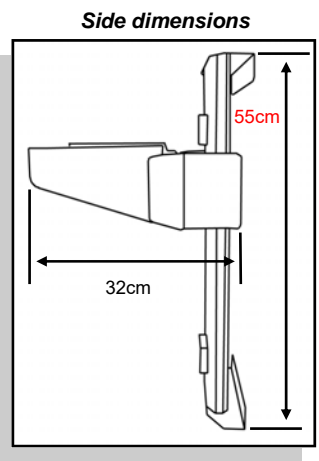
Our easy to carry cutting mat's

The best quality mat you'll ever use!

- Great new easy to work on colour and now in 2 popular sizes.
- Top quality, self-healing, 3mm thickness, designed for rotary cutters.
- Tough, long lasting surface, helps extend the life of your blades.
- Accurate measurements & reversible. Inches one side, metric on the other.
- Made with the highest EN71-3 specifications.
- Convenient carrying handle, which doubles to allow you to hang the mat for storage.



Double sided- Inches one side, Metric the other



Horn Essentials
Professional quality products from the Horn Essentials range....

Our lifter system's system can be adjusted to fit almost all domestic sewing machines...

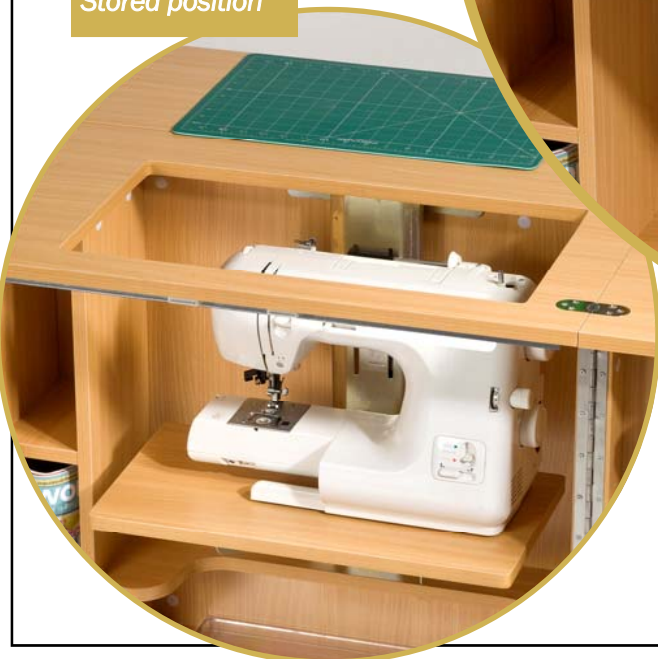
It couldn't be easier or more effective. Simply push down on the top of your sewing machine and it will lift your machine to the desired position for you!



Table top position
(Free-arm position)



Stored position



Position for insert / inset
(Flat-bed position)



**YOU NEED NEVER
LIFT OR CARRY
YOUR SEWING
MACHINE AGAIN!**

Have a new sewing machine & need a replacement flat-bed fitting for your Horn cabinet? Here's how...

New flatbed inserts or insets are available in either an uncut condition to act as a filler for the opening or cut to fit around your particular sewing machine. There are many different types of insert/ inset now so when ordering its essential to have the measurements of the size of the rectangular opening in the top of your Horn sewing cabinet to hand in order for us to take your order and supply you with the correct sized fitting. The information we require from you when placing an order is *(Please also see the diagram below);*

- **The make/ brand and model number or name of your particular sewing machine.**
- **The length and width of the aperture/ opening that is cut into your cabinet.**
- **The type of fitting you require. Either an insert, (which has a lip around the edge to prevent it falling through the hole) or an inset, (this a newer style and has no lip and sits inside the hole on a ledge or on holders).**

Also any information labelled on your old insert/ inset will help identify the correct insert/ inset size that you will need. If we are still unsure about the particular type of sewing machine or opening size in the top of your cabinet then taking a photograph and sending that to us by email with your details is a great help. Below are the different types of Insert/ Inset that we can offer;

Inserts (This type have a lip around the edge to stop them falling through the hole)

1925 (Hide-away MK1) £43.95 inc P&P (300 x 285mm approx.)

1927 (Standard) £56.95 inc. P&P (480 x 285mm approx.)

1929 (Long) £60.95 inc. P&P (530 x 285mm approx.)

1932 (Maxi insert) £89.95 inc. P&P (615 x 325mm approx.)

Insets (This type have no lip and sit on a ledge or holders inside the hole)

1939 (New Nova) £69.95 inc. P&P (545 x 300mm approx.)

1942 (QD Mk2,etc) £69.95 inc. P&P (615 x 330mm approx.)

1952 (Maxi inset) £69.95 inc. P&P(625 x 339mm approx.)

1972 (New Cub inset) £69.95 inc. P&P(480 x 285mm approx.)

1992 (New Gemini Inset) £69.95 inc. P&P(530 x 285mm approx.)

Flatbed adapter kit

1928 (Only suitable for 480 & 530mm openings) £49.95 inc P&P

Flatbed extension table adapter with adjustable legs; cut to fit your sewing machine. Page 29.

(560 x 300mm table size approx.) £89.95 inc. P&P

Extra large flatbed extension table adapter with adjustable legs; cut to fit your sewing machine. Page 28.

(600 x 450mm table size approx.) £139.95 inc. P&P

Please note: We can only make insets/ insets to fit Horn sewing cabinets sold here in the UK.

Measurements we require in order to supply you with the correct insert/ inset fitting



**ORDER ONE
TO FIT YOUR
NEW MACHINE TODAY!**