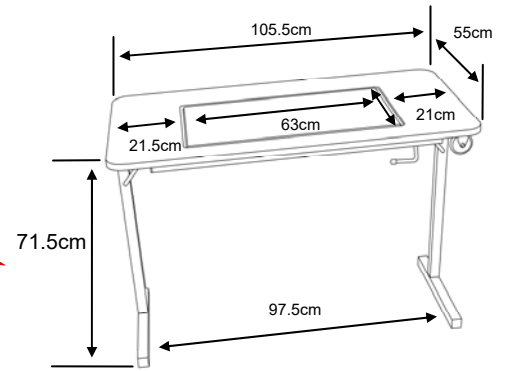


New
Hide-away Mk2

- Get mobile with our new Hide-away Mk2!



Fitted with our 'inset' design where the inset sits inside the aperture on a ledge thus giving an even flusher, smoother, sturdier surface from table top to machine arm.... You'll love it!



CLOSED - WIDE 105cm (41½") DEEP 55cm (21½") HIGH 11.5cm (4½")

See more on this model by viewing the video on our website



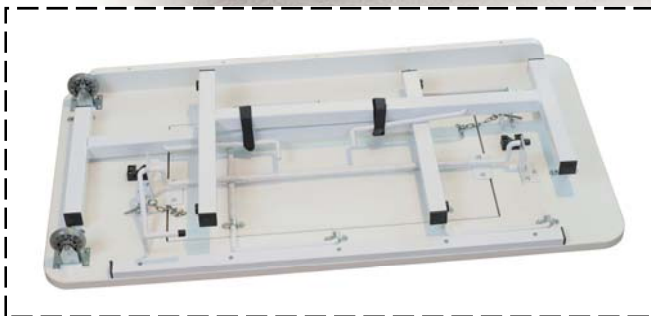
I'm weigh only 14kg's!



Sturdy open leg construction



Manufactured with our flush maxi-inset style fitting (1952)



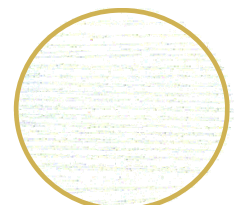
The Hide-away Mk2 folds down quickly & easily allowing it to be portable and to store in any convenient household location or taken with you to a friend's house, club or class perhaps?

Price includes one flatbed inset, cut to fit your sewing machine.



Easy to move around on handy wheels.

Colour Chart



White