
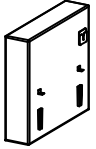
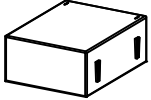
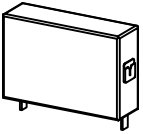

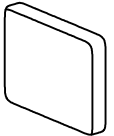


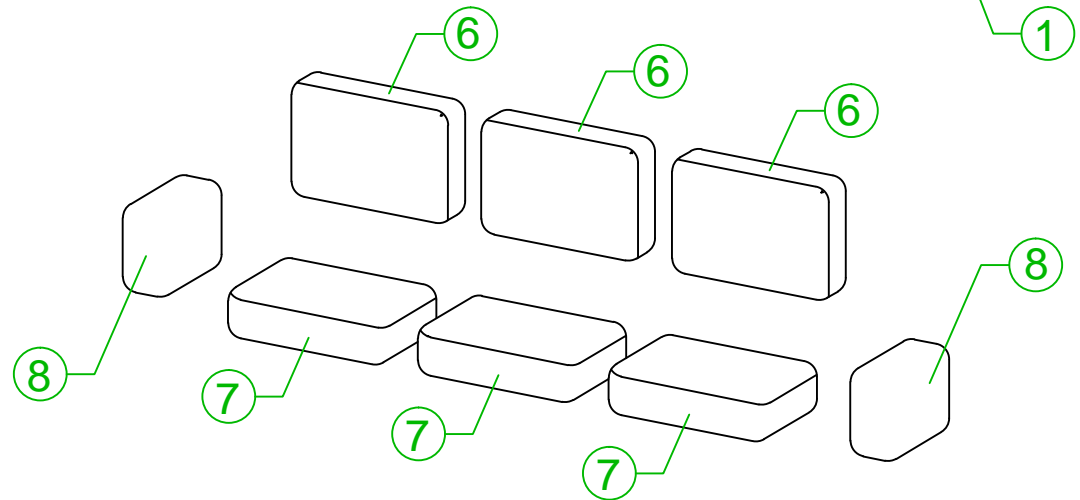
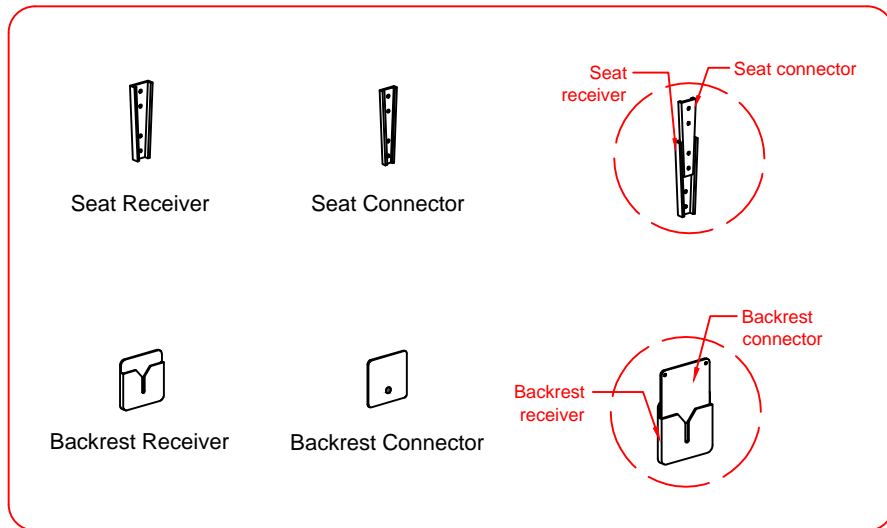
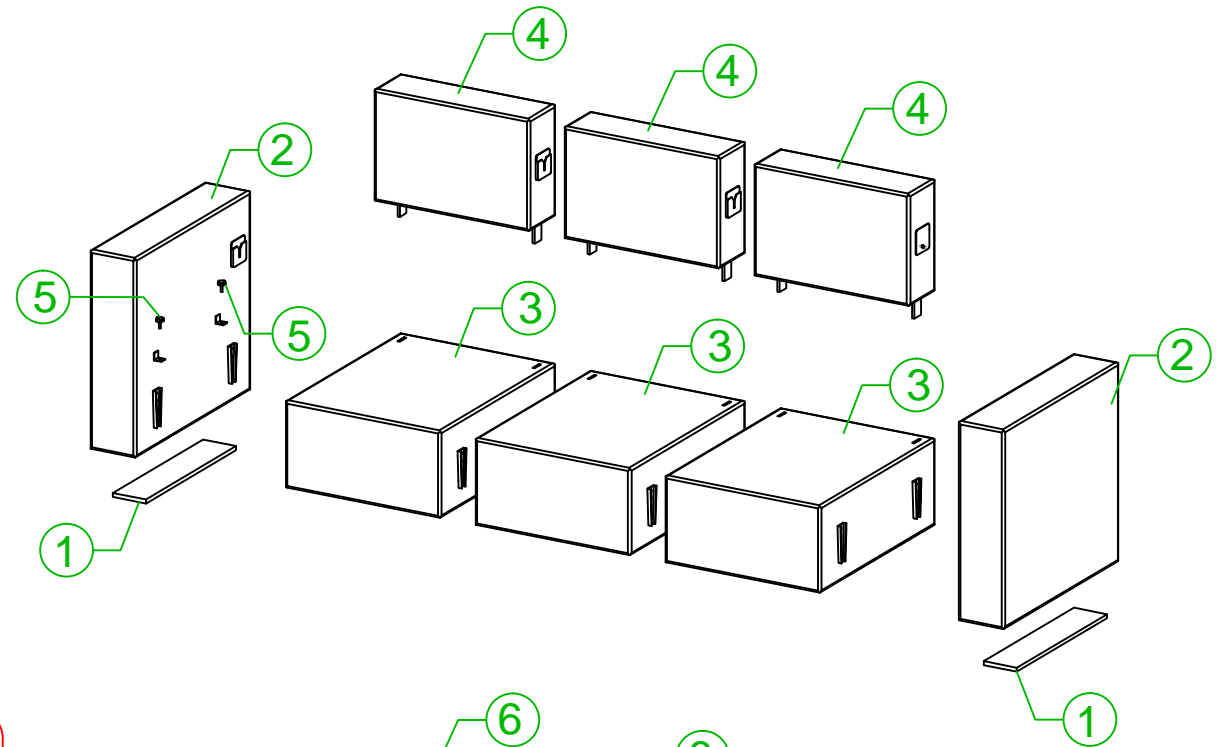


# **ASSEMBLY INSTRUCTION**

Pelican - Node Sofa

# Part List

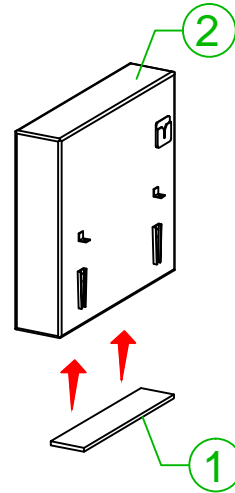
1 (2 Pcs)	2 (2 Pcs)	3 (3 Pcs)	4 (3 Pcs)
			
Placemat	Arm	Seat	Back
5 (4 Pcs)	6 (3 Pcs)	7 (3 Pcs)	8 (2 Pcs)
			
Knob	Back Cushion	Seat Cushion	Pillow



# Assembly Instruction

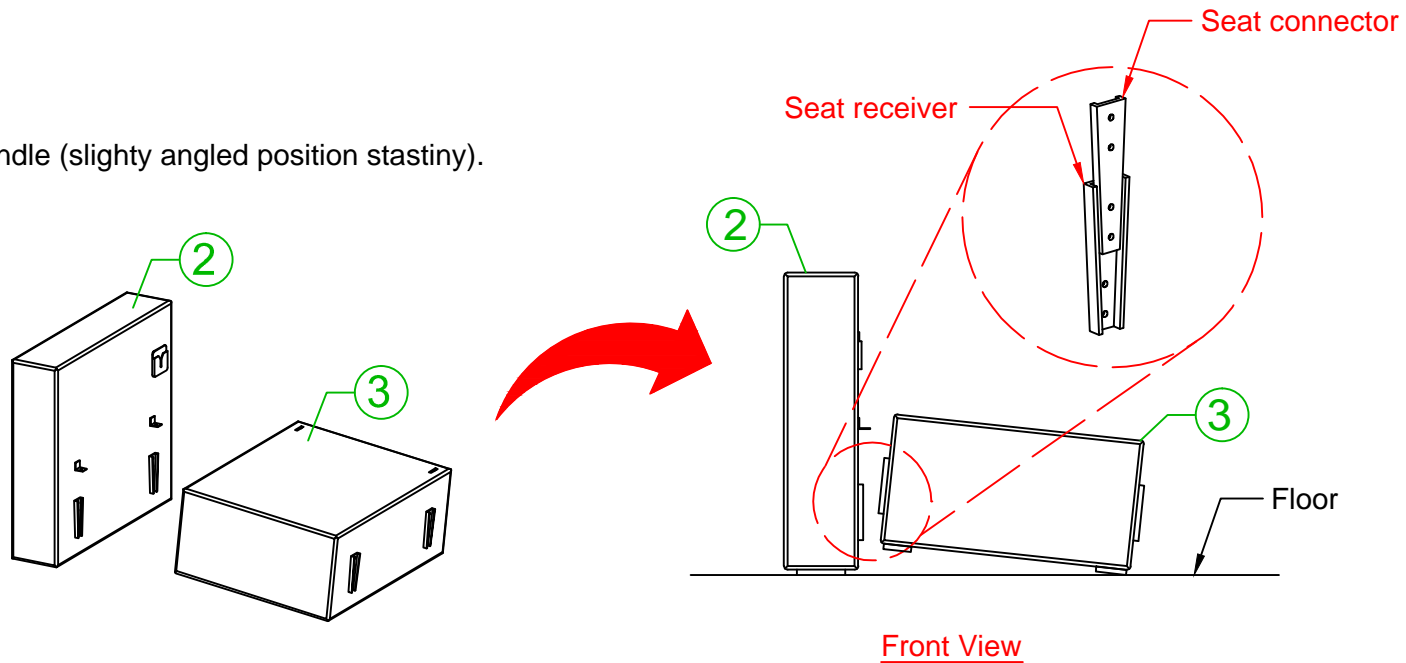
## STEP 1

First of all, place the placemat with the arm.



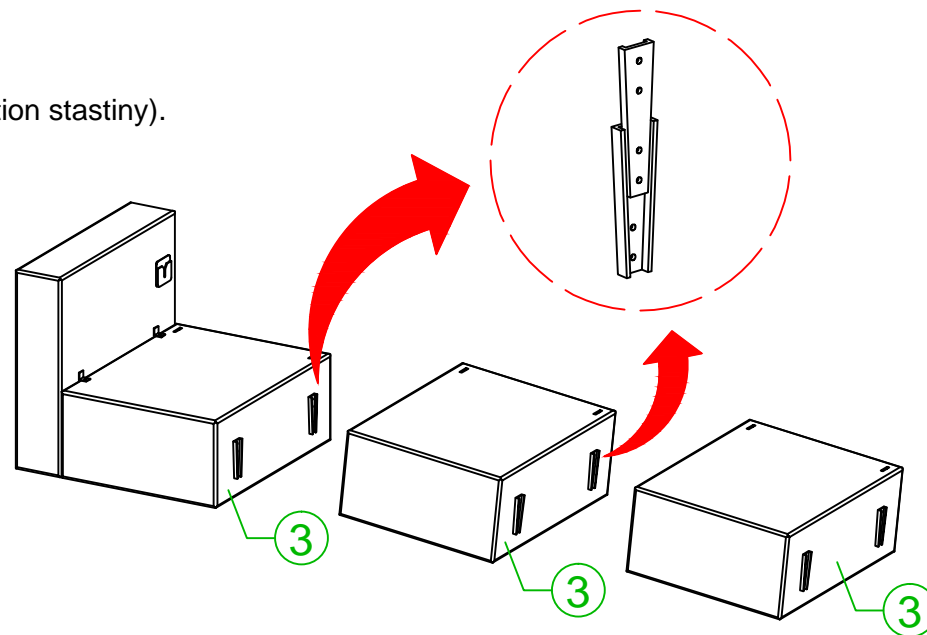
## STEP 2

Second, attach seat to handle (slightly angled position stastiny).



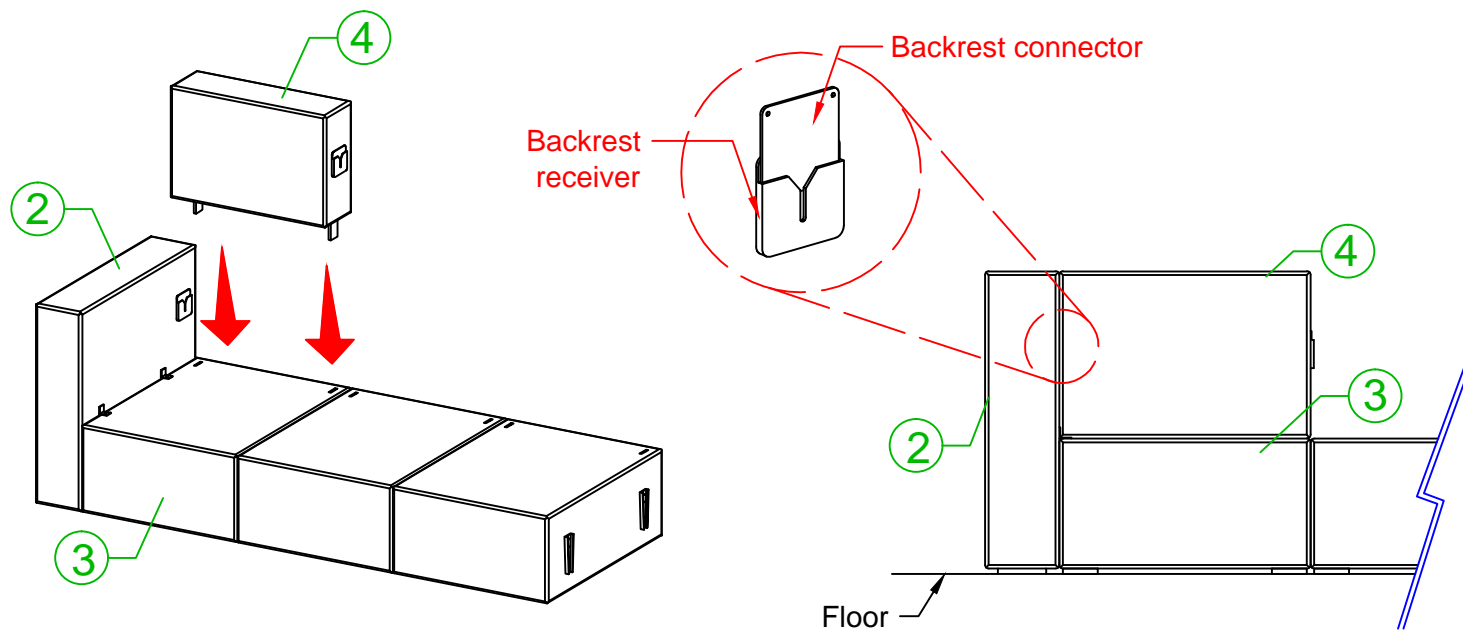
### STEP 3

Third, add all seat (slightly angled position stastiny).



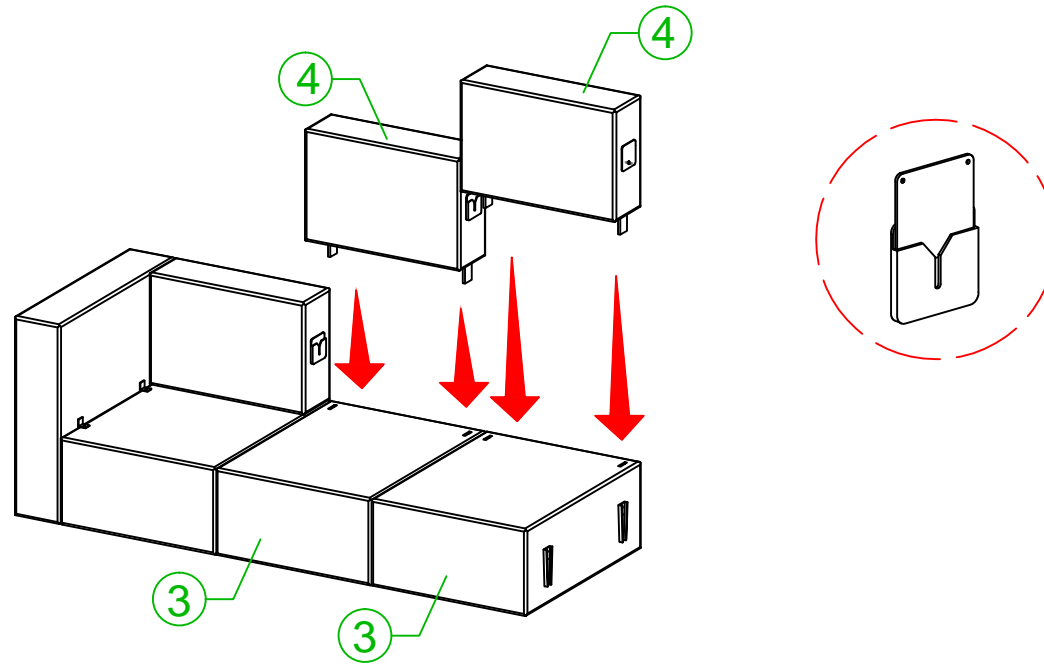
### STEP 4

Next, add back (from arm).



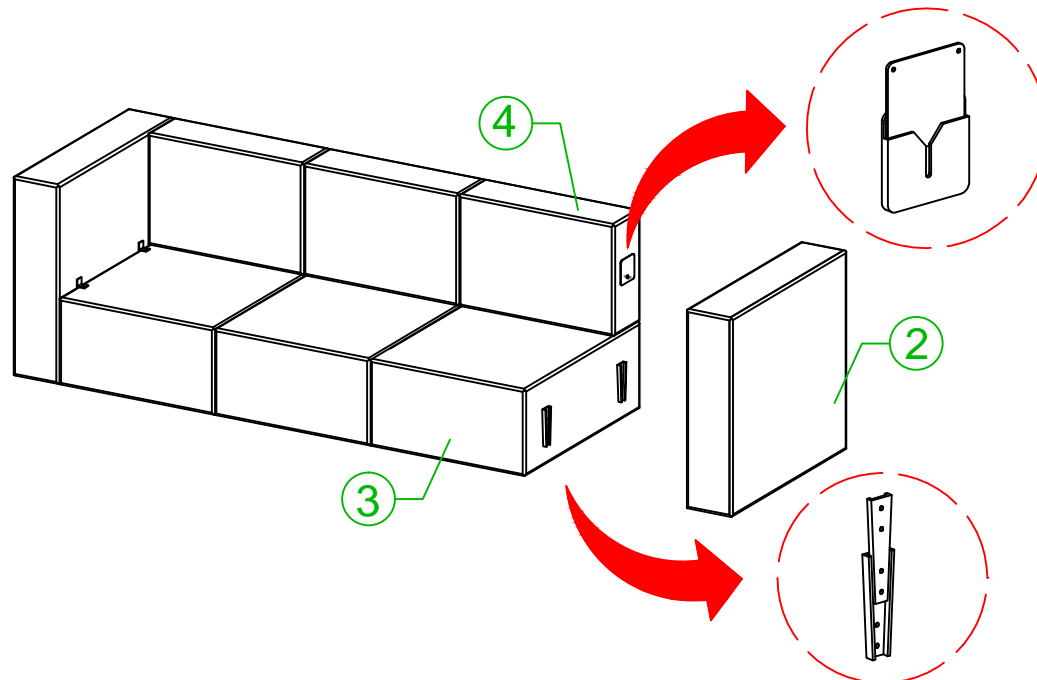
## STEP 5

Then, add all back.



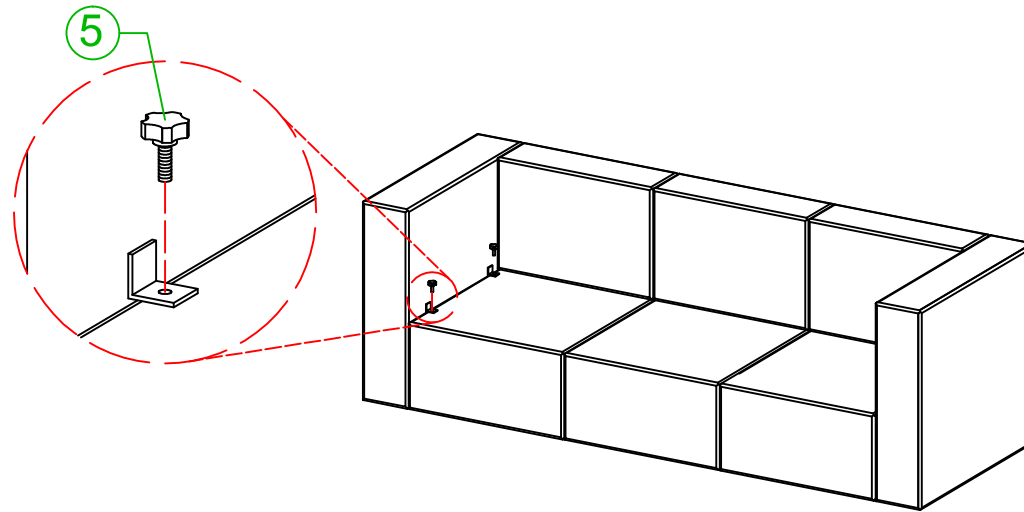
## STEP 6

After that, add arm.



## STEP 7

Then, tie L-Clamps with knobs.



## STEP 8

Last, add back cushion, seat cushion and pillow.

