

B-FORCE PACKAGE SERIES

Titanium helix coil & PVC insulated shell Heat Exchanger (Direct Expansion)

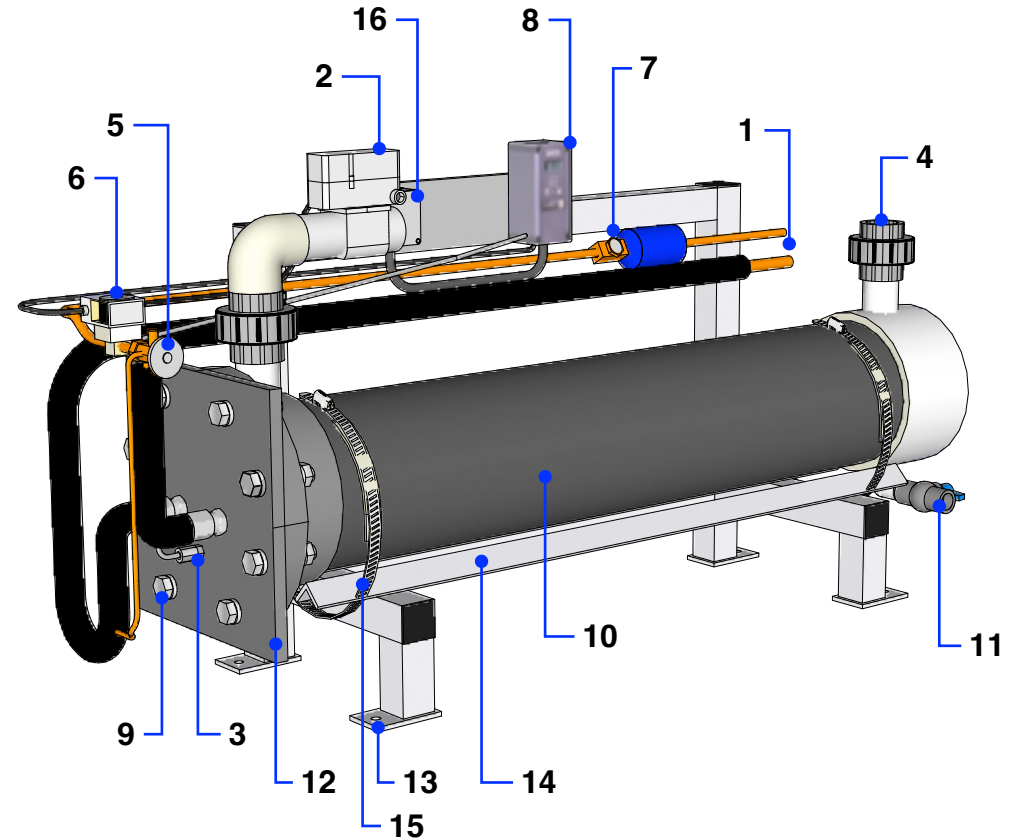
Marine Build's horizontally mounted exchanger packages uses UL and CSA certified components. The chiller barrel shell is SCH 40 PVC, which is NSF and CSA certified. The titanium helix coils are made out of Grade 2 Commercially pure titanium tubing, which has both excellent structural strength and superior corrosion resistance. The titanium conforms to the requirements of ASME SB338-15.

Option: The floor-mounted aluminum frame is made from marine-grade aluminum, which has excellent corrosion resistant properties.

Option: SCH 80 And CPVC material shell construction.

Each package is mounted on a light-weight, corrosion resistant aluminium frame and comes with:

1. Refrigeration IN/OUT has sweat connections.
2. Flow switch.
3. 1/2" OD titanium dry-well for temperature sensor.
4. Water connection IN / OUT: 2" SCH 40 Unions, Slip connection.
5. TXV Valve.
6. Solenoid valve.
7. Sight glass for monitoring moisture and filter dryer.
8. Easy-to-use Johnson Controller for precise digital readout and environmental control.
9. 304 Stainless steel hardware.
10. Mold-resistant insulated 8" PVC shell .
11. PVC Ball-valve to drain exchanger can be located on the front or back flange.
12. PVC front plate.
13. Marine grade aluminum floor mount plate.
14. Marine grade aluminum frame.
15. 304 or 316 Stainless Steel Straps.
16. J-Box for line connection.



All units plumbed with unions for easy installation.

Condensing units sold separately.

**B-Force Package Series
Specification for BF-1 1/2-5 HP Titanium Helix
Coils & PVC Insulated Shell Heat Exchanger
(Direct Expansion)**

Marine Build Inc.

Ship To: 2790 Sunnyside Rd, Anmore,
BC V3H4W9
Cell: 604 970 0184
Email: info@marinebuild.com



January 25, 2024

B-FORCE SERIES PACKAGE

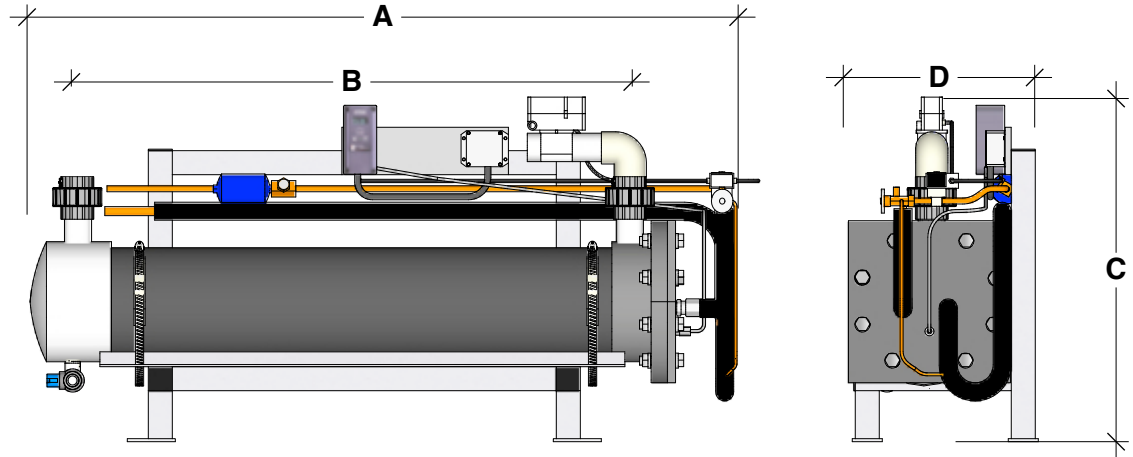
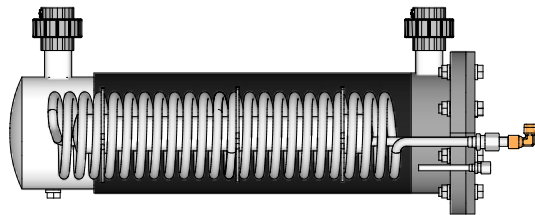
Specifications for BF-DX Package Titanium Helix Coil & PVC Insulated Shell Heat Exchanger (Direct Expansion)

Model#	HP	BTUH	KW	Refrigeration		Water IN / OUT	Water Flow (GPM)		A	B	C	D	Ship WT(LBS)
				IN	OUT		Min	Max					
BF-DX-2000-2U-P	1 1/2-2	18,000-24,000	5.3 / 7	1/2"	3/4"	2" Unions	30	70	36"	15-1/2"	29"	16"	160 **
BF-DX-3000-2U-P	3	36,000	10.5	1/2"	3/4"	2" Unions	30	70	48"	31-1/2"	29"	16"	190 **
BF-DX-4000-2U-P	4	48,000	14	1/2"	3/4"	2" Unions	30	70	48"	31-1/2"	29"	16"	198 **
BF-DX-5000-2U-P	5	60,000	17.5	5/8"	3/4"	2" Unions	30	80	59"	45-1/2"	29"	16"	220 **

Nominal HP rating based on 12,000 BTUH using 134A or 410A refrigerant, with 68°F (20°C) water on the process side @ 30-80 GPM.
 Contact Marine Build for BTUH capacity at different water temperatures.

** Shipping is approximate

Example :
 Cross-section of Heat Exchanger
 Water pressure should not exceed 40 PSI.



Specifications subject to change without notice. Dimensions may vary, if size is critical please contact Marine Build to discuss options.

Dimensions



B-Force Package Series

REVISIONS

	MM/DD/YY	REMARKS
1	___/___/___	...
2	___/___/___	...
3	___/___/___	...
4	___/___/___	...
5	___/___/___	...

01

A