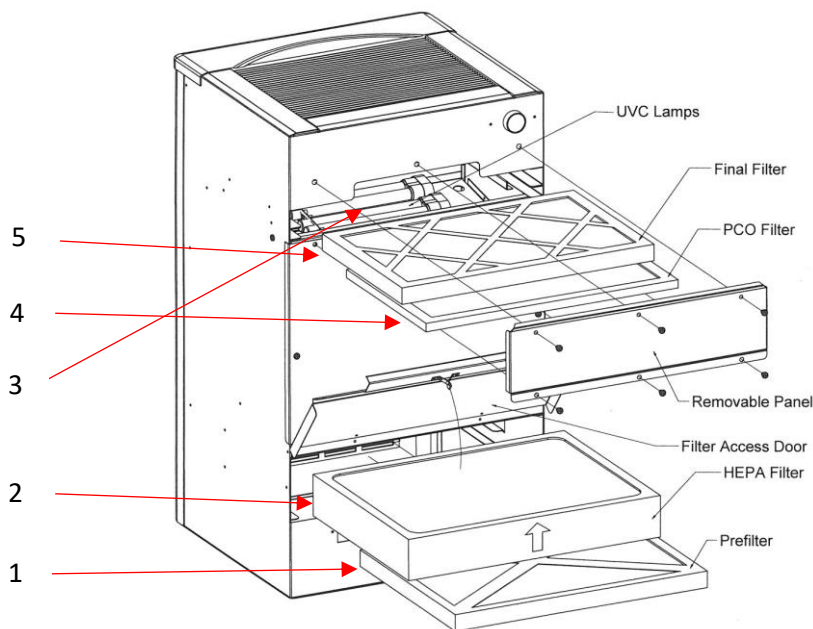




Model# CQAP900 Maintenance Instructions

1. **DM900-0855** – Carbon Prefilter – Change every 2-3 months (or as needed) with arrows pointing towards the center of the unit. This filter is located behind the Filter Access Door at the bottom/rear of the unit.
2. **DMH4-0400** – HEPA Media Filter – Change every 2-3 years (or as needed) with arrows pointing towards the center of the unit. This filter is located behind the Filter Access Door at the bottom/rear of the unit.
3. **DM900-0191** – Germicidal UVC Bulbs – Change every 2-3 years (or as needed) Use cloth gloves when handling bulbs so dirt or oil from your hands doesn't get on the glass. You should hear the bulbs click in place. To change these bulbs, remove the top/rear panel (6 screws), then remove the DM900-0810 final filter and the DM900-0450 PCO filter, then remove the old bulbs. Use a soft cloth or cloth gloves to install the new bulbs, this will keep oil/dirt from your hands from getting on the glass of the bulbs.
4. **DM900-0450** – PCO filter – Change every 2-3 years (or as needed). To change this filter, remove the top/rear panel (6 screws).
5. **DM900-0810** – Carbon+Potassium Permanganate final filter – Change every 12 months (or as needed) with arrows pointing towards the center of the unit. To change this filter, remove the top/rear panel (6 screws).



Remove this top panel when changing items 3, 4, and 5 (top 6 screws). Do not remove the entire back panel.