

# Cantaport made in Japan certified to AU standards

## PJF-series HZ1697-E

## Assembling manual

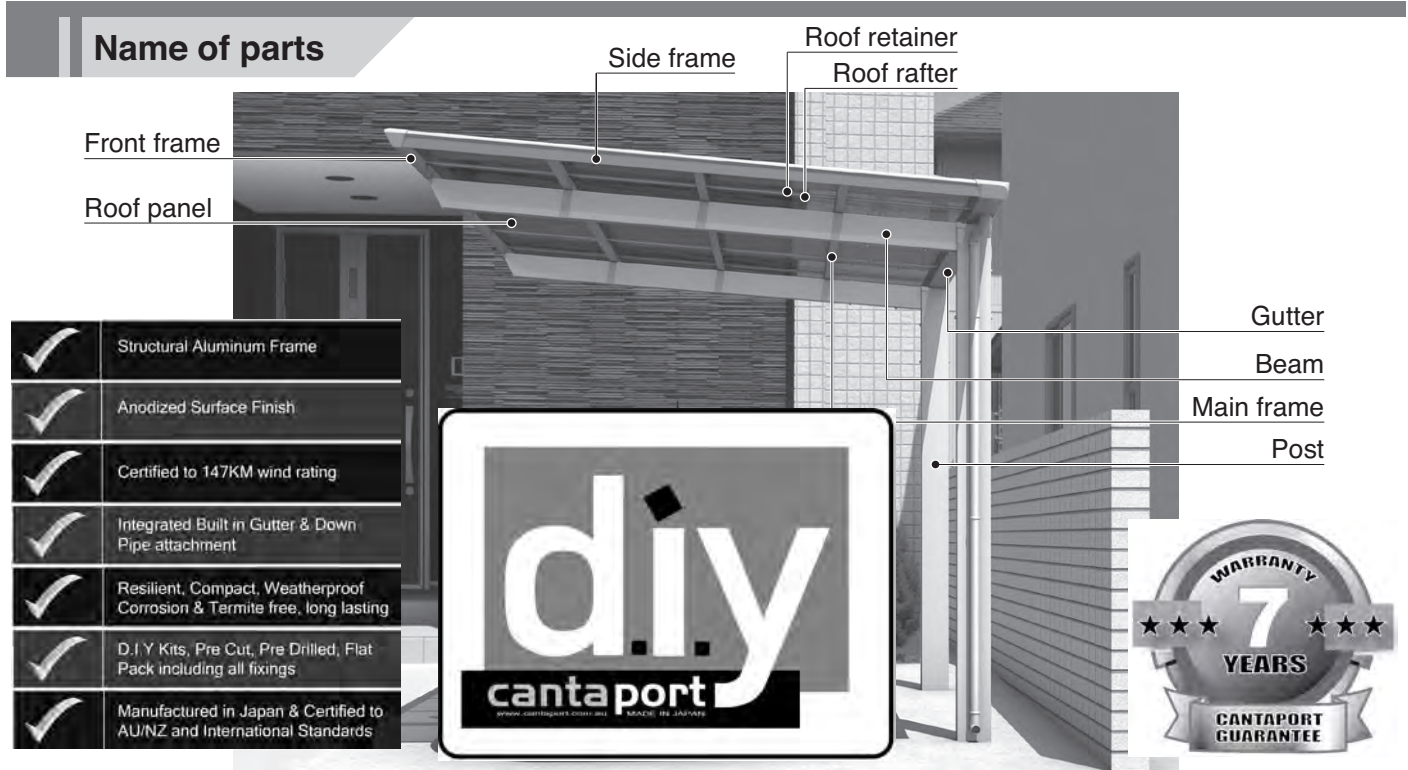
Thank you very much for choosing our company's Cantaport products.

Please be sure to thoroughly read these instructions for assembling the Cantaport product in conjunction with the engineering details. DIY or Authorised Cantaport installations must follow the manufactures assembling manual to avoid warranty cover.

Please retain the manual for future reference and maintenance inspection.

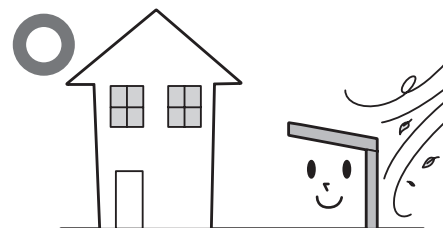
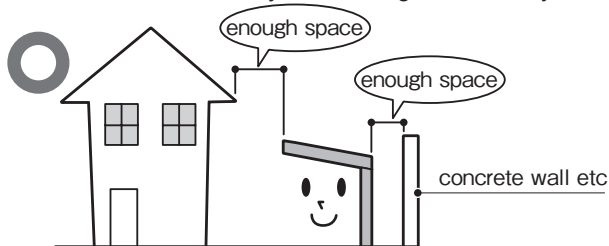


procedures, maintenance and inspection methods.



### Precautions during installation

- The Cantaport is a simple structure. Do not change or remodel it without gaining certification from Cantaport to avoid warranty or danger to public.
- The snow accumulation strength is 600N/m<sup>2</sup> (61.2kg/m<sup>2</sup>) which corresponds to 20cm of fresh snowfall (specific weight 0.3). Do not install in heavy snow area.
- Do not install it in the place where snow slides down from the building roof directly. There is a possibility that products are damaged by snow falling.
- When installing it besides wall, etc., keep enough clearance between the product and the wall due to avoid damage during strong winds. 100mm-200mm clearance.
- Do not install in locations subject to strong wind directly/constantly underneath the roof.



- When installing, it is recommended to install the front frame facing towards the building to reduce the wind effect.
- When installing with side panel please be sure to install the support post.
- Positioning the posts so that they do not affect underground services (water supply, drain pipes, etc.).
- When moving the posts, please follow the manufactures specifications detailed in this manual.
- Install so that the exhaust of hot-water steam, heating fumes and/or car exhaust do not directly hit the surface of the supports and around the entire frame. This may cause discolouration of the surface structure.



Single Basic  
PJF-5127 H25 (UC)  
1 car



Single Basic 33D  
PJF-5133 H25 (KC)  
1 car



Single Basic  
PJF-5127 H25 (UC)  
1 car

M-Connection  
PJF-51-2727M H25 (UC)  
2 cars

Y-Connection  
PJF-51-2727Y H25 (SLC)  
2 cars



In-Line Connection  
PJF-5151-27 H25 (BD)  
2 cars

In-Line Short Extension  
PJF-5114-27 H25 (SLC)  
1 car + bicycle

Mini  
PJF-2921 H25 (UC)  
bicycle

### ALUMINIUM COLOR

Sun Silver	UC Urban Gray	BD Dark Bronze	KC Black	WH White	BR Bronze	BNC Earth Brown
------------	---------------	----------------	----------	----------	-----------	-----------------

### ROOF COLOR

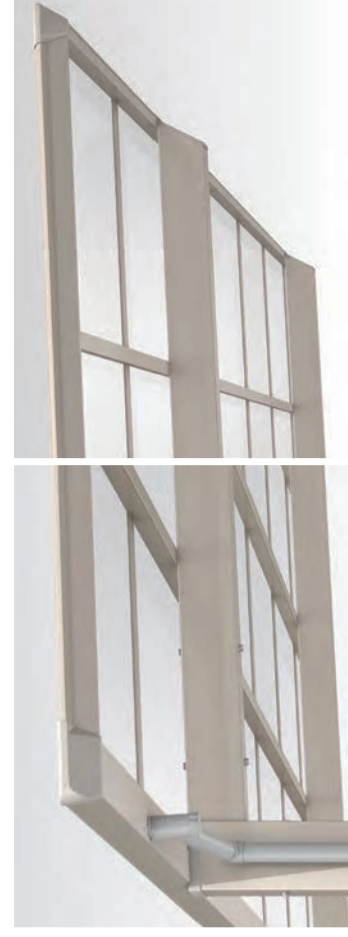
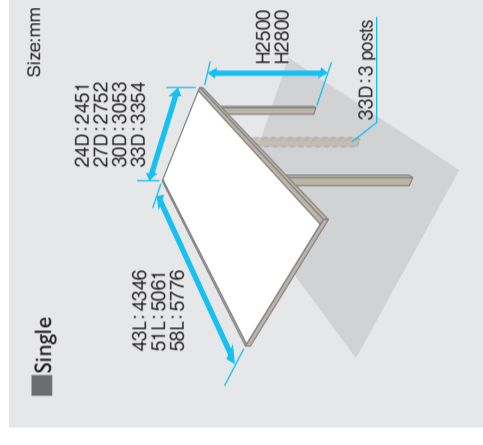
polycarbonate	polycarbonate	heat protection
BR brown smoke	AO blue smoke	SI clear mat
AO blue smoke	SI clear mat	SI clear mat

### STRENGTH

### DESIGN

#### FLAT ROOF DESIGN

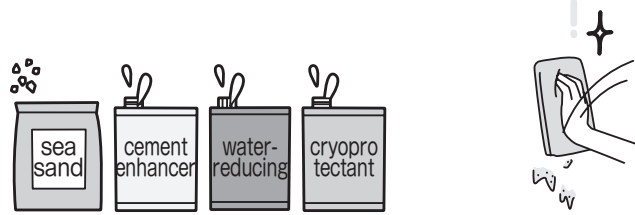
Simple & Stylish Form



## Precautions during construction

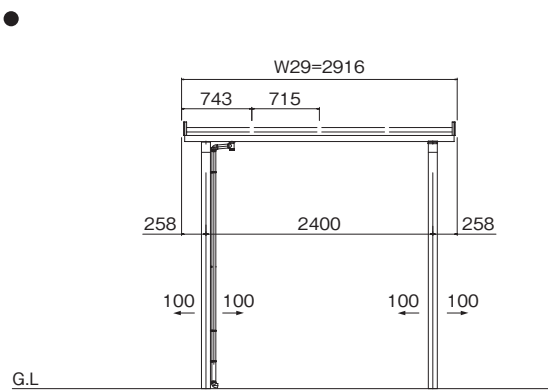
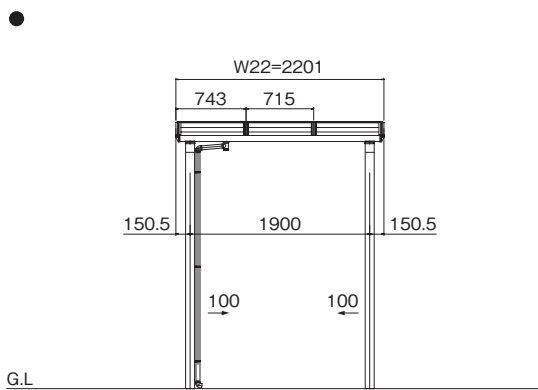
- Follow the instructions and be sure that all the specified screws and bolts for assembly are tightened securely
- Tighten the M8 bolts about 13Nm (130kgfcm) tightening torque.
- Do not use anything other than the specified parts or accessory parts.
- The foundation should comply with the certified engineering specifications page 4 .
- Allow sufficient curing time for the concrete and do not place heavy objects on it or subject it to vibrations during curing.
- Caution note below to prevent aluminum materials corrode.

- (1) Do not use sea sand for the foundation since it contains salt and may cause corrosion. Do not use a cement enhancer, water-reducing agent or cryoprotectant. They may cause the posts to corrode.
- (2) Immediately wipe off any mortar or stains from the surface of the aluminum parts as they may cause corrosion.

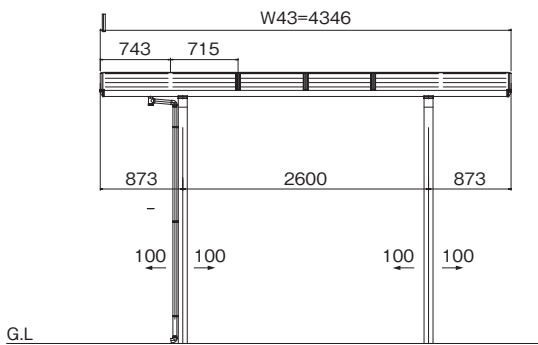


## Dimension, position of posts and base dimension

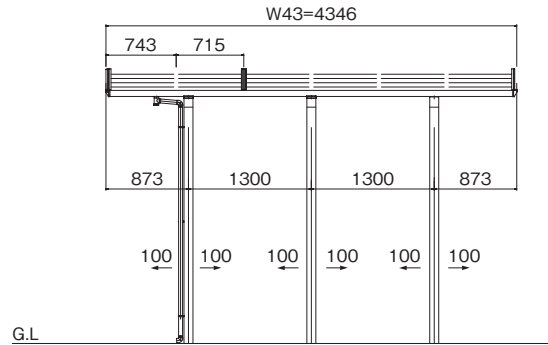
### Dimension, position of post



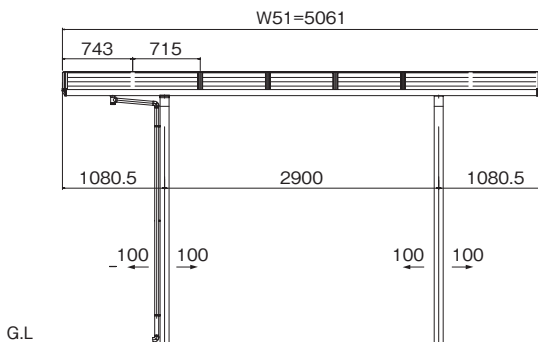
#### ● 43 size



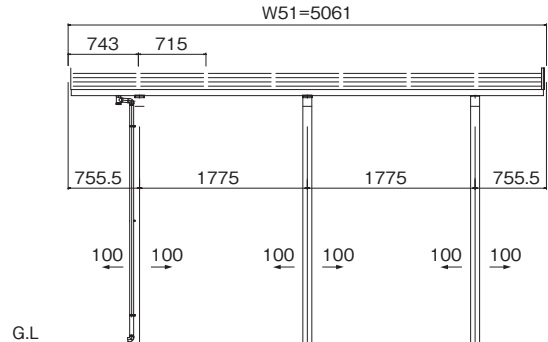
#### For D33 size



#### ● 51 size



#### For D33 size

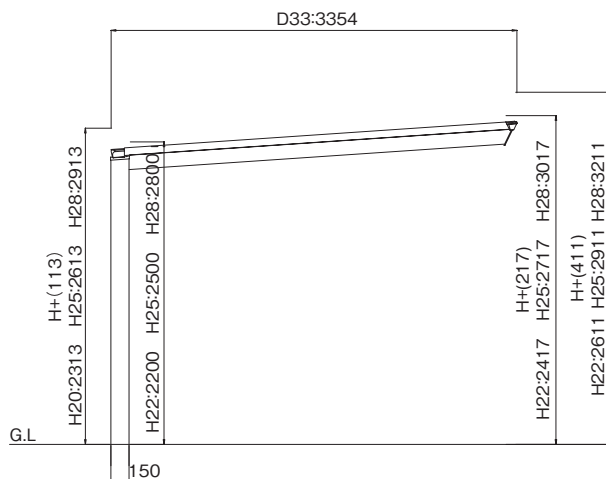
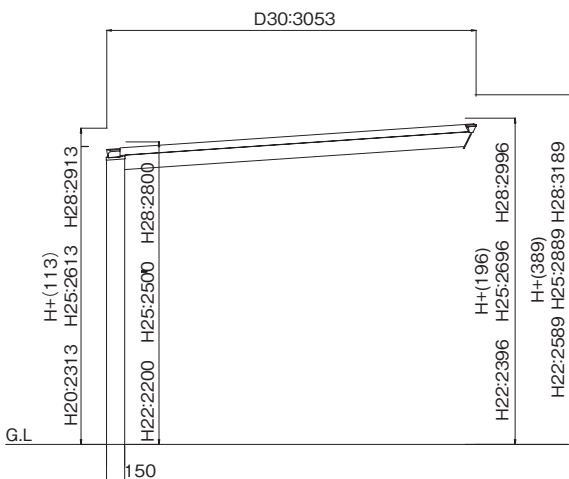
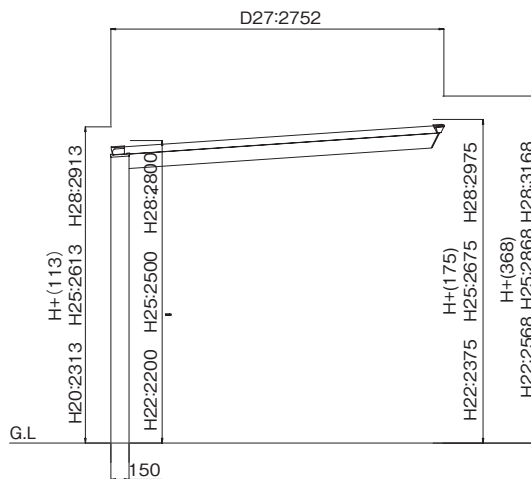
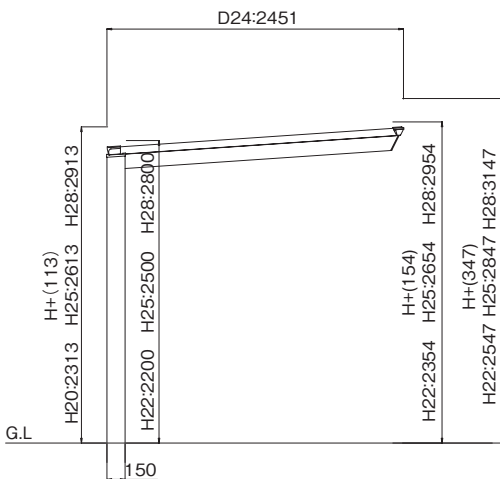
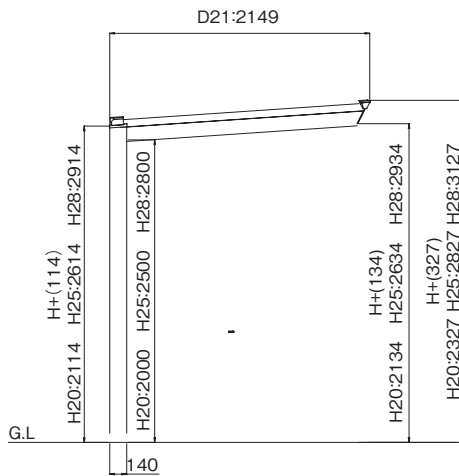
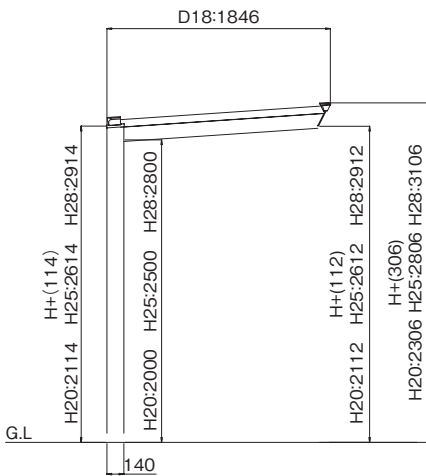
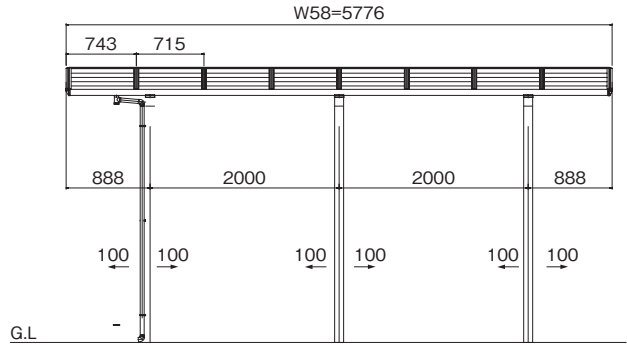
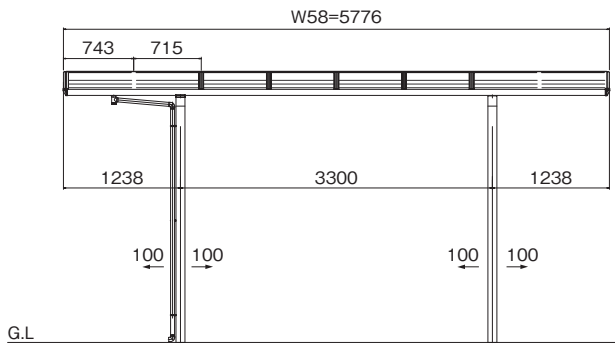


# Dimension, position of posts and base dimension

■ Depth dimension (D), height dimension (H)  
 [depth 18·21·24·27·30·33size]

● 58 size

For D33 size



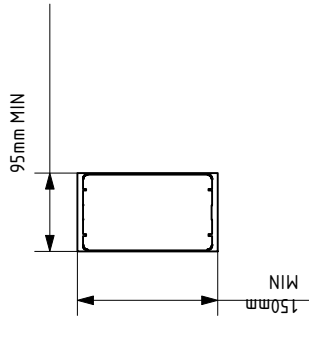


# CANTAPORT AUSTRALIA - PJR/PJF SERIES SHADE STRUCTURE

# GENERIC ENGINEERING

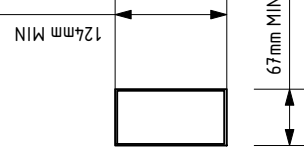
REV	BY	ISSUE / REVISION DESCRIPTION	DATE	TITLE	PROJECT No.	CLIENT	informed engineering	
0	RW	NOT FOR CONSTRUCTION	XXXX20	GENERIC DETAILS		CANTAPORT AUSTRALIA		
				APPROVED BY	001	PROJECT	A3	
				RUSSELL WHITE				
				MIE Aust CP Eng NER RPEQ RBP BPB				
		INFORMED ENGINEERING PTY LTD		ABN 72641093656		PO BOX 4055, BALWYN EAST, VIC 3103		





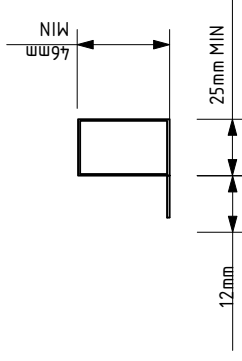
MINIMUM FLANGE THICKNESS 5.6mm  
MINIMUM WEB THICKNESS 1.6mm

**C1 SECTION DETAIL**



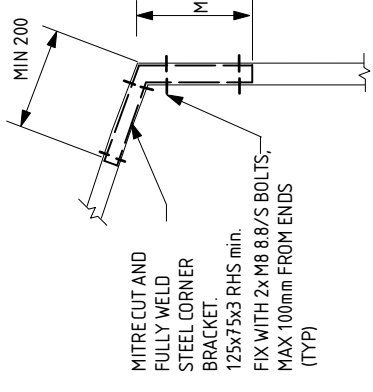
MINIMUM FLANGE THICKNESS 4.9mm  
MINIMUM WEB THICKNESS 2.0mm

**B1 SECTION DETAIL**



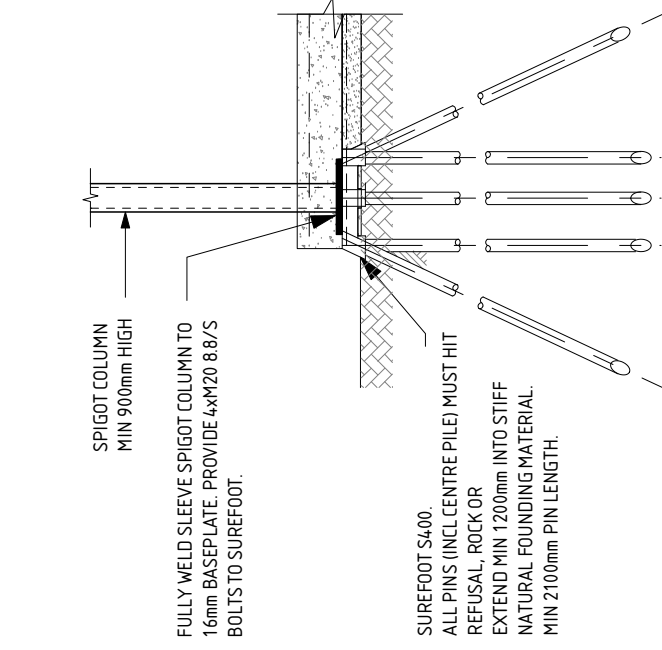
MINIMUM FLANGE THICKNESS 1.6mm  
MINIMUM WEB THICKNESS 1.1mm

**P1 SECTION DETAIL**



**CORNER BRACKET DETAIL**

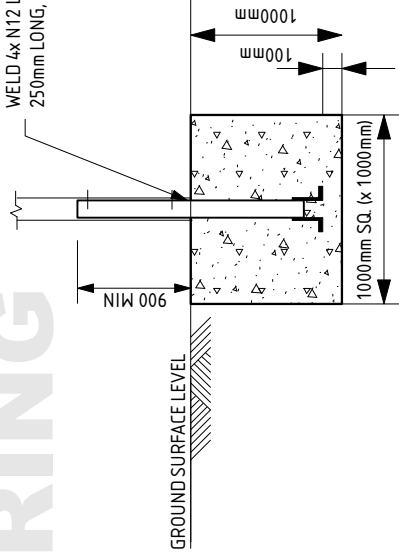
# GENERIC ENGINEERING



**SUREFOOT OPTION**

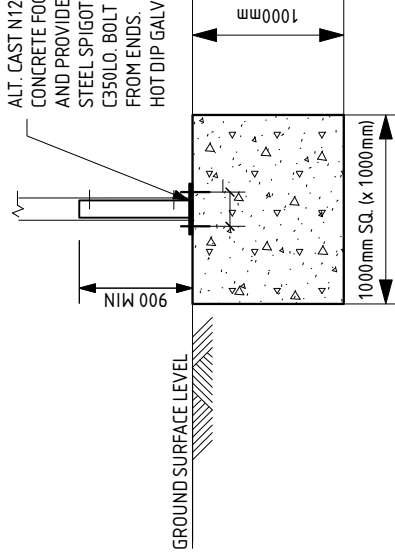
NOTES:  
a) HOLES MAY NEED TO BE PREDRILLED WHEN ENCOUNTERING ROCK, REFER TO SUREFOOT RECOMMENDATIONS.  
b) IF FILL ENCOUNTERED, REFER BACK TO THIS OFFICE.

STEEL COLUMN SPIGOT EMBEDDED INTO FOOTING (min 2/65x3 SHS WITH Ø16mm WELDED ROD SPACERS OR 125PFC). BOLT TO C1 VIA 2xM16 BOLTS, MAX 100mm FROM ENDS.  
WELD 4x N12 LUGS TO BASE OF SPIGOT, 250mm LONG, 100mm COG.

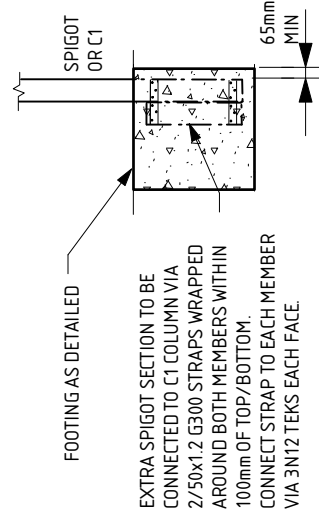


**FOOTING PAD OPTION WITH EMBEDDED SPIGOT SLEEVE**

STEEL COLUMN SPIGOT FULLY WELDED TO 450SQ x 16PL BASEPLATE FIX TO CONCRETE FOOTING VIA 4x M12 RAMSET CHEMSET 101 PLUS TYP. 8.8 GRADE THREADED ROD ANCHORS, MIN 300mm EMBEDMENT.  
ALT. CAST N12 J-BAR RODS MIN 350mm INTO CONCRETE FOOTING, 100mm COG, THREAD AT TOP AND PROVIDE NUT TO BASEPLATE OVER.  
STEEL SPIGOT TO BE 125PFC OR 2/65x3.0mm SHS C350L0. BOLT TO C1 VIA 2xM16 BOLTS, MAX 100mm FROM ENDS.  
HOT DIP GALV ASSEMBLY.



**FOOTING PAD OPTION WITH SPIGOT SLEEVE**

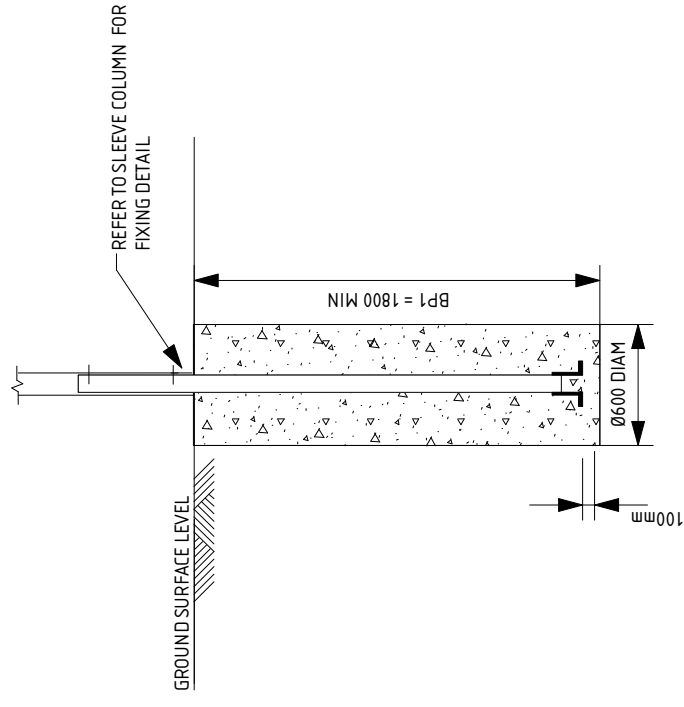


**FOOTING PAD WITH OFFSET COLUMN OPTION**

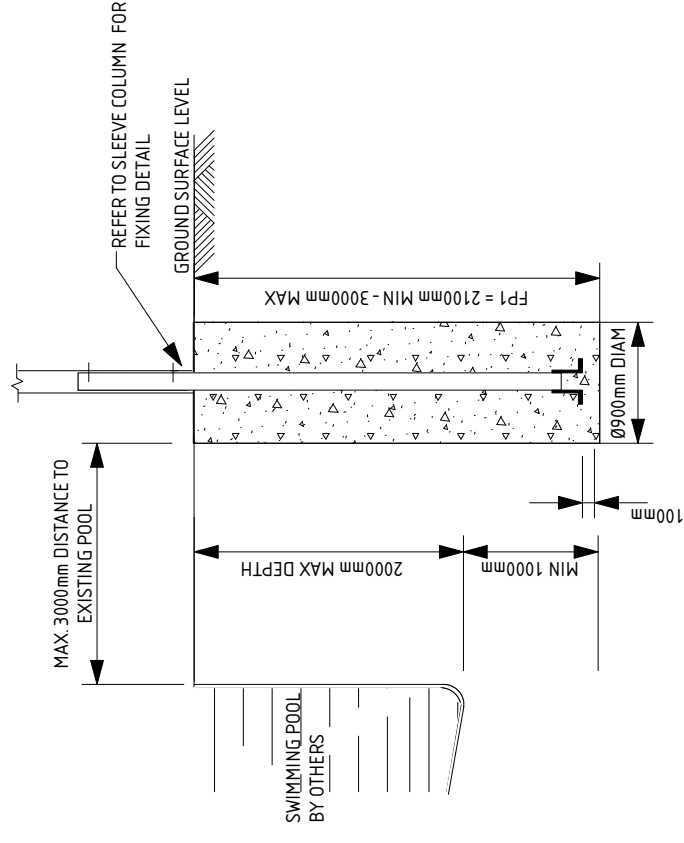
FOOTING AS DETAILED  
EXTRA SPIGOT SECTION TO BE CONNECTED TO C1 COLUMN VIA 2/50x1.2 G300 STRAPS WRAPPED AROUND BOTH MEMBERS WITHIN 100mm OF TOP/BOTTOM.  
CONNECT STRAP TO EACH MEMBER VIA 3N12 TEKS EACH FACE

REV	BY	ISSUE / REVISION DESCRIPTION	DATE	TITLE	PROJECT No.	CLIENT
0	RW	NOT FOR CONSTRUCTION	XXXX.20	DETAILS	NTS 201 A3	CANTAPORT AUSTRALIA

APPROVED BY  
**RUSSELL WHITE**  
MIE Aust CPEng NER RPEQ RBP BPP

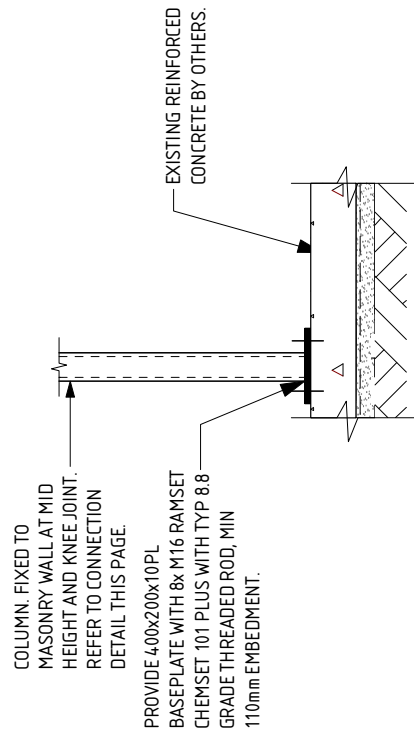


**BORED PIER FOOTING DETAIL**

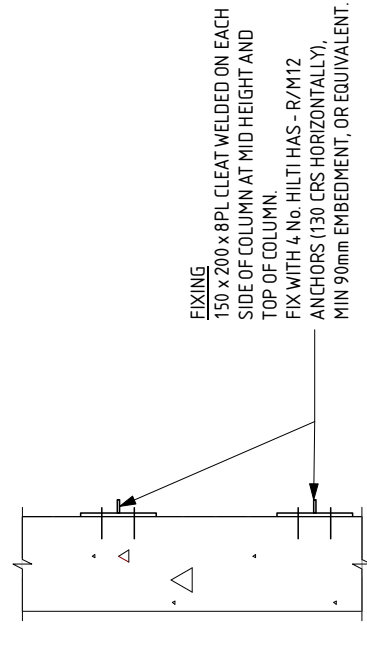


**BORED PIER FOOTING ADJACENT POOL**

# GENERIC ENGINEERING



**EXISTING SLAB CONNECTION DETAIL**



**WALL FIXING CLEAT DETAIL**

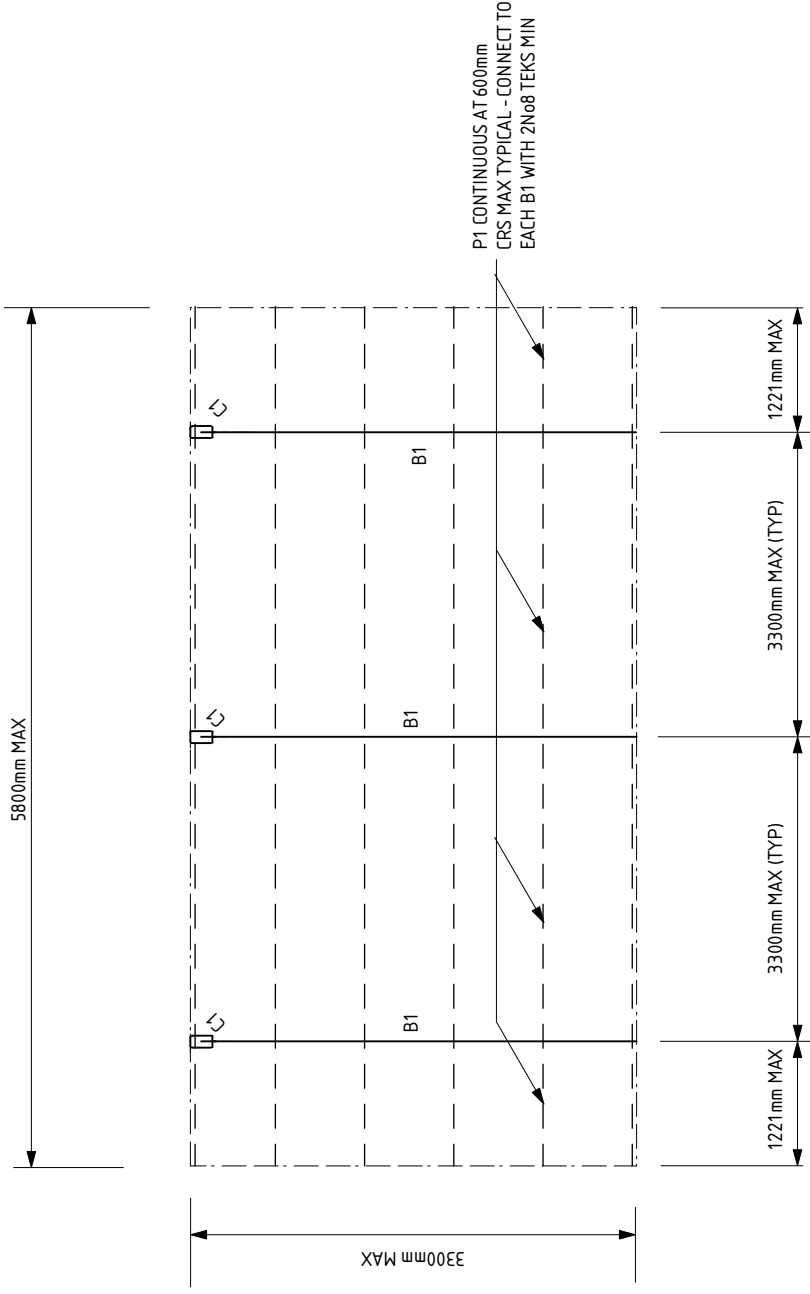
- NOTE:
1. LOCATE AT LEAST 500mm FROM ALL OPENINGS.
  2. MIN BRICK WALL HEIGHT REQUIRED ABOVE MID HEIGHT FIXING IS 1.2m.
  3. FIX AT MID HEIGHT OF COLUMN AND ALSO WITHIN 300mm OF KNEE JOINT.
  4. BRICK VENEER CONSTRUCTION TO BE IN ACCORDANCE WITH NCC AND AS3700.

REV	BY	ISSUE / REVISION DESCRIPTION	DATE	TITLE	PROJECT No.	CLIENT
0	RW	NOT FOR CONSTRUCTION	XXXX.20	DETAILS	NTS 202 A3	CANTAPORT AUSTRALIA

APPROVED BY  
**RUSSELL WHITE**  
 MIE Aust CPEng NER RPEQ RBP BPP

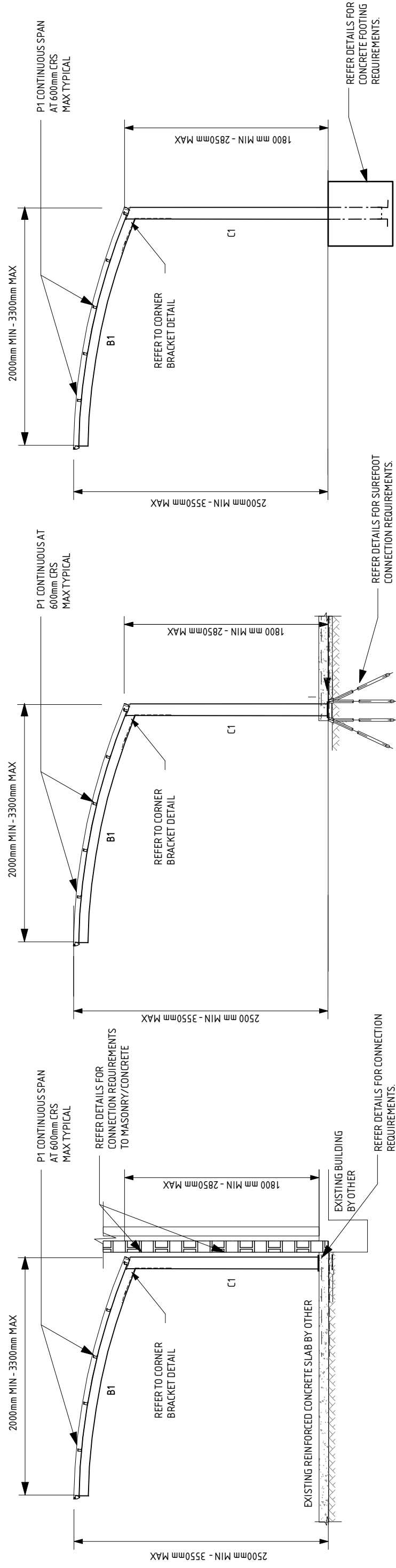


**CANTAPORT SHADING SYSTEMS PJR SERIES**  
**3300mm MAX. CANOPY WIDTH**  
**WITH SUPPORT OPTIONS SHOWN IN SIDE ELEVATION**



**GENERIC ENGINEERING**

**PLAN**



**SIDE ELEVATION**

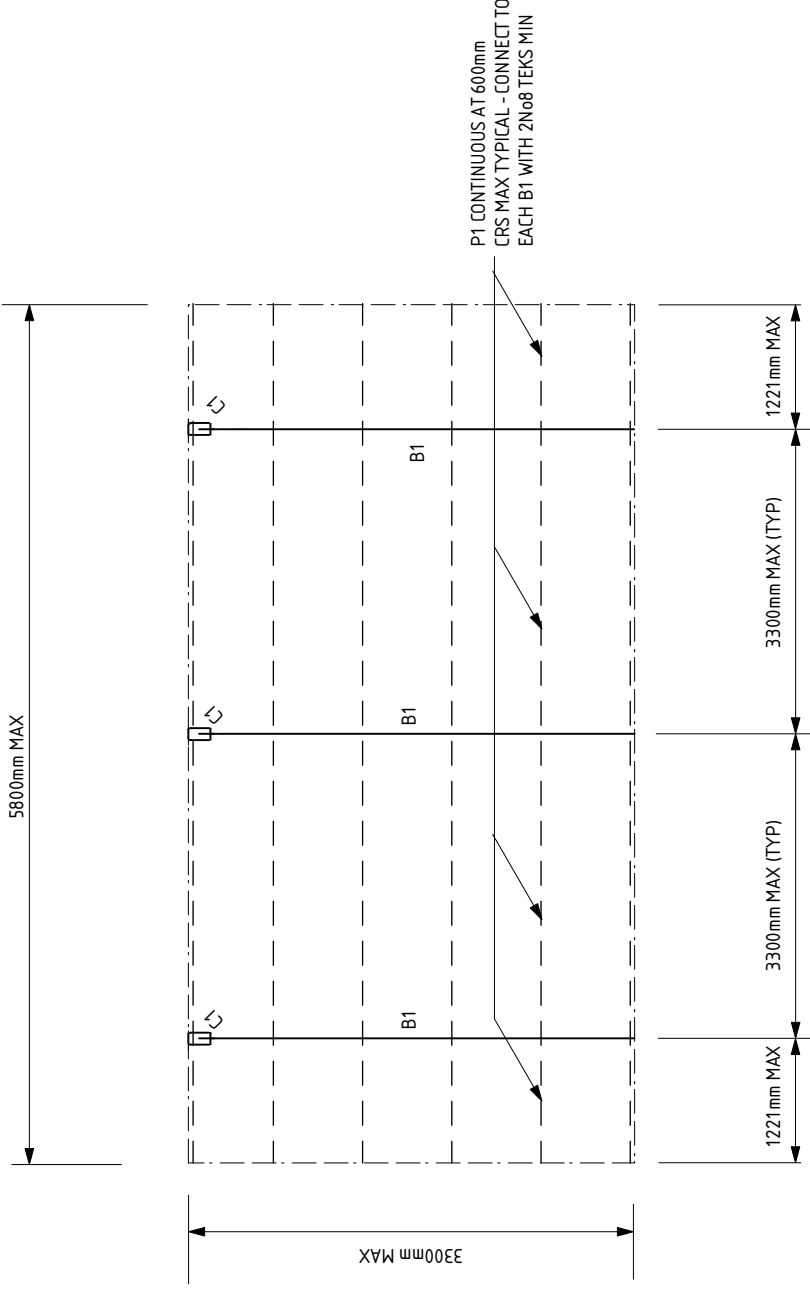
**SIDE ELEVATION**

**SIDE ELEVATION**

REV	BY	ISSUE / REVISION DESCRIPTION	DATE	TITLE	PROJECT No.	CLIENT
0	RW	NOT FOR CONSTRUCTION	XXXX.20	PLAN AND ELEVATION	NTS 301 A3	CANTAPORT AUSTRALIA
APPROVED BY				PROJECT		
RUSSELL WHITE MIE Aust CPEng NER RPEQ RBP BPP						
INFORMED ENGINEERING PTY LTD ABN 72641093656 PO BOX 4055, BALWYN EAST, VIC 3103						

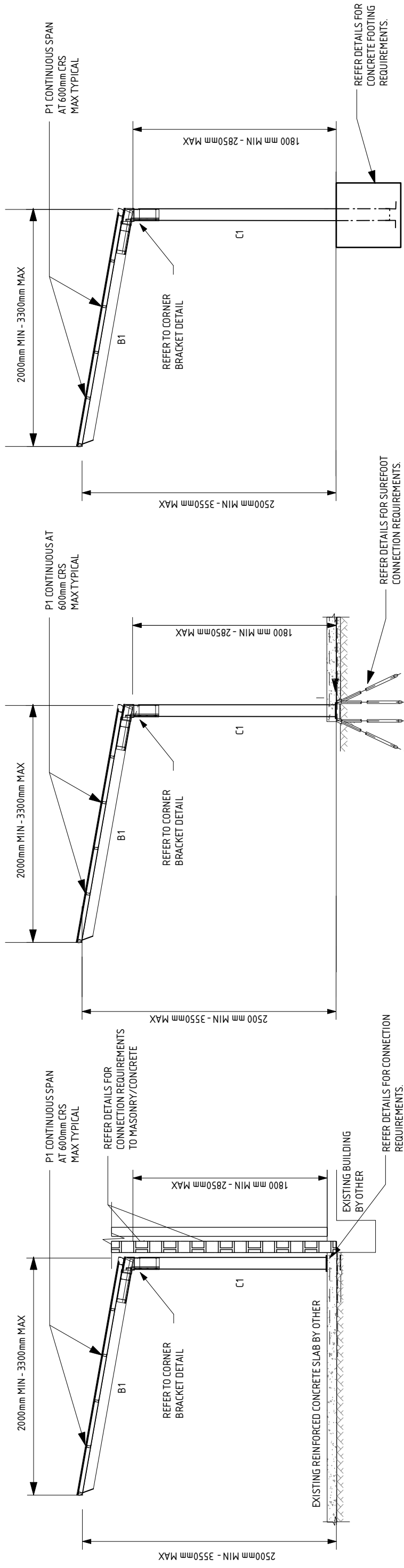
APPROVED BY		PROJECT	
RUSSELL WHITE MIE Aust CPEng NER RPEQ RBP BPP			
NTS 301 A3	PROJECT		
CANTAPORT AUSTRALIA			

**CANTAPORT SHADING SYSTEMS PJF SERIES -  
3300mm MAX. CANOPY WIDTH  
WITH SUPPORT OPTIONS SHOWN IN SIDE ELEVATION**



**GENERIC ENGINEERING**

**PLAN**



**SIDE ELEVATION**

**SIDE ELEVATION**

**SIDE ELEVATION**

REV	BY	ISSUE / REVISION DESCRIPTION	DATE	TITLE	PROJECT No.	CLIENT
0	RW	NOT FOR CONSTRUCTION	XXXX.20	PLAN AND ELEVATION	NTS 302 A3	CANTAPORT AUSTRALIA

APPROVED BY  
**RUSSELL WHITE**  
MIE Aust CPEng NER RPEQ RBP BPB

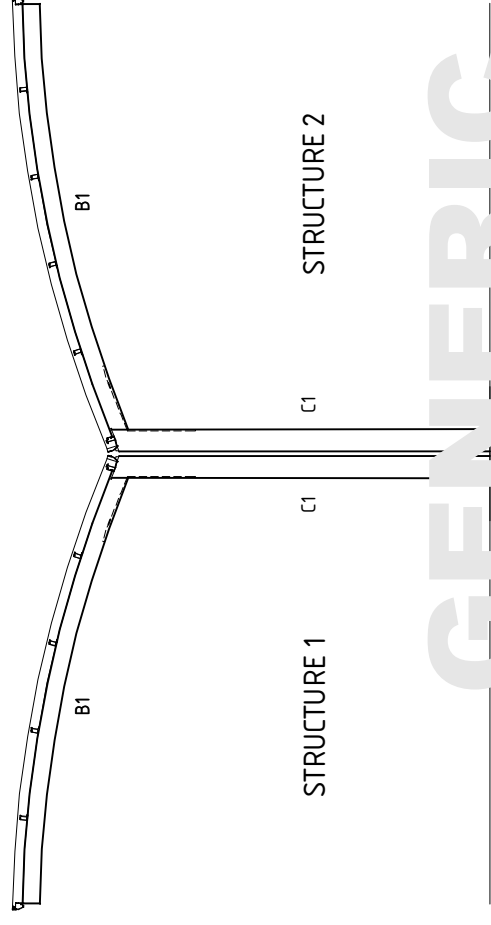
PROJECT

CANTAPORT AUSTRALIA

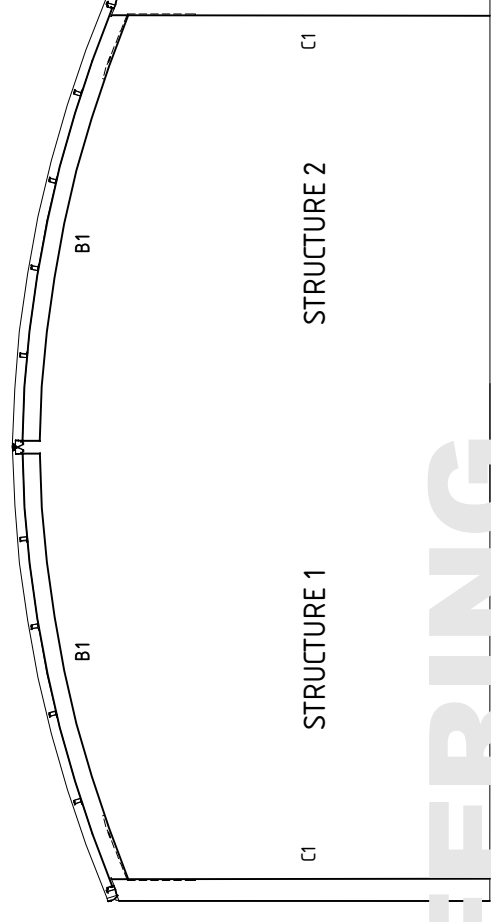
**informed**  
engineering

CANTAPORT SHADING SYSTEMS PJR/PJF SERIES  
M-CONNECT/Y-CONNECT/INLINE CONNECT TYPICAL  
CONFIGURATIONS ONLY, FOR MULTIPLE STRUCTURES.  
COMPLEXING DETAILS AS PER MANUFACTURERS  
SPECIFICATIONS.

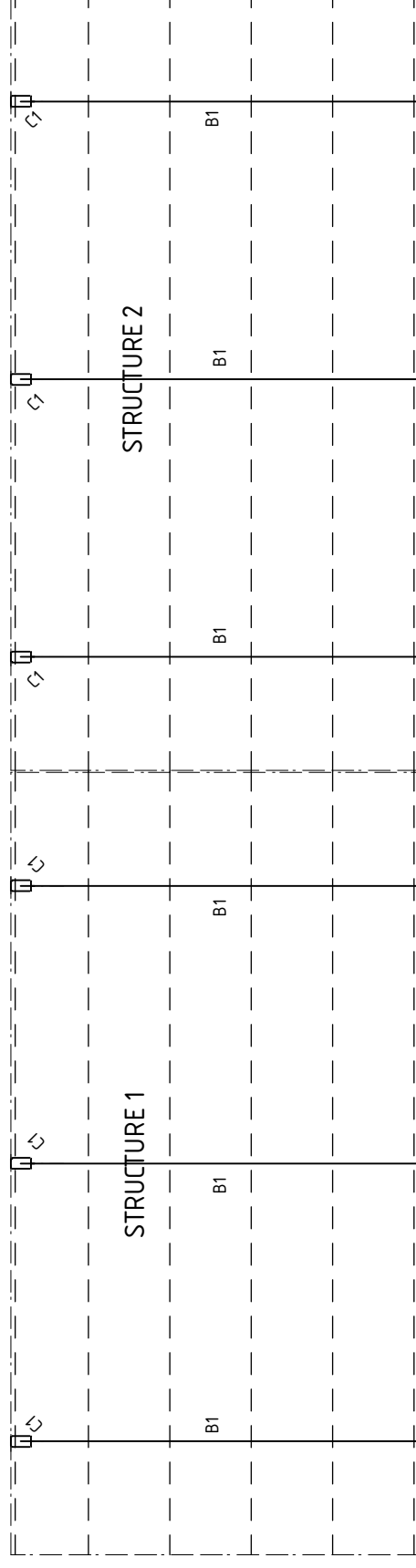
NOTE: EACH INDIVIDUAL STRUCTURE TO BE  
CERTIFIED, REFER TO CERTIFICATE OF COMPLIANCE  
FOR TOTAL NUMBER OF CERTIFIED STRUCTURES.



**TYP. Y-CONNECT**



**TYP. M-CONNECT**



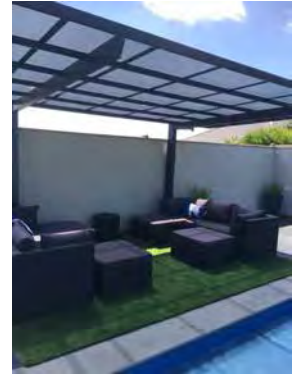
**TYP. INLINE-CONNECT**

REV	BY	ISSUE / REVISION DESCRIPTION	DATE	TITLE	PROJECT No.	CLIENT
0	RW	NOT FOR CONSTRUCTION	XXXX.20	PLAN AND ELEVATION		CANTAPORT AUSTRALIA
				APPROVED BY	NTS	PROJECT
				RUSSELL WHITE	305	A3
				MIE.Aust.CPEng NER RPEQ RBP BPP		

## Post·beam·main frame list

Post type	①	②	③	④	⑤	⑥	⑦
Section							
Parts ID	PJFH-20A PJFH-25A PJFH-20A-1 PJFH-25A-1	PJFH-20B PJFH-25B PJFH-20B-1 PJFH-25B-1	PJFH-22C PJFH-25C PJFH-22C-1 PJFH-25C-1	PJFH-22D PJFH-25D PJFH-22D-1 PJFH-25D-1	PJFH-22E PJFH-25E PJFH-22E-1 PJFH-25E-1	PJFH-28F-1	PJFH-28G-1

Beam type	①	②	③	④	⑤	
Section						
Parts ID	PJFT-2218A PJFT-2221A PJFT-2918A PJFT-2921A PJFT-4318A PJFT-4321A PJFT-4324A PJFT-5118A	PJFT-5121A PJFT-5124A PJFT-5818A	PJFT-4327B PJFT-5821B	PJFT-4333C PJFT-5127C PJFT-5824C	PJFT-4330D PJFT-5133D PJFT-5827D	PJFT-5130E PJFT-5830E PJFT-5833E



Main frame type	①	②	③	④
Section				
Parts ID	PJFY-W22A-2 PJFY-W43A-4 PJFY-W51A-4 PJFY-W58A-4	PJFY-W43B-2 PJFY-W43B-3 PJFY-W43B-4 PJFY-W51B-3 PJFY-W51B-4	PJFY-W51C-2 PJFY-W58C-4	PJFY-W29D-2 PJFY-W58D-2 PJFY-W58D-3



## Parts instruction guide

Type		Component parts				
Body size	Depth D	Post			Beam	Main frame
		Standard post	Long post	Extra-long post		
18	22	①	①	⑥	①	①
	29					④
	43					②
	51					③
	58					④
21	22	②	②	⑦	②	①
	29					④
	43					②
	51					③
	58					④
24	43	③	③	⑦	④	②
	51					③
	58					④
27	43	④	④	⑦	④	②
	51					③
	58					④
30	43	⑤	⑤	⑦	⑤	②
	51					④
	58					⑤
33	43	⑤	⑤	⑦	⑤	①
	51					④
	58					⑤



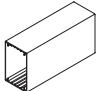
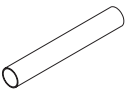

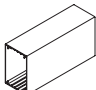
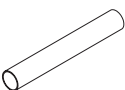
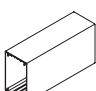

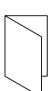
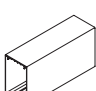

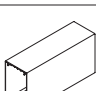


UC	KC	BNC	SLC	WH
Urban Gray	Black	Earth Brown	San Silver	Sand White

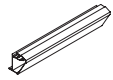
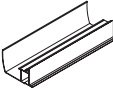
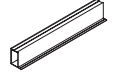


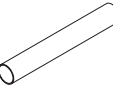
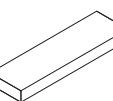


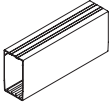
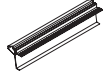




## Parts contents

- Please open the captioned carton and check all contents in advance.
- Please check the parts defective or any damage.
- After opening the carton boxes, please store the products so that they are not damaged.
- We packed some extra screw in the parts box. (x) number is necessary Q'ty for installation.


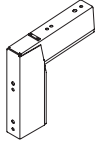
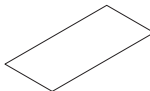
When △mark is P, it's the polycarbonate panel.  
 When △mark is PS, it's polycarbonate panel (SI)  
 When △mark is CP, it's the heat protection polycarbonate panel.  
 When △mark is CH, it's heat protection FRP (SI)

Parts ID	Content		
	Description	Shape	Quantity
Post set (standard) PJFH-20A PJFH-20B PJFH-22C PJFH-22D PJFH-22E	Post		2
	Round gutter GA4923		1
	Instruction manual		1
Post set (1pc) (standard) PJFH-20A-1 PJFH-20B-1 PJFH-22C-1 PJFH-22D-1 PJFH-22E-1	Post		1
	Round gutter GA4923		1
Post set (long post) PJFH-25A PJFH-25B PJFH-25C PJFH-25D PJFH-25E	Post		2
	Round gutter GA4923		1
	Instruction manual		1
Post set (1pc) (long post) PJFH-25A-1 PJFH-25B-1 PJFH-25C-1 PJFH-25D-1 PJFH-25E-1	Post		1
	Round gutter GA4923		1
Post set (extra-long post) PJFH-28F-1 PJFH-28G-1	Post		1
	Round gutter GA4923		1
	Instruction manual		1

Parts ID	Content			
	Description	Shape	Quantity	
Length set PJFY-W22A-2 PJFY-W29D-2 PJFY-W43A-4 PJFY-W43B-2 PJFY-W43B-3 PJFY-W43B-4 PJFY-W51A-4 PJFY-W51C-2 PJFY-W51B-3 PJFY-W51B-4 PJFY-W58A-4 PJFY-W58D-2 PJFY-W58D-3 PJFY-W58C-4	Front frame		1	
	Gutter		1	
	Main frame		PJFY-W22A-2	2
			PJFY-W29D-2	2
			PJFY-W43A-4	4
			PJFY-W43B-2	2
			PJFY-W43B-3	3
			PJFY-W43B-4	4
			PJFY-W51A-4	4
			PJFY-W51C-2	2
			PJFY-W51B-3	3
			PJFY-W51B-4	4
	PJFY-W58A-4	4		
	PJFY-W58D-2	2		
	PJFY-W58D-3	3		
PJFY-W58C-4	4			
Panel holder (middle) L=645		PJFY-W22A-2	2	
		PJFY-W29D-2	3	
		PJFY-W43A-4	5	
		PJFY-W51A-4	6	
Panel holder (end) L=300		PJFY-W58A-4	7	
		PJFY-W58D-2	2	
Round gutter GA4923		1		
Roof panel cushion GB8274		PJFY-W22A-2	6	
		PJFY-W29D-2	8	
		PJFY-W43A-4	24	
		PJFY-W43B-2	12	
		PJFY-W43B-3	18	
		PJFY-W43B-4	24	
		PJFY-W51A-4	28	
		PJFY-W51C-2	14	
		PJFY-W51B-3	21	
		PJFY-W51B-4	28	
		PJFY-W58A-4	32	
		PJFY-W58D-2	16	
PJFY-W58D-3	24			
PJFY-W58C-4	32			

Parts ID	Content				
	Description	Shape	Quantity		
Beam depth set PJFT-2218A PJFT-2221A PJFT-2918A PJFT-2921A PJFT-4318A PJFT-4321A PJFT-4324A PJFT-4327B PJFT-4330D PJFT-4333C PJFT-5118A PJFT-5121A PJFT-5124A PJFT-5127C PJFT-5130E PJFT-5133D PJFT-5818A PJFT-5821B PJFT-5824C PJFT-5827D PJFT-5830E PJFT-5833E	Beam		PJFT-220000	2	
			PJFT-290000		
			PJFT-430000		
			PJFT-510000		
			PJFT-580000		
			PJFT-4333C		3
			PJFT-5133D		
			PJFT-5833E		
	Side frame		2		
	Roof rafter		PJFT-220000	2	
			PJFT-290000	3	
			PJFT-430000	5	
			PJFT-510000	6	
			PJFT-580000	7	
			PJFT-5833E	7	
	Roof retainer (middle)		PJFT-220000	2	
			PJFT-290000	3	
			PJFT-430000	5	
			PJFT-510000	6	
			PJFT-580000	7	
Roof retainer (end)		2			
Small truss screw 5×10×10		PJFT-2218A	50(48)		
		PJFT-2221A	57(54)		
		PJFT-2918A	58(55)		
		PJFT-2921A	66(63)		
		PJFT-4318A	72(69)		
		PJFT-4321A	85(81)		
		PJFT-4324A	97(92)		
		PJFT-4327B	106(101)		
		PJFT-4330D	118(113)		
		PJFT-4333C	155(150)		
		PJFT-5118A	80(76)		
		PJFT-5121A	95(90)		
		PJFT-5124A	107(102)		
		PJFT-5127C	118(113)		
		PJFT-5130E	130(125)		
		PJFT-5133D	172(167)		
		PJFT-5818A	87(84)		
		PJFT-5821B	104(99)		
		PJFT-5824C	118(113)		
		PJFT-5827D	129(124)		
PJFT-5830E	143(138)				
PJFT-5833E	189(184)				

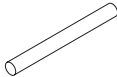






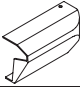
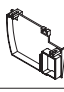


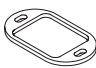

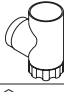
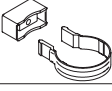


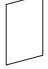




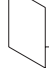
Parts ID	Content			
	Description	Shape	Quantity	
Drilling screw 4×10×8		PJFT-2200	30(28)	
		PJFT-2900	36(34)	
		PJFT-4318A	48(46)	
		PJFT-4321A		
		PJFT-4324A	56(53)	
		PJFT-4327B	63(60)	
		PJFT-4330D		
		PJFT-4333C	63(60)	
		PJFT-5118A	55(52)	
		PJFT-5121A		
		PJFT-5124A	63(60)	
		PJFT-5127C	71(68)	
		PJFT-5130E		
		PJFT-5133D	71(68)	
		PJFT-5818A	61(58)	
PJFT-5821B				
PJFT-5824C	70(67)			
PJFT-5827D				
PJFT-5830E	80(76)			
PJFT-5833E				
Corner parts set PJF-CBC-1 PJF-CBA PJF-CBB PJF-CBC	Corner bracket GB8065 GB8066 GB8067		PJF-CB0-1	1
			PJF-CB0	2
Roof panel set PJRY-△18-3 PJRY-△21-3 PJRY-△24-3 PJRY-△27-3 PJRY-△30-3 PJRY-△33-3 PJRY-△18-4 PJRY-△21-4 PJRY-△24-4 PJRY-△27-4 PJRY-△30-4 PJRY-△33-4	Roof panel GB4107 (Polycarbonate :AO, BR) GB8224 (Polycarbonate:SI) GB4575 (Heat protection polycarbonate) GB5626 (Heat protection FRP:SI)		PJRY-△00-3	3
			PJRY-△00-4	4

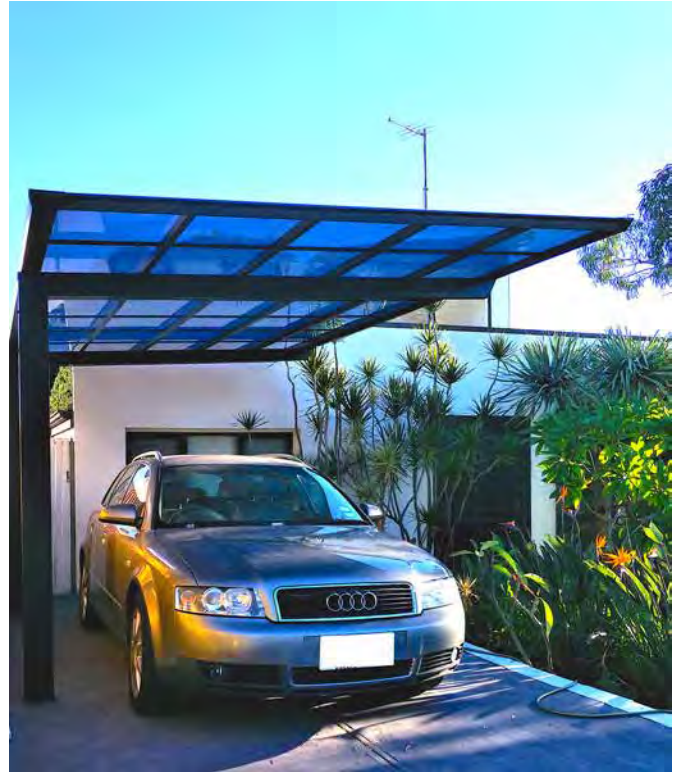


## Necessary tools and materials for installation

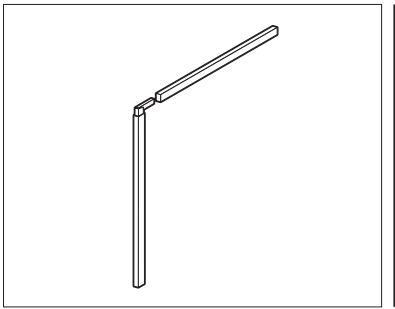
- Electric drill, Drill bits
- Ratchet wrench, Adjustable wrench
- Screwdriver
- Measure, Level, Plumb bob
- Foundation materials, concrete as per engineers specifications
- Sealant, silicon gun
- Drop saw for reducing or customising the structure
- Please prepare tools and materials as required

Parts ID	Content		
	Description	Shape	Quantity
Parts box PJFB-A PJFB-B PJFB-B-1	Anchor rod GA0073		PJFB-B-1 1
			PJFB-○ 2
Post cap GB8097 GB8098		PJFB-B-1 1	
		PJFB-○ 2	
Beam cap GB8099		PJFB-B-1 1	
		PJFB-○ 2	
Hole seal φ14 GA0150		PJFB-B-1 12	
		PJFB-○ 16	
Hexagon bolt (with spring washer, washer) M8×25 ES0249		PJFB-B-1 8	
		PJFB-○ 16	
Front frame cap GB8102		PJFB-○	Right Left each 1pc
Front frame end cover GB8103		PJFB-○	Right Left each 1pc
Gutter cap GB8100		PPJFB-○	Right Left each 1pc
Gutter end cover GB8101		PJFB-○	Right Left each 1pc
Small truss screw 5×10×10		PJFB-B-1	13(12)
Gutter attachment GA4929		PJFB-○	1
Gasket GA4930		PJFB-○	1
Elbow GA4932		PJFB-○	2
Drain elbow GA6461		PJFB-○	1
Saddle GB8077		PJFB-○	3
Drilling screw 4×10×8		PJFB-○	6(5)
Glue GA4934		PJFB-○	1
Caution label GLZ20C		PJFB-○	1
Product name label HY0174		PJFB-○	1

Parts ID	Content		
	Description	Shape	Quantity
	Snow label HY0177		PJFB-○ 1
	Assembling manual		PJFB-○ 1

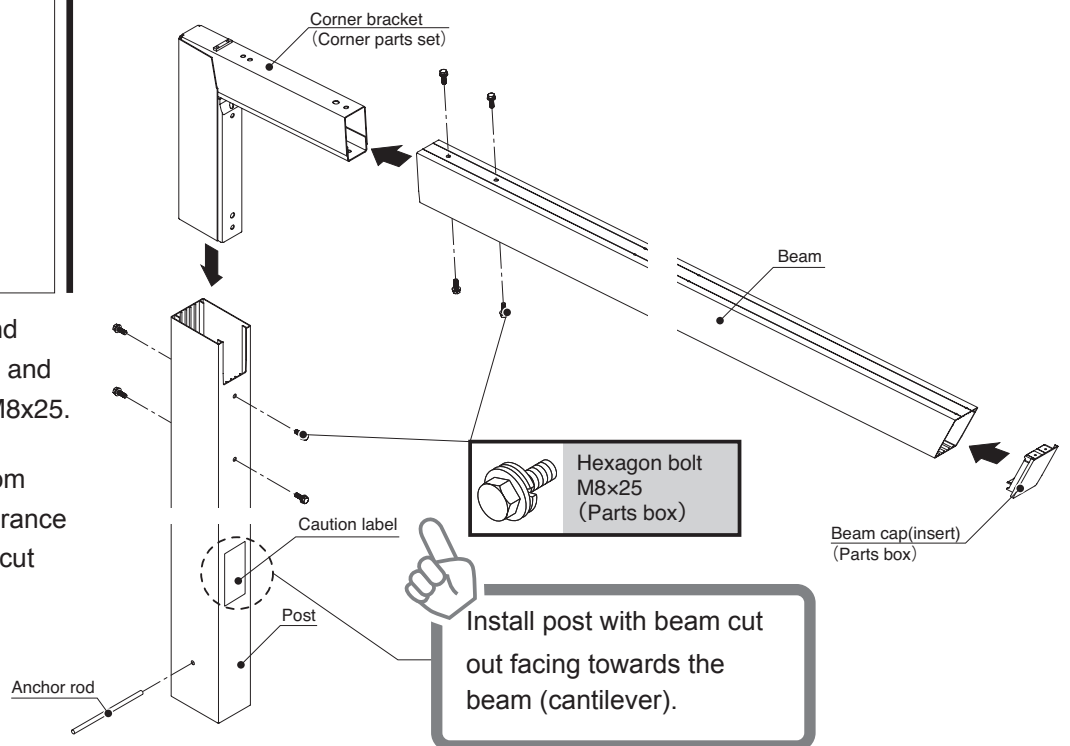


## 1 Installation of posts and beams

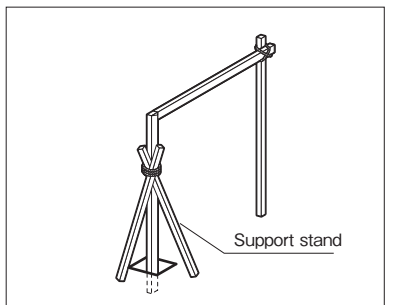


- Connect between post and beam with corner bracket and fix it with hexagon bolts M8x25.

Take the overall height from ground level to beam clearance from the underside of the cut out. Heights on Page 2



## 2 Installation to base hole



**Step 1**  
Insert the post into the base hole, and fix with support stand.

### FOUNDATIONS

1. All soil testing to be carried out by the engineer soil type and conditions. 2. Remove all topsoil containing vegetation & deleterious fill material from the building site.

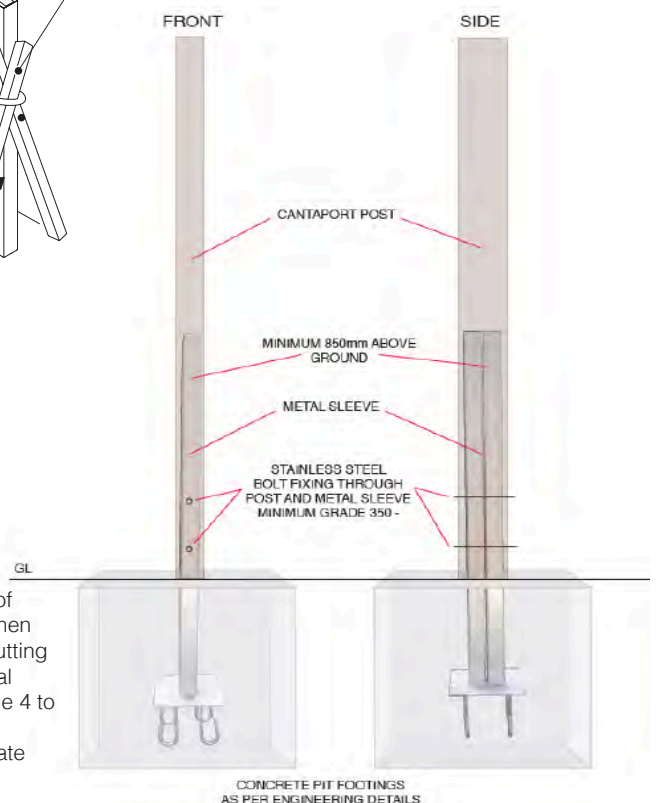
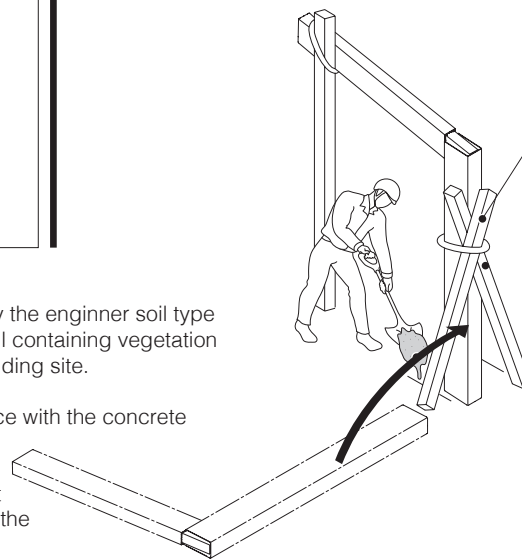
### Concrete Notes :

1. All concrete shall be in accordance with the concrete structure code AS 3600.
2. Blended cement (type GB) shall conform with AS 3972 3. Water must not be added to the mix to increase the slump at any time.
3. Concrete shall be supplied by an approved pre-mixed company and conform to the following unless noted otherwise :

GRADE SLUMP MAX. AGG. FOOTINGS N20 80mm 30mm

### METAL SLEEVES

Metal sleeves assist with the installation and also act as a further stiffener and support to the structure. The metal sleeves are inserted into the concrete footing of 650mm. The balance of the metal sleeve is above ground level. The cantaport post then slides over the metal sleeve. The height of the cantaport posts can be adjusted by cutting from the base of the post. The metal sleeve eliminates error in height. Baseplate metal sleeves can also be ordered for plate and bolt fixing. See engineering details on page 4 to determine if the application is suitable for your application. Alternative option is the SUREFOOT system. More details on page 4. Metal sleeves are available as a separate accessory.

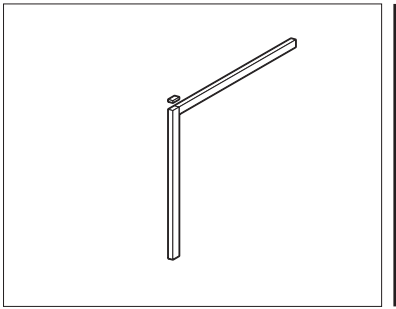




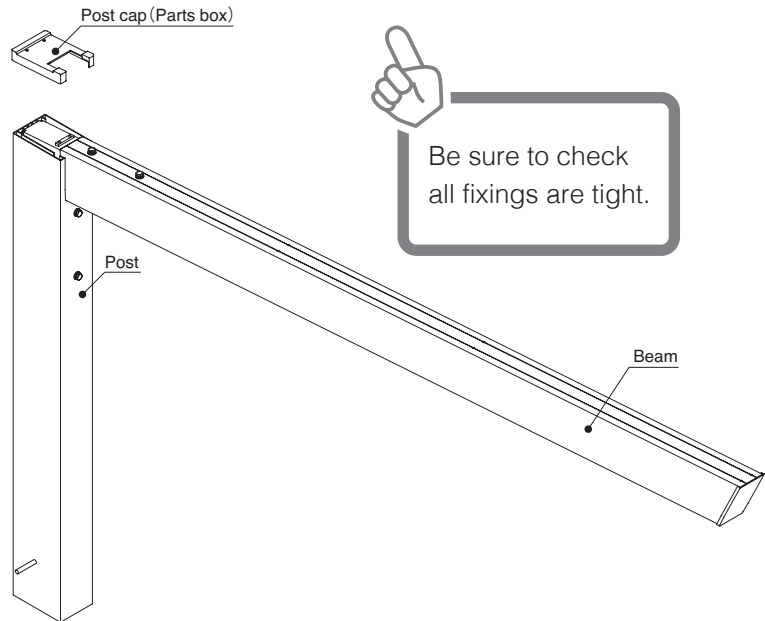
OPTIONS ON BRACING METAL SLEEVES.



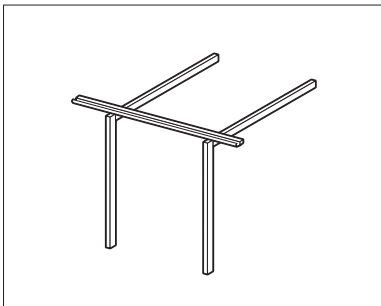
### 3 Attaching the post cap



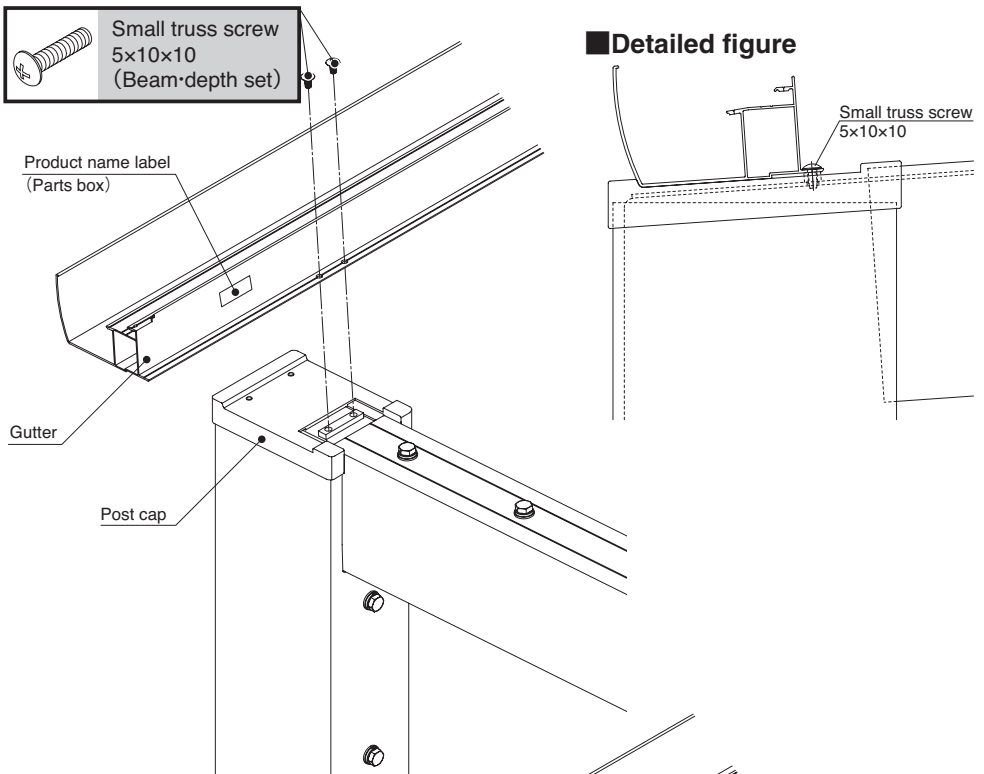
- Attach the post cap onto the post.



### 4 Installation of gutter

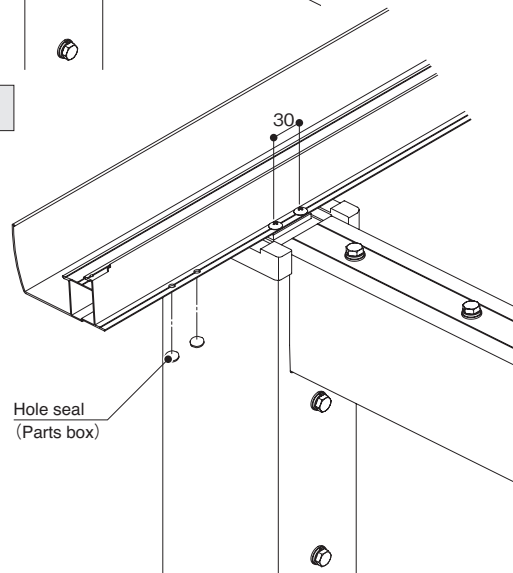


- Install the gutter to the corner bracket with small truss screw 5x10x10, and put the product name label to the gutter.

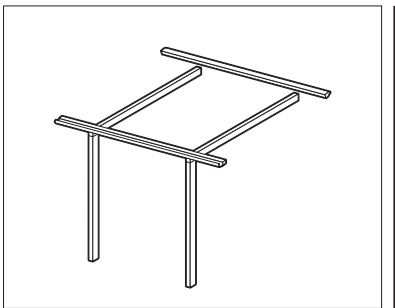


#### If relocating post from the post standard position.

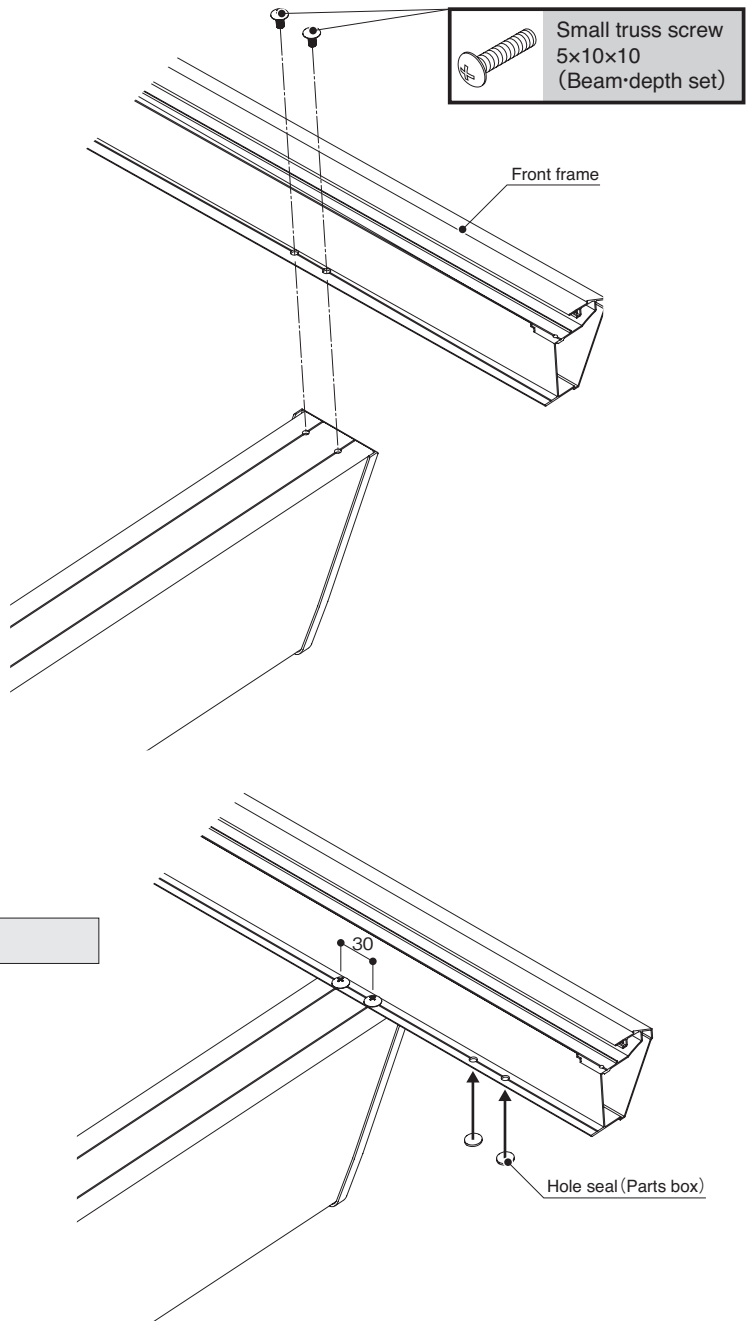
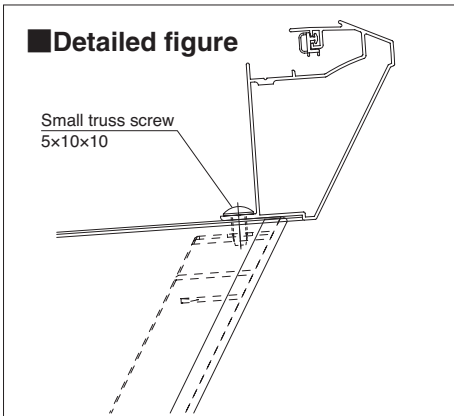
- ① Make the hole ( $\phi 5.5$ ) adjusting the post position and screw with 5x10x10 truss screws.
- ② Exposed holes can be covered with sticky dots.



## 5 Installation of front frame



- Install the front frame to the beam with small truss screw 5x10x10.

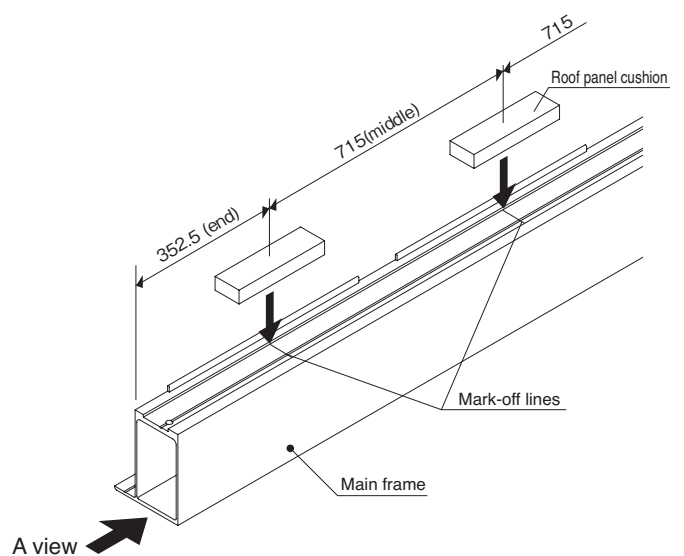
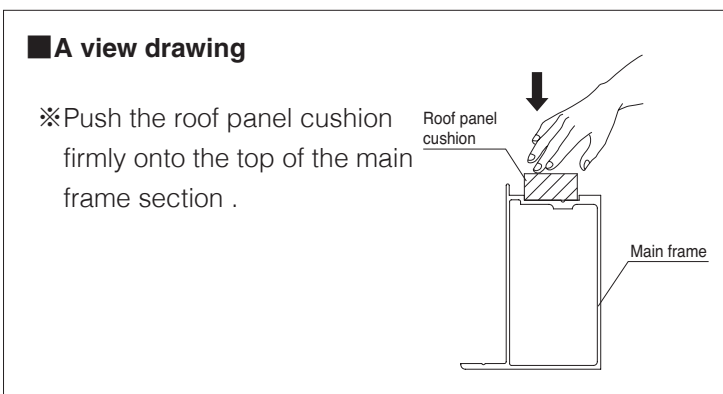


### If relocating beam from the beam standard position.

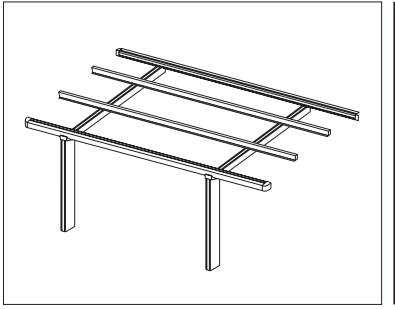
- ① Make the hole ( $\phi 5.5$ ) adjusting the post position and screw with 5x10x10 truss screws.
- ② Exposed holes can be covered with sticky dots.

## 6 Attaching the roof panel cushions

- Attach the roof panel cushions on the marked etched lines on top of main frame.

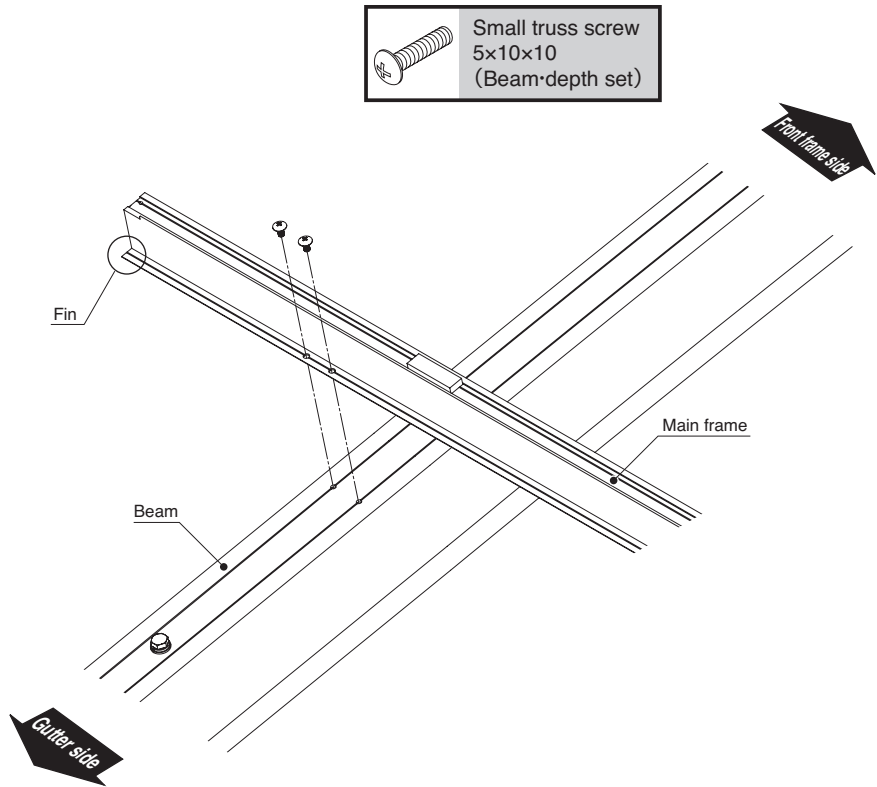


## 7 Installation of main frame



- Install the main frame to the beam adjusting the guide hole with small truss screw 5x10x10.

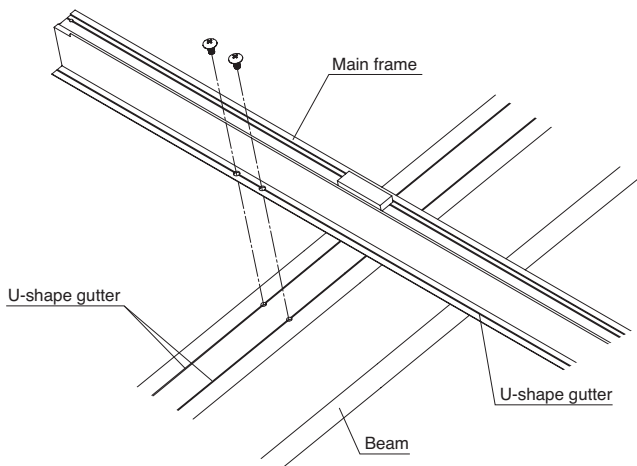
※NOTE: fin of main frame purlin to face towards the gutter end.



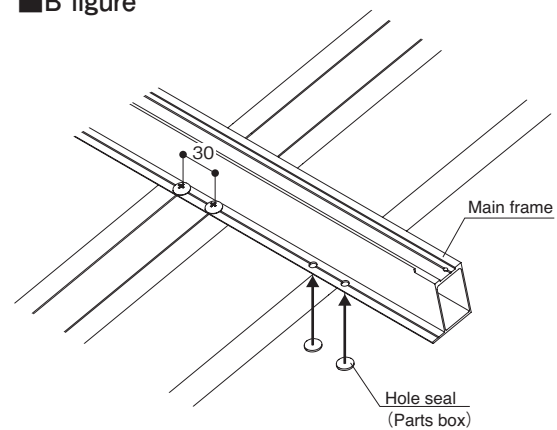
### If relocating post & beam from the standard position.

- Make the  $\phi 5.5$  holes on the main frame adjusting the U-shape gutter on the beam and main frame, and screw using 5x10x10 truss screw (A figure)
- Exposed holes can be covered with sticky dots. (B figure)

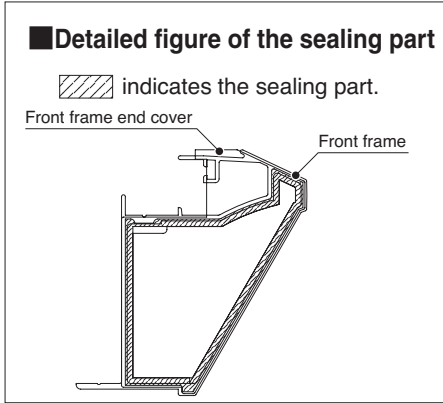
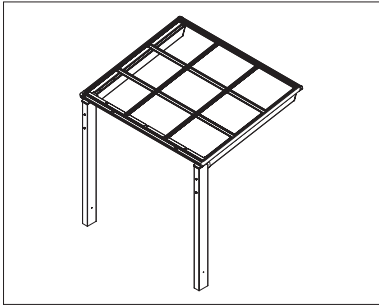
■ A figure



■ B figure



# 8 Installation of side frame



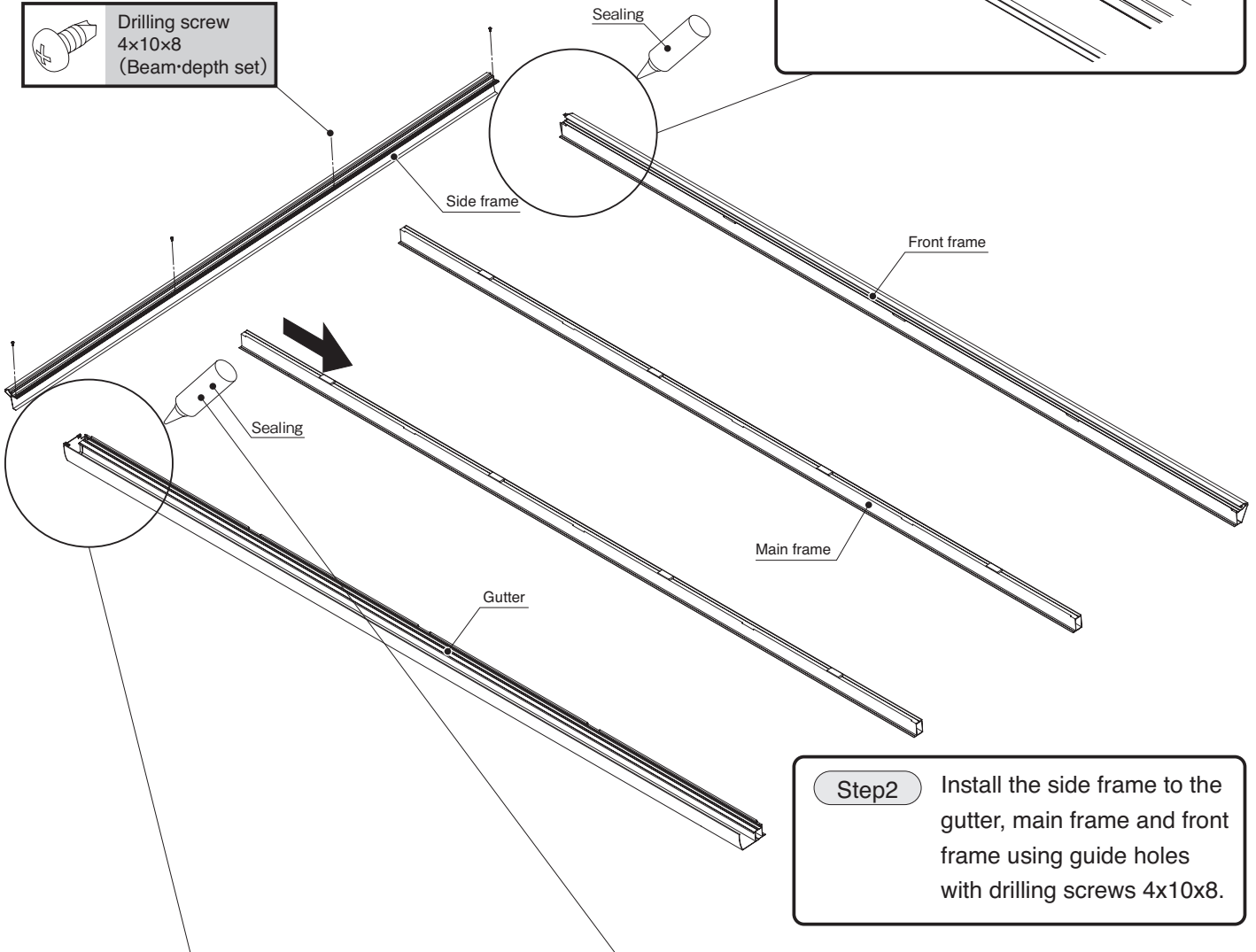
**Step1** After sealing part of the front frame and side frame insert the front frame end cover into front frame.

Front frame end cover (Parts box)

Insert

Front frame

Drilling screw  
4x10x8  
(Beam-depth set)



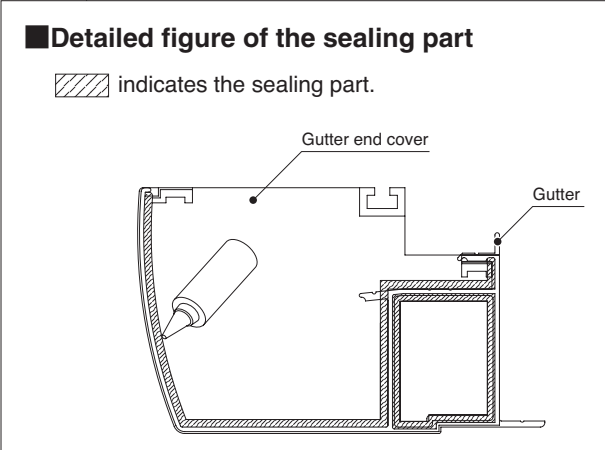
**Step2** Install the side frame to the gutter, main frame and front frame using guide holes with drilling screws 4x10x8.

**Step1** After sealing the gutter and side frame, insert the gutter end cover into gutter.

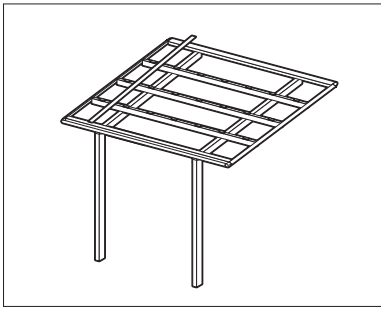
Gutter end cover

Insert

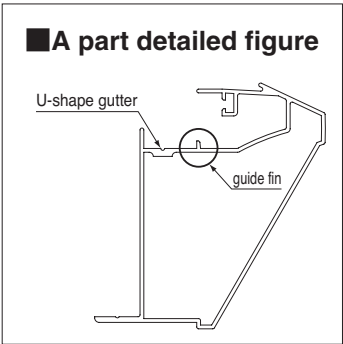
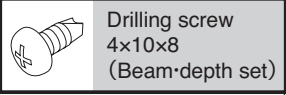
Gutter



# 9 Installation of roof rafter

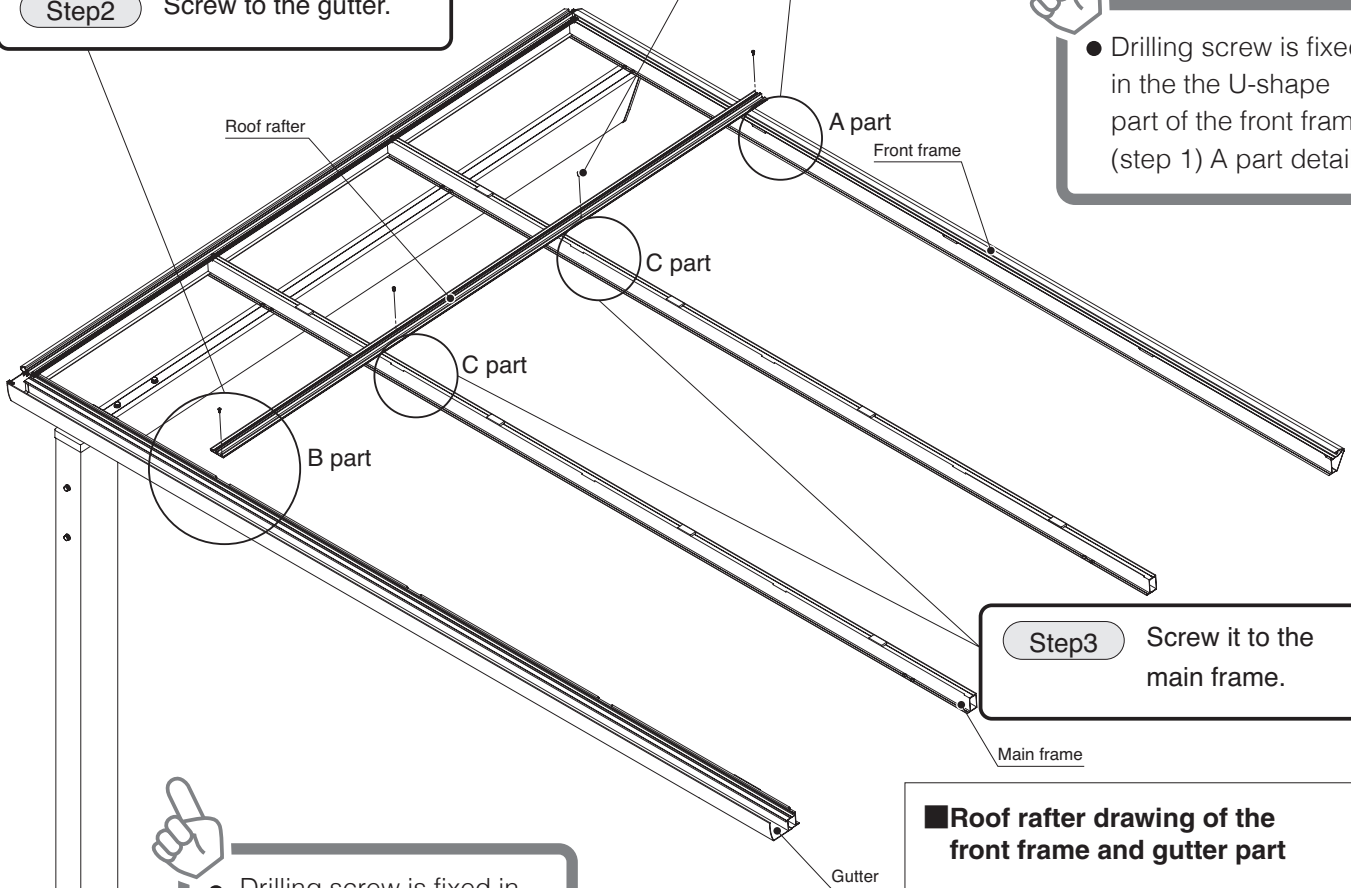


**Step1** Screw the roof rafter first to the front frame. The rafter is placed in front of the guide fin. See A part



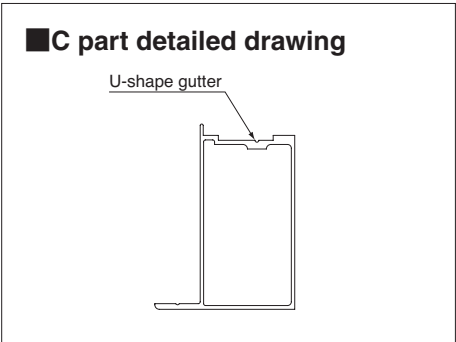
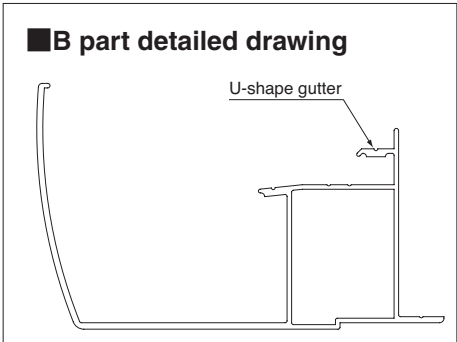
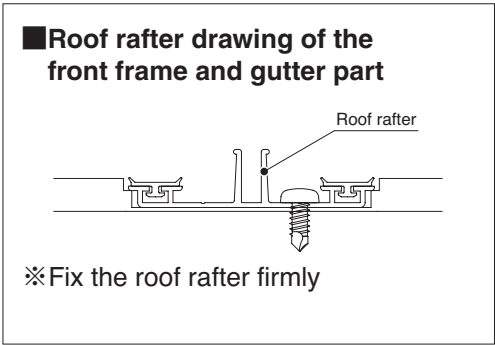
**Step2** Screw to the gutter.

● Drilling screw is fixed in the the U-shape part of the front frame (step 1) A part detail.



**Step3** Screw it to the main frame.

● Drilling screw is fixed in the the U-shape part of the front gutter (step2) B part.  
● Drilling screw is fixed in the the U-shape part of the main frame (step3) C part .



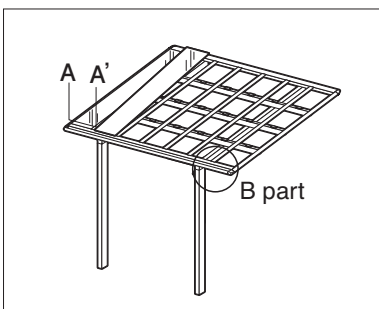
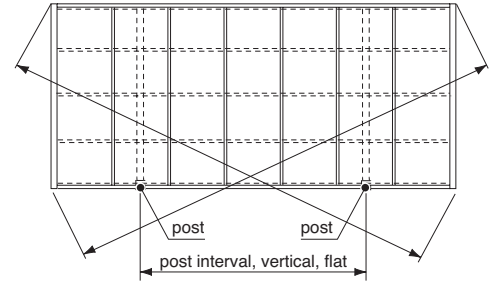
# 10 Installation of roof panels

## Before installing the roof panels

※Check post interval, flat and the diagonal dimension of the roof is equal. (In case of M or Y connection, install the M or Y frame first referring the manual HZ1747-E (M connection) or HZ1748-E (Y connection).)

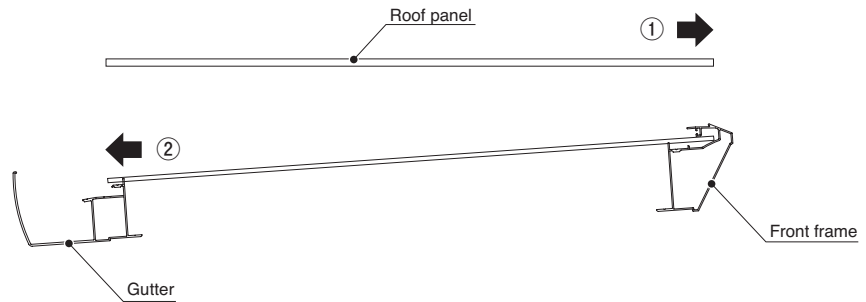
※In case diagonal dimension of the roof is not equal, loosen the screws of the front frame, gutter, main frame and beam and adjust them.

Polycarbonate sheet has impact resistance approx. 250 times higher than glass. It can even withstand being hit with a hammer. The polycarbonate roof can protect you from harsh weather conditions such as hail. In addition, since it does not harden, it is suitable for use in cold climates. The Heat Protection Bluesmoke Polycarbonate sheeting reduces the heat by 83%.



Insert the roof panel into the front frame and then set on the gutter side.

Always push sheet as far as it can go into the front fascia. Always start at fascia end

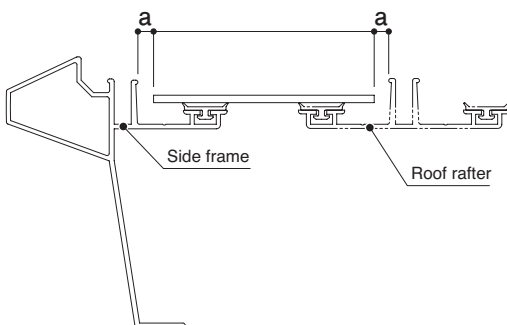


### Notice

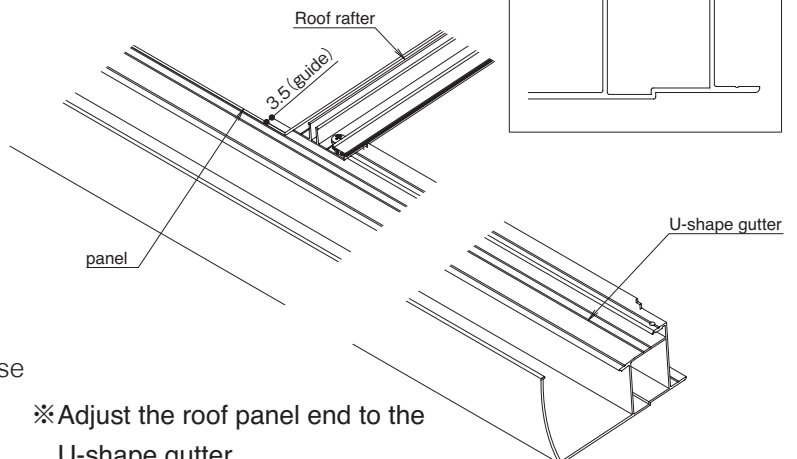
In case of polycarbonate (SI) and FRP panel, attach the unevenness side down. In case of polycarbonate (AO/BR) and heat protection polycarbonate, both sides are the same and weatherproof.

※When installing roof panels, please see note below.

#### ■A-A' section drawing



#### ■B part detailed drawing

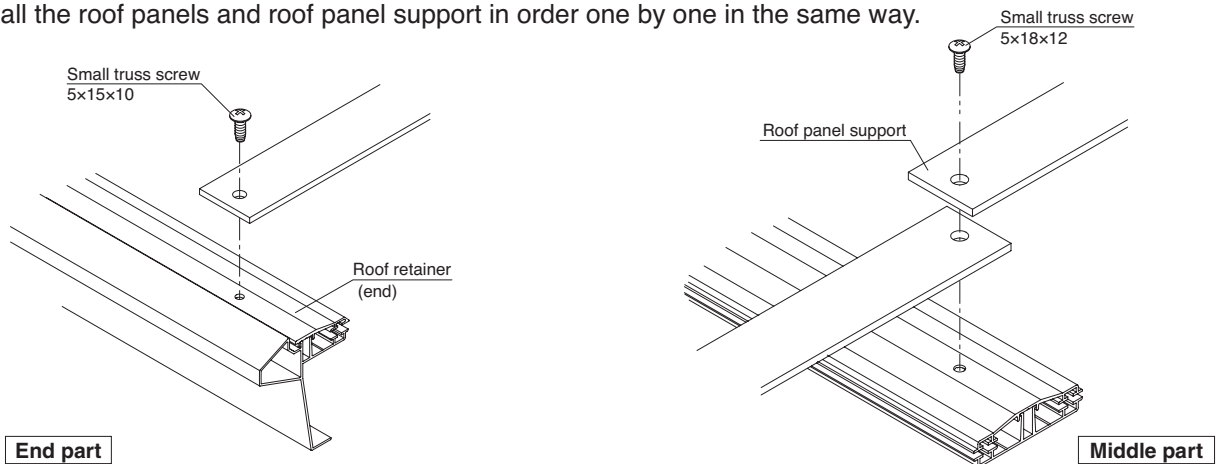


※Sort the panel equally right and left. Otherwise the expansion of panels resulting from temperature changes may causes cracking sounds.

※Adjust the roof panel end to the U-shape gutter.

## ■ Installation of roof panels for D33

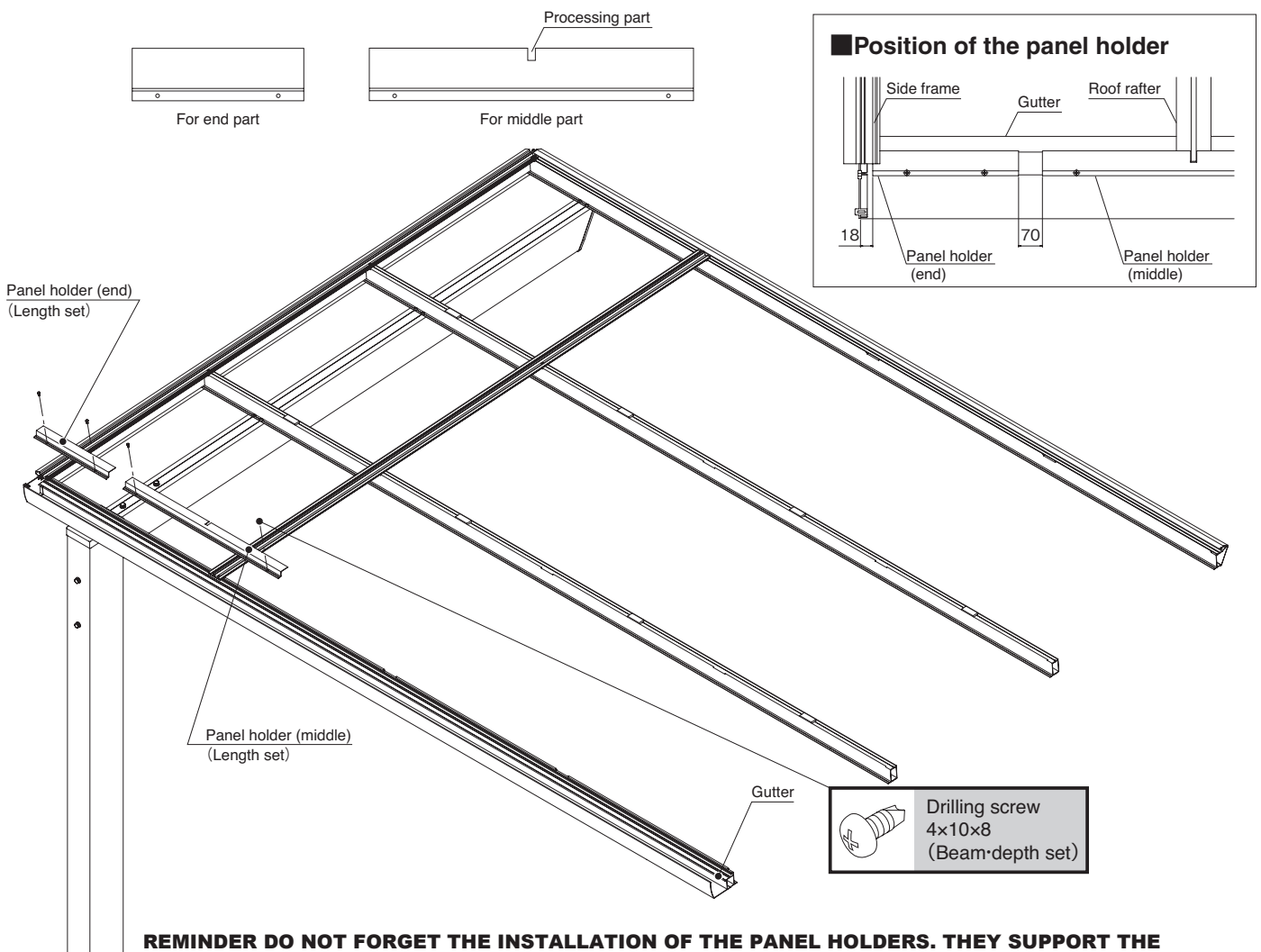
- ① Install 2 sheets of roof panel from the end of the cantaport.
- ② After installing the roof retainer (end) and the next roof retainer (middle), install the roof panel support at the position of 4th screw from the roof retainer from the gutter side.
- ③ Install the roof panels and roof panel support in order one by one in the same way.



※ When installing the roof panel support on roof retainer (end), use the small truss screw 5x15x10 in the roof panel support set instead of small truss screw 5x10x10 in the depth set. Use small truss screw 5x18x12 on the roof retainer (middle) overlapping the roof panel supports.

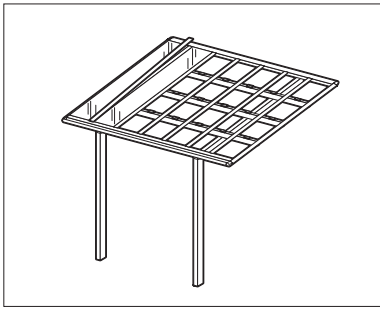
## 11 Installation of panel holder

- Install the panel holders adjusting on the U-shape of the gutter frame as a guide, and fix with drilling screw 4x10x8.
- ※ Insert the cutout part of panel holder over the roof rafter (middle section) and install it.

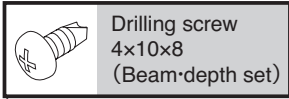




# 12 Installation of roof retainer

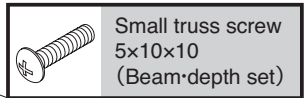
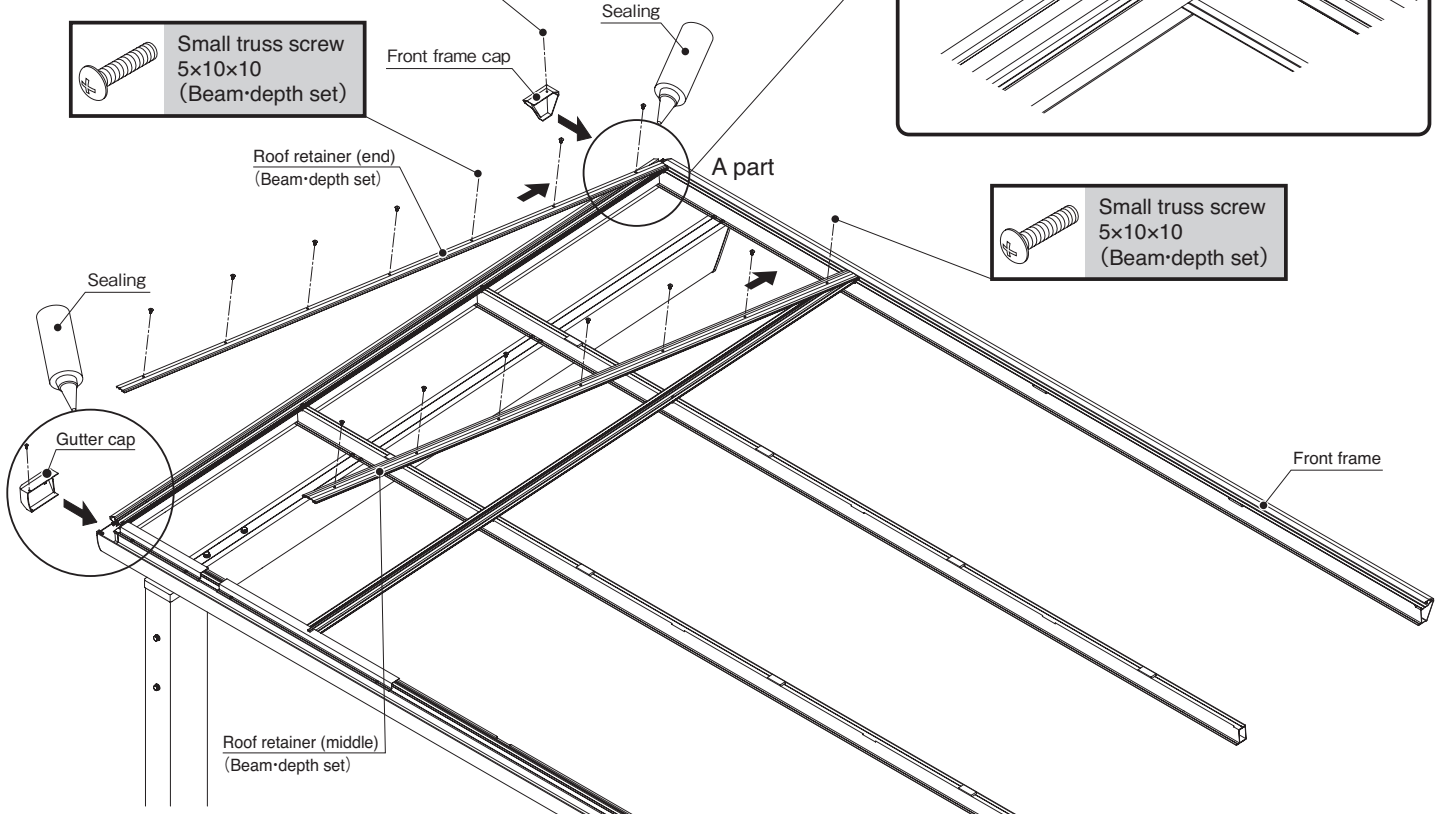
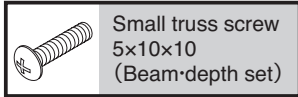
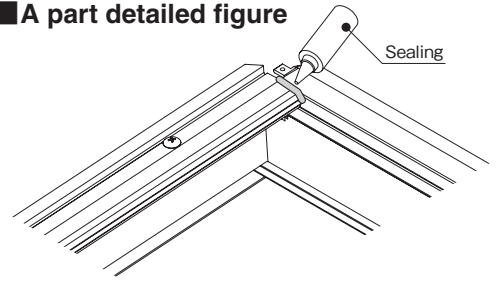


**Step3** Attach the front frame cap and the gutter cap with the truss screw 4x10x8.



**Step2** Apply sealant to the insert part of roof retainer (end) into front frame.

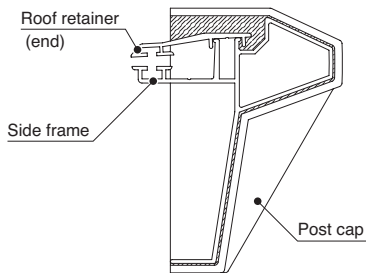
**A part detailed figure**



**Step4** Sealant to the clearance between gutter cap and side frame / roof retainer (end).

**Detailed figure of the sealing part**

▨ indicates the sealant part.

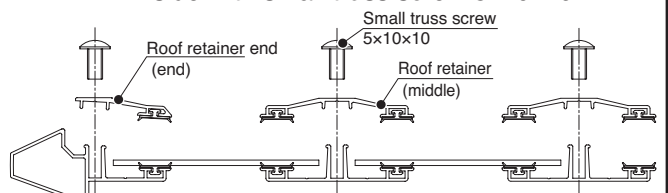


● Be careful not to tighten too much the screw of cap.

**Notice**

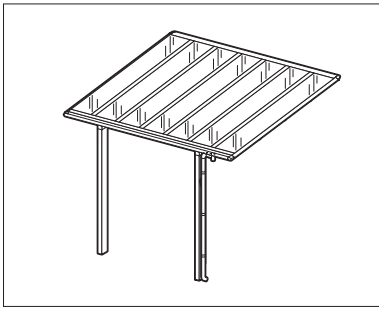
- If the screw installing into the roof retainer is tighten too much, the screw will run idle. Tightening torque is about less than 1.5Nm (15kgfcm).
- If the screw head leans when installing the roof retainer, it will cause water leakage (water will enter from the screw head clearance), so install the screw straight.

**Step1** Insert the end of roof retainer into the front frame, and fix from the front frame side with small truss screw 5x10x10.



※ When fixing the roof retainer (end), insert the end part of roof retainer into the gutter cap before fixing the second screw from the post side.

# 13 Attaching the round gutter parts



- The length of round downpipe differs depending on the post position. Cut length on-site to suit.

■ The round gutter length  $l_1$  as a guide at the standard post position.

W22 type:  $l_1=238$

W29 type:  $l_1=130$

W43 type:  $l_1=196$

W43 type (3 post):  $l_1=196$

W51 type:  $l_1=404$

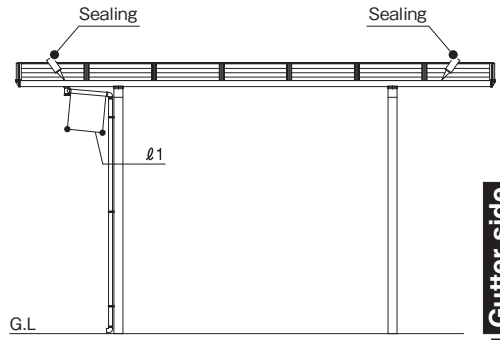
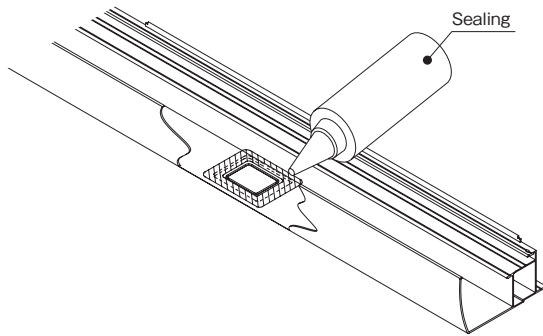
W51 type (3 post):  $l_1=78$

W58 type:  $l_1=562$

W58 type (3 post):  $l_1=211$

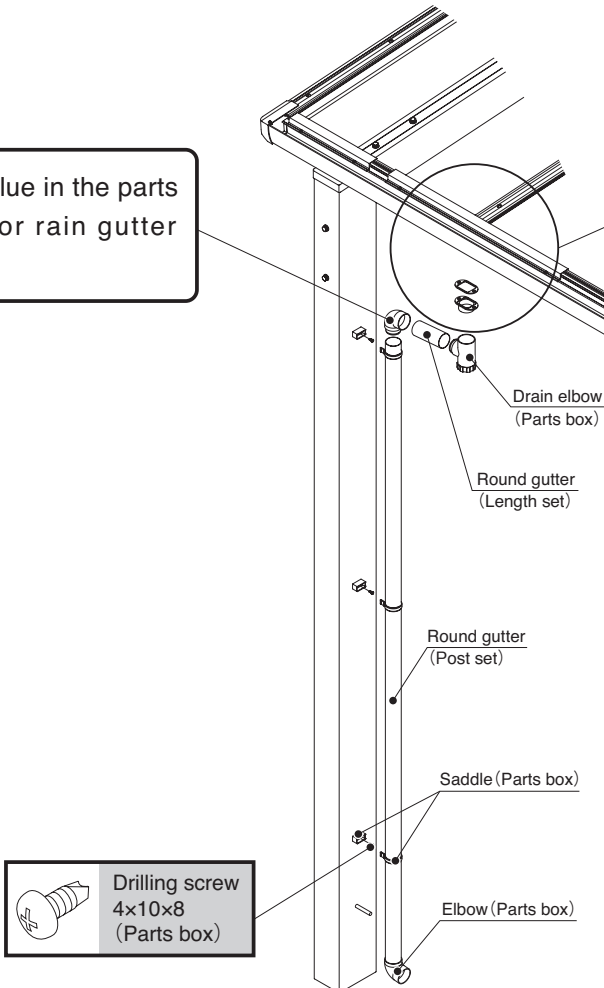
## Blinder side

- Sealant required around non drain part on the opposite side.



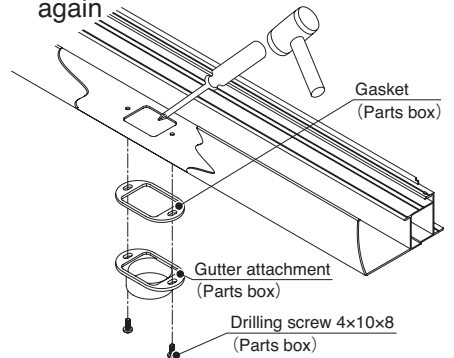
## Gutter side

- ③ Use glue in the parts box for rain gutter parts.

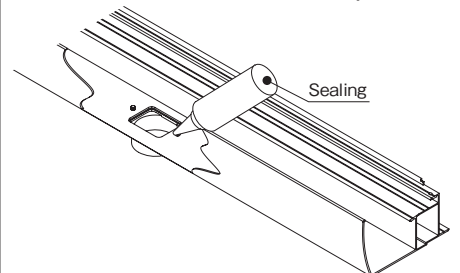


- ① Pop out the cap to the chosen side of the down pipe in the gutter. Apply gasket to exposed outlet.

※ In case that it could not dislodge, use electric drill and hit the part again



- ② Screw the gutter attachment and sealant work at the screw part.

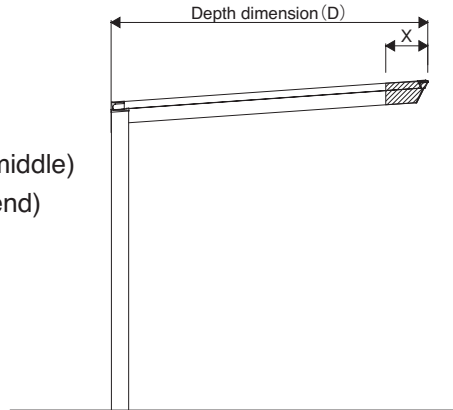


※ Be sure to seal around screws in order to prevent danger when cleaning as well as for water proof.

# 14 Cutting procedure of depth direction

- In case of cutting depth, be sure to cut from the front frame side.  
Subject to the cutting length of the roof, cut and process each part and roof panels. Please be careful of the direction of each part.

1. Cutting the beams
2. Cutting the side frame
3. Cutting the roof rafters
4. Cutting the roof retainers (middle)
5. Cutting the roof retainers (end)
6. Cutting the roof panels



Cut range

X=less than 300mm

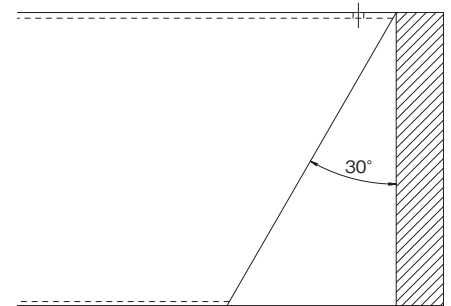
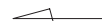
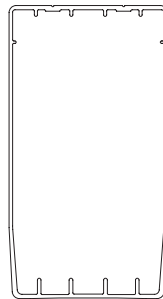
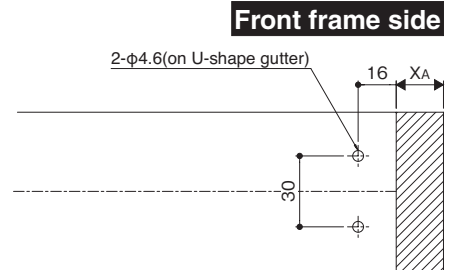
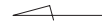
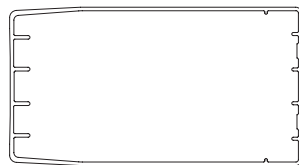
The cutting length of each materials are

$$X_A=X$$

## 1. Beam processing

- When the roof cutting dimension is 100mm, the cutting length of material X<sub>A</sub> is

Roof cutting dimension 100mm		
Type	Depth	Cutting length (mm)
F	18	X <sub>A</sub> =100
	21	
	24	
	27	
	30	
	33	

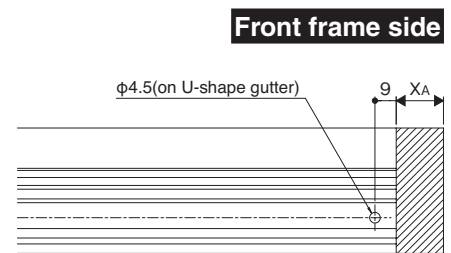
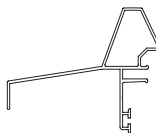


※The roof dimensions determines the length of the beam

## 2. Side frame processing

- When the roof cutting dimension is 100mm, the cutting length of material X<sub>A</sub> is

Roof cutting dimension 100mm		
Type	Depth	Cutting length (mm)
F	18	X <sub>A</sub> =100
	21	
	24	
	27	
	30	
	33	

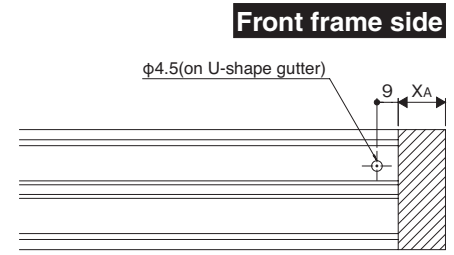


※The roof dimensions determines the length of the frame

### 3. Roof rafter processing

- When the roof cutting dimension is 100mm, the cutting length of material X<sub>A</sub> is

Roof cutting dimension 100mm		
Type	Depth	Cutting length (mm)
F	18	X <sub>A</sub> =100
	21	
	24	
	27	
	30	
	33	

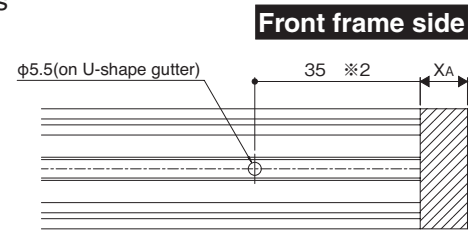


※The roof dimensions determines the length of the frame

### 4. Roof retainer (middle) processing

- When the roof cutting dimension is 100mm, the cutting length of material X<sub>A</sub> is

Roof cutting dimension 100mm		
Type	Depth	Cutting length (mm)
F	18	X <sub>A</sub> =100
	21	
	24	
	27	
	30	
	33	



※3 The roof dimensions determines the length of the retainer middle

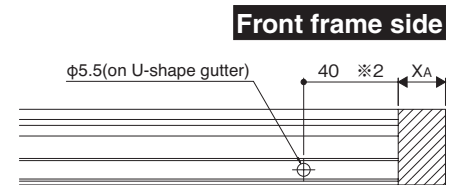
※4 In case the dimension of pre-hole from end is more than 80mm, drill a new hole.

In case the dimension of pre-hole from end is less than 80mm, a new hole is not required.

### 5. Roof retainer (end) processing

- When the roof cutting dimension is 100mm, the cutting length of material X<sub>A</sub> is

Roof cutting dimension 100mm		
Type	Depth	Cutting length (mm)
F	18	X <sub>A</sub> =100
	21	
	24	
	27	
	30	
	33	



※3 The roof dimensions determines the length of the retainer middle

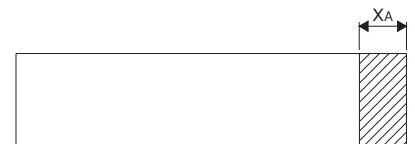
※4 In case the dimension of pre-hole from end is more than 80mm, drill a new hole.

In case the dimension of pre-hole from end is less than 80mm, a new hole is not required.

### 6. Roof panel cutting

- When the roof cutting dimension is 100mm, the cutting length of material X<sub>A</sub> is

Roof cutting dimension 100mm		
Type	Depth	Cutting length (mm)
F	18	X <sub>A</sub> =100
	21	
	24	
	27	
	30	
	33	

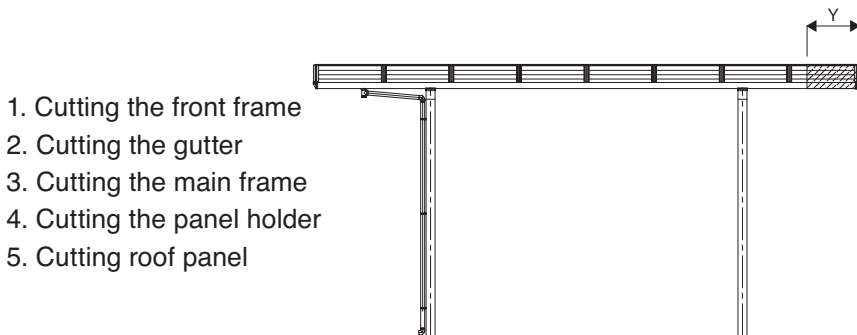


※The roof dimensions determines the length of the frame

After processing, install the frame of the roof referring to the procedure of this manual 1~13.

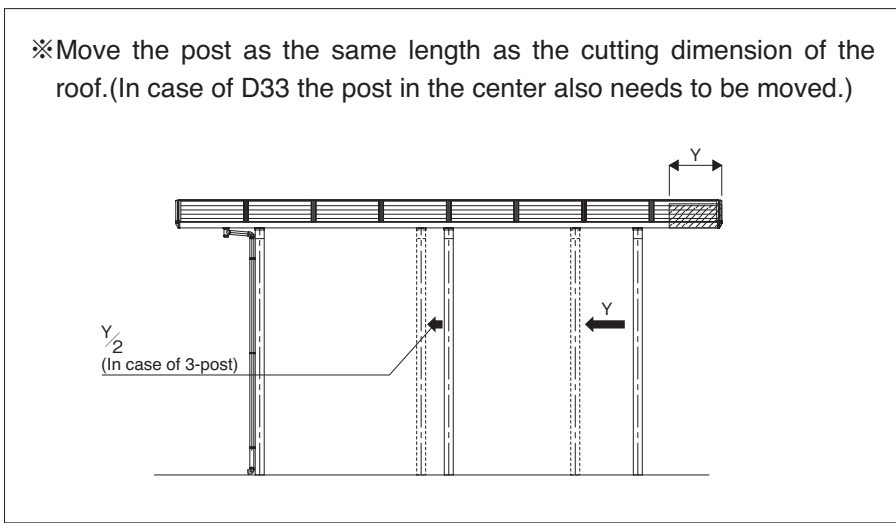
# 15 Cutting procedures of length direction

- The panel span is 715mm. In the case of cutting the length direction, the cutting dimension of the roof Y is recommended to be in the multiples of 715mm wide. Cut the materials from opposite side of round gutter installation.



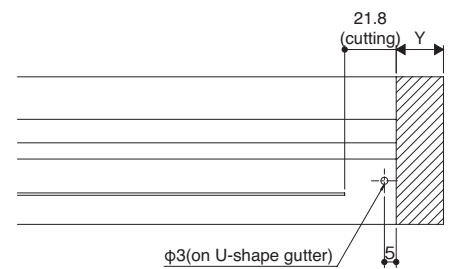
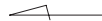
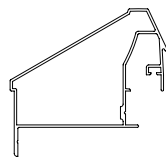
**Cut range**

Y=less than 1430mm (less than 2 panel pitch)  
 ※It can't be cut from 465mm to 535mm for installing drain hole.  
 From 651 to 714mm and from 1366 to 1429mm are not available because the side frame overlaps to the roof rafter.



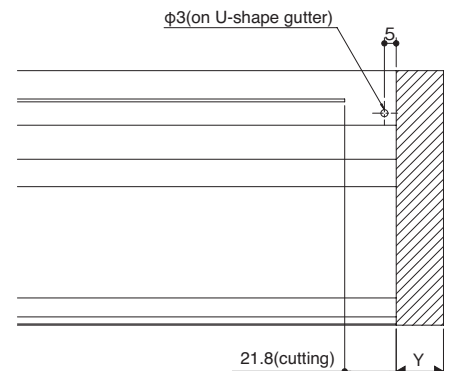
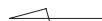
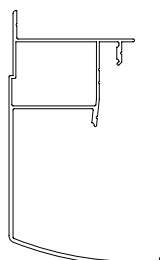
## 1. Front frame processing

- Cut the materials as the same length as the cutting dimension of the roof (Y).



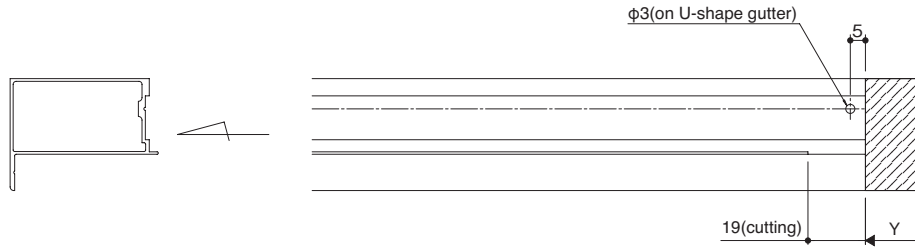
## 2. Gutter processing

- Cut the materials as the same length as the cutting dimension of the roof (Y).



### 3. Main frame processing

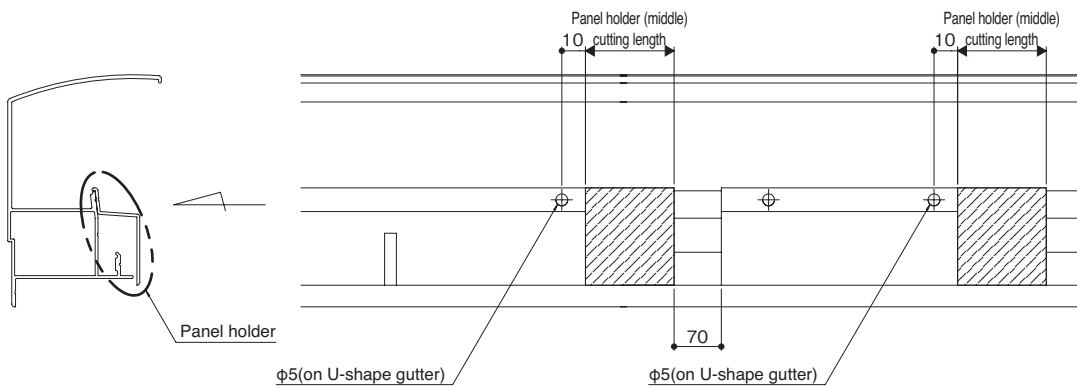
- Cut the materials as the same length as the cutting dimension of the roof (Y).



### 4. Panel holder processing

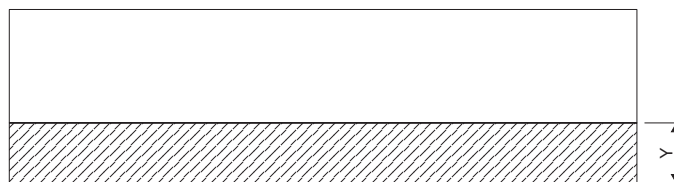
- Cut the panel holder(end) and panel holder (middle) at the cutting length Y referring to the right table. In case that the hole overlaps the pre-hole, the hole processing doesn't need.

Cutting length Y	Panel holder (end) cutting length	Panel holder (middle) cutting length
$0 < Y \leq 200$	Y	No processing
$200 < Y \leq 400$	$Y/2$	$Y/2$
$400 < Y \leq 650$	No installation	$Y-370$
$715 < Y \leq 915$	Y	No processing
$915 < Y \leq 1115$	$Y/2$	$Y/2$
$1115 < Y \leq 1365$	No installation	$Y-370$



### 5. Roof panel cutting

- Cut the materials as the same length as the cutting dimension of the roof (Y).



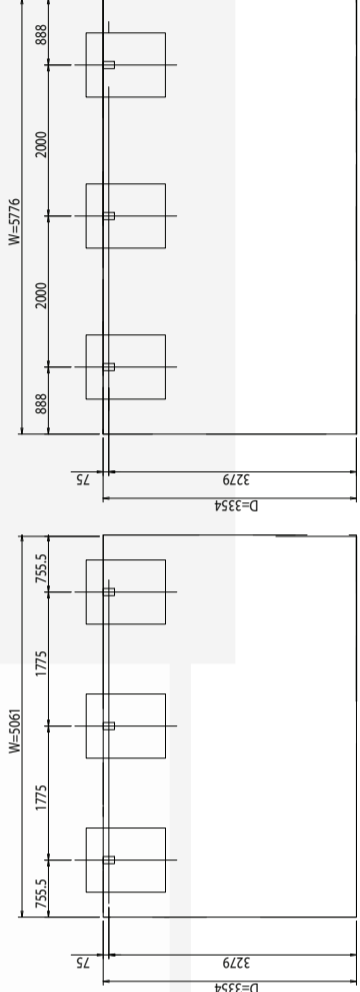
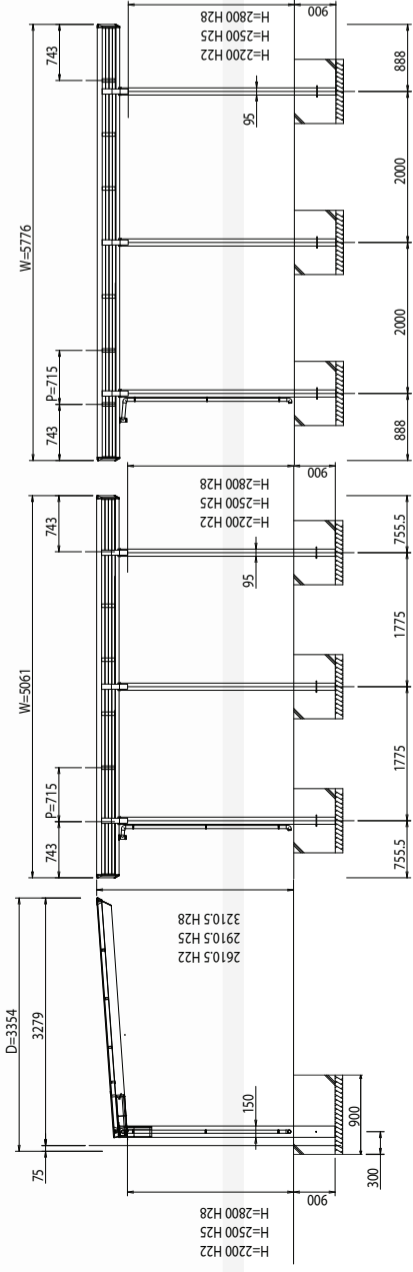
After processing, install the frame of the roof referring to the procedure of this manual **1**~**13**.



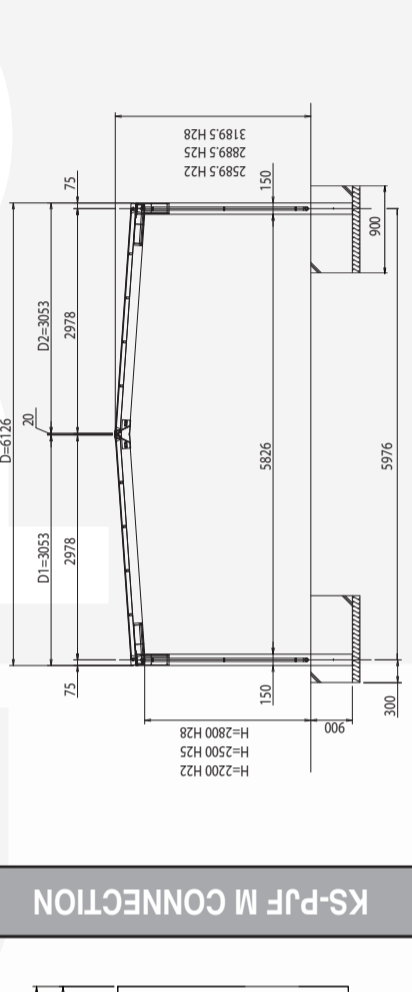
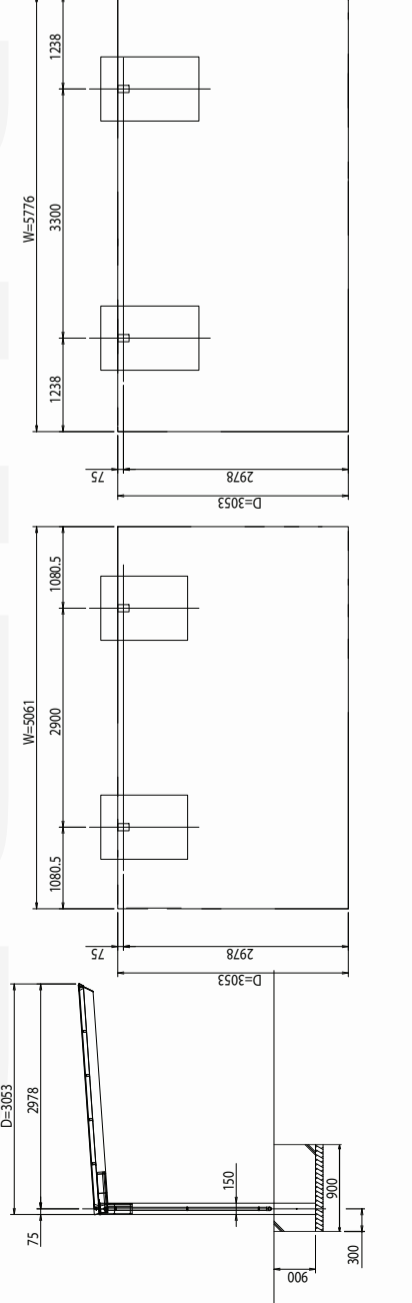
**Cantaport made in Japan certified to AU standards**

NOTE: 3300 WIDE MODELS REQUIRE 3 POSTS & 3 BEAMS

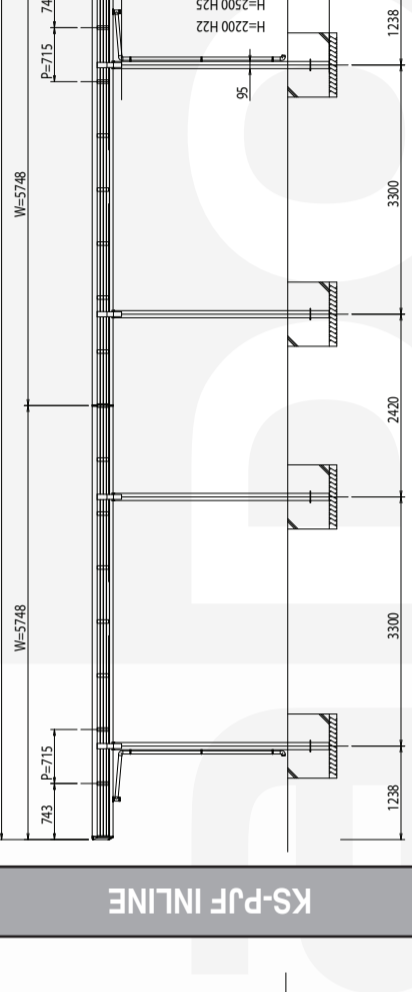
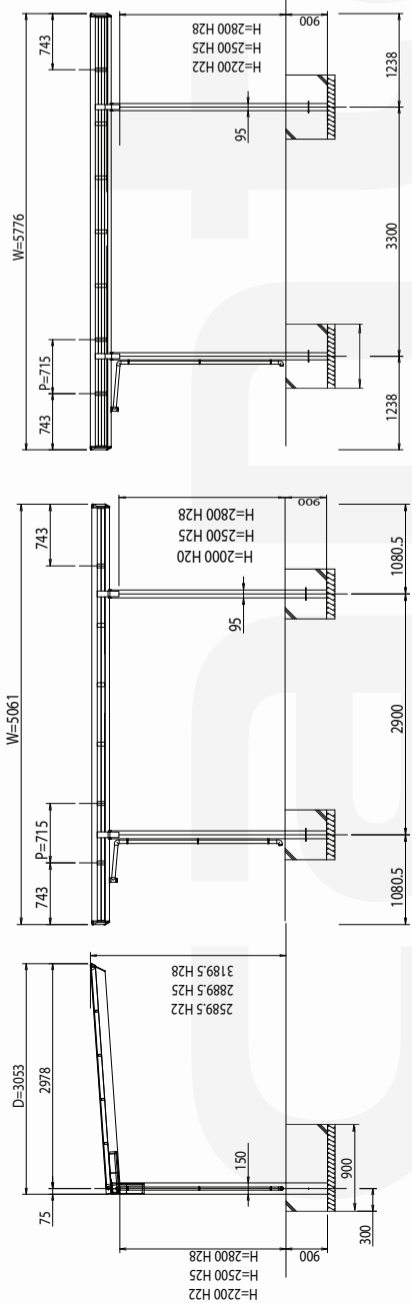
**KS-PJF DEPTH 3300**



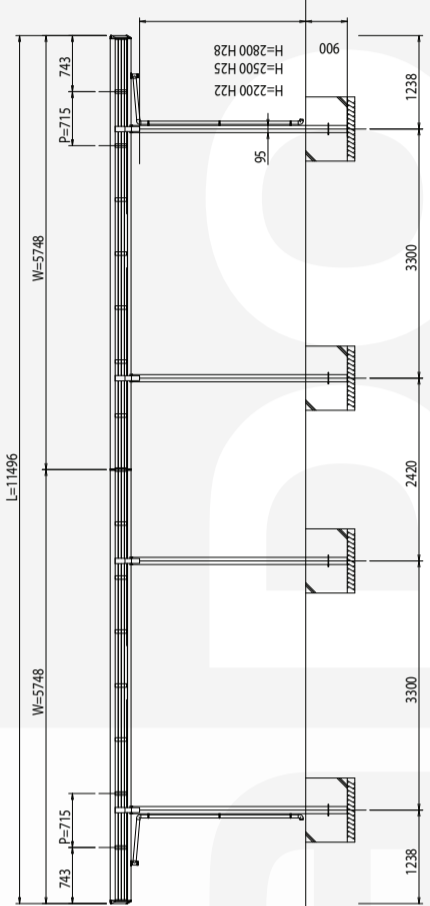
**KS-PJF DEPTH 3000**



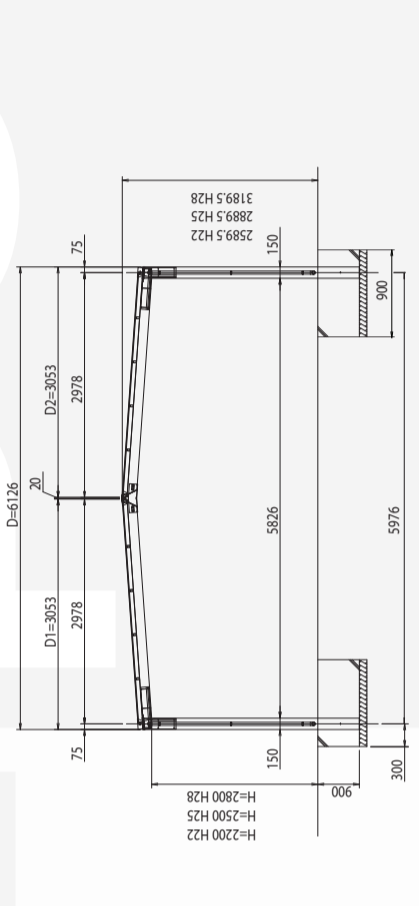
**KS-PJF DEPTH 3000**



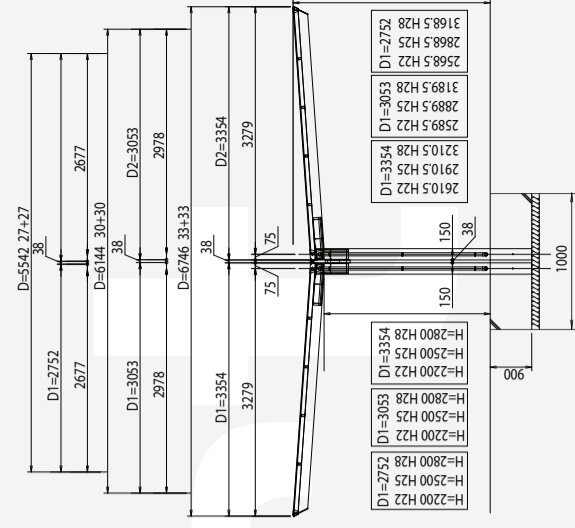
**KS-PJF IN LINE**



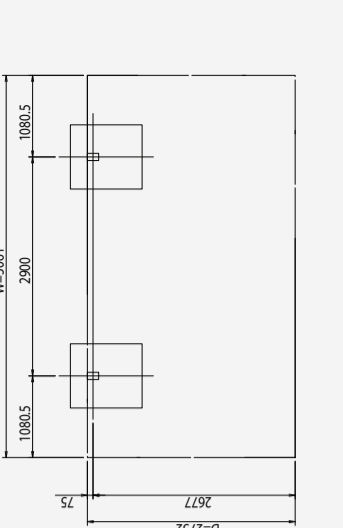
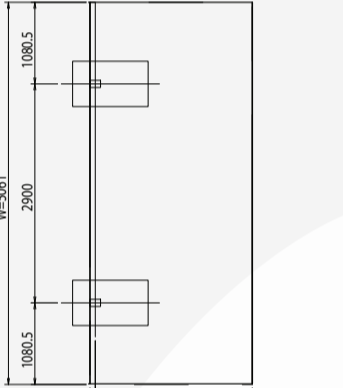
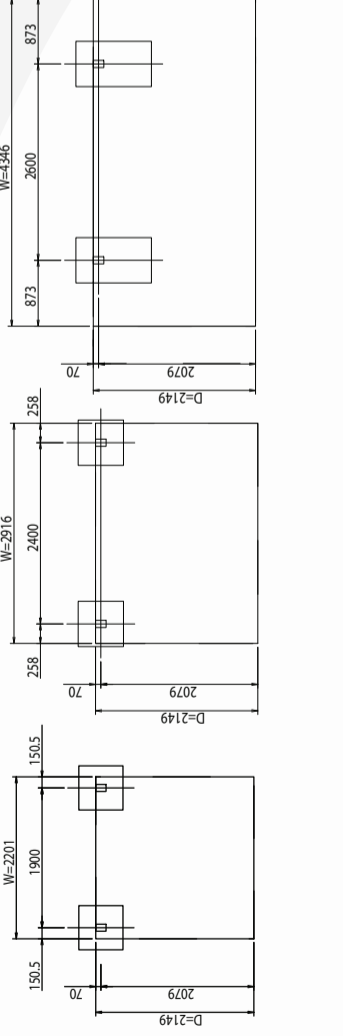
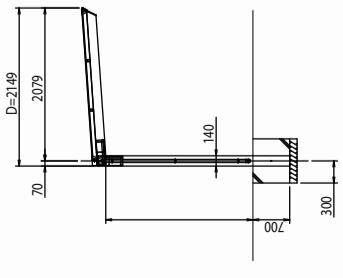
**KS-PJF M CONNECTION**



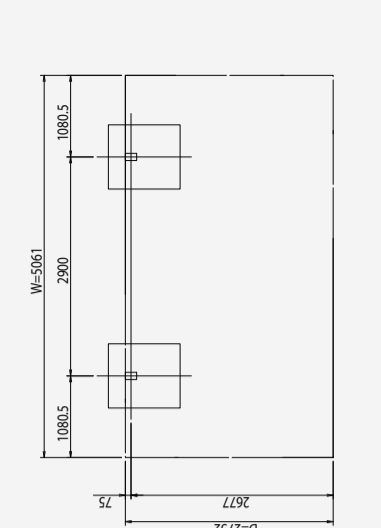
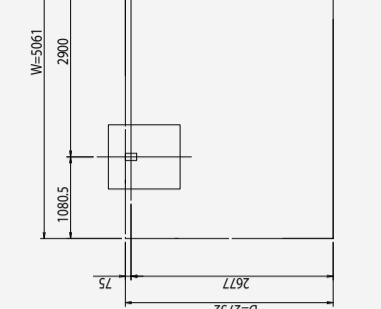
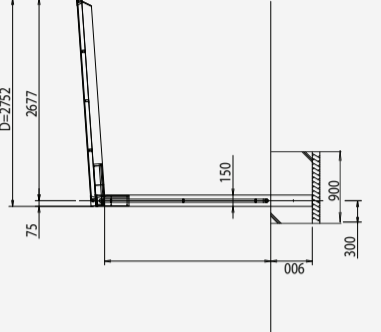
**KS-PJF Y CONNECTION**



**KS-PJF DEPTH 2100**



**KS-PJF DEPTH 2700**



cantaport

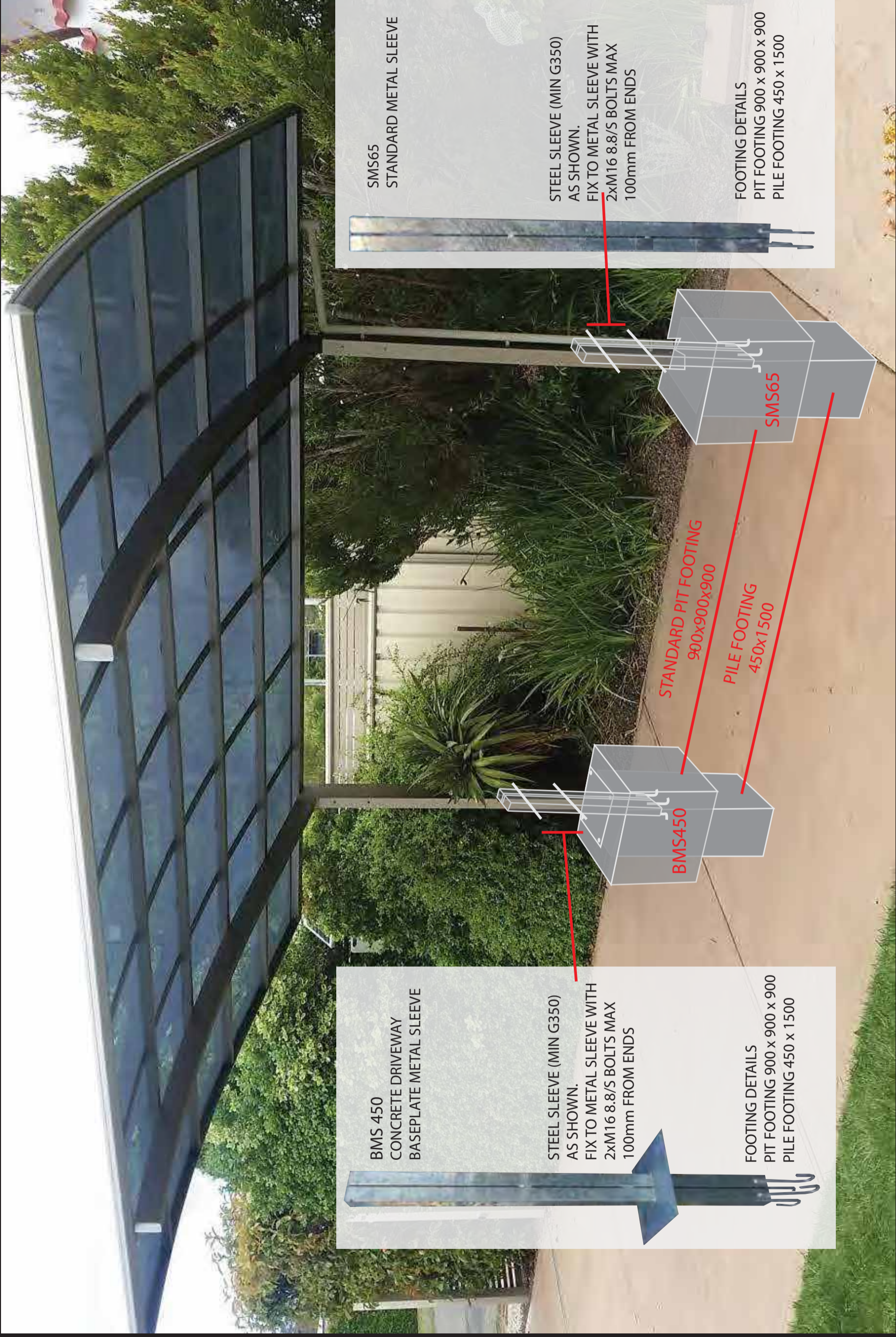
**PJF Series**

**MADE IN JAPAN**

**GUARANTEED & TESTED**

**Genuine & Original**  
BEWARE OF CHEAP IMITATIONS

# METAL SLEEVES DETAILS



**BMS 450**  
CONCRETE DRIVEWAY  
BASEPLATE METAL SLEEVE

STEEL SLEEVE (MIN G350)  
AS SHOWN.  
FIX TO METAL SLEEVE WITH  
2xM16 8.8/S BOLTS MAX  
100mm FROM ENDS

FOOTING DETAILS  
PIT FOOTING 900 x 900 x 900  
PILE FOOTING 450 x 1500

**SMS65**  
STANDARD METAL SLEEVE

STEEL SLEEVE (MIN G350)  
AS SHOWN.  
FIX TO METAL SLEEVE WITH  
2xM16 8.8/S BOLTS MAX  
100mm FROM ENDS

FOOTING DETAILS  
PIT FOOTING 900 x 900 x 900  
PILE FOOTING 450 x 1500

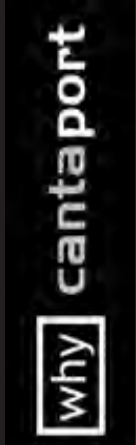
STANDARD PIT FOOTING  
900x900x900

PILE FOOTING  
450x1500

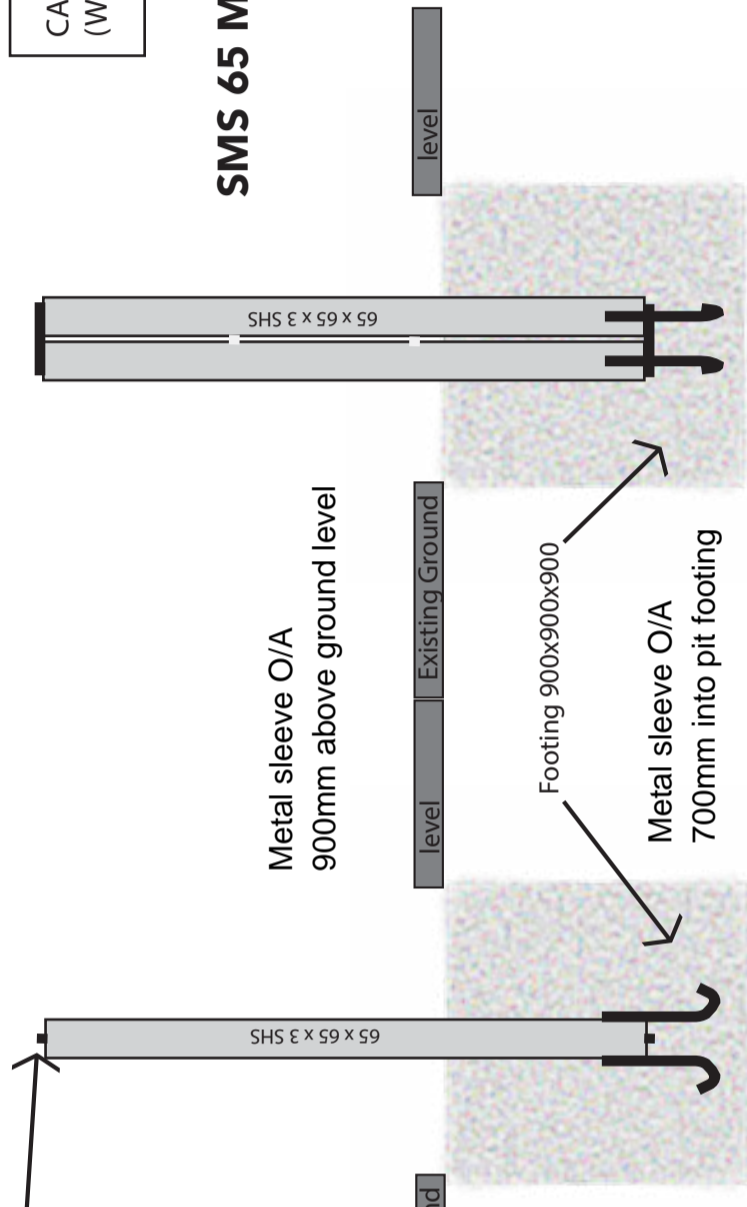
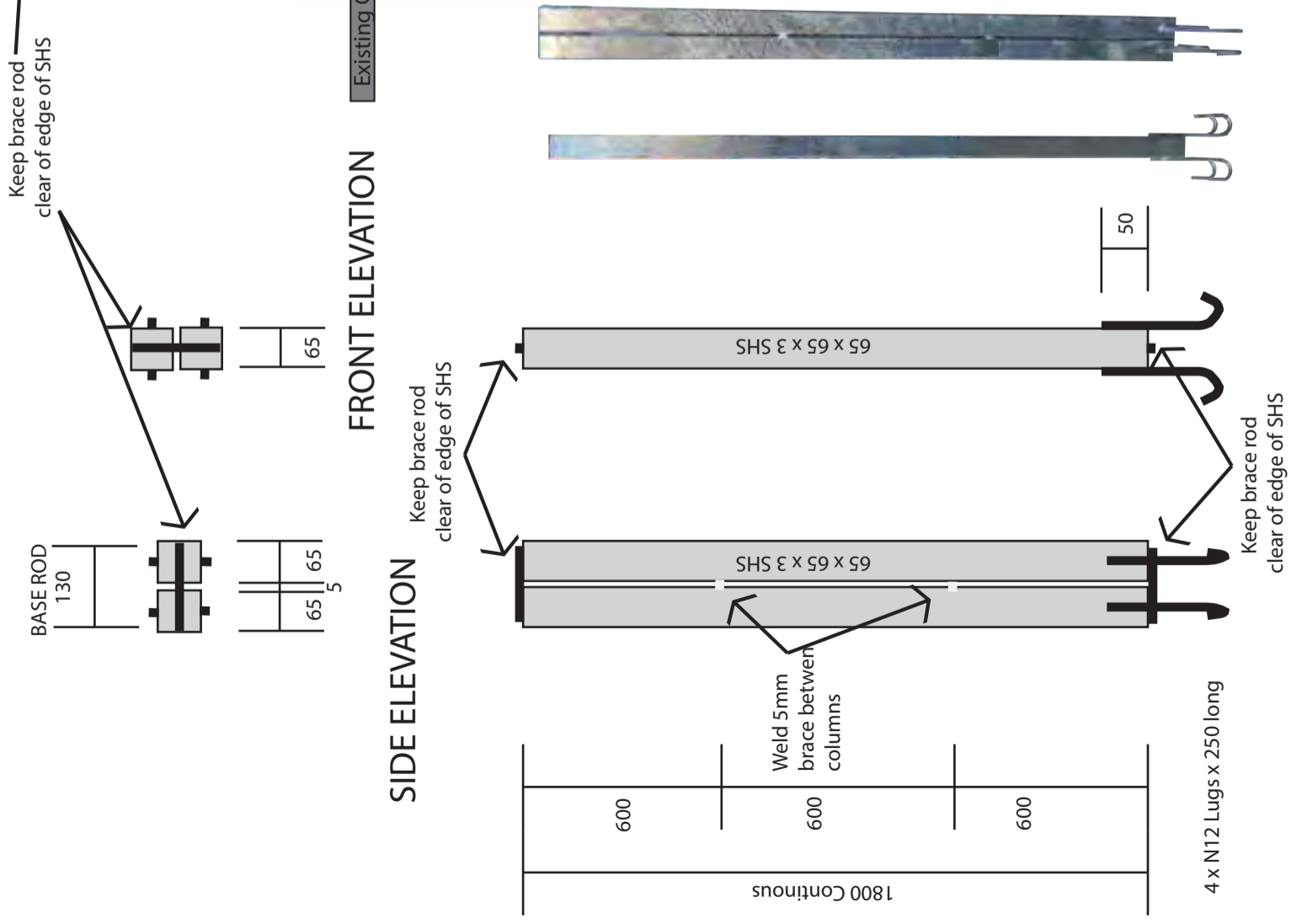
BMS450

SMS65

**METAL SLEEVE ADVANTAGE:** 1. Eliminates error in height. The metal sleeves are inserted into the concrete footing and extend above ground level. The cantaport posts then slide over the metal sleeves. The height of the posts can then be adjusted by cutting from the base of the post. Once the height is determined, the post is fixed using two bolts on the front and or rear of the post. 2. Assists with unlevel sites, extra height extension, 3. Provides further support to the structure and 4. The cantaport can be relocated, removed if required. A non permanent structure.







CANTAPORT SHADING SYSTEMS PJR SERIES  
(Wind Region A, Terrain Category 2,3 & 4)

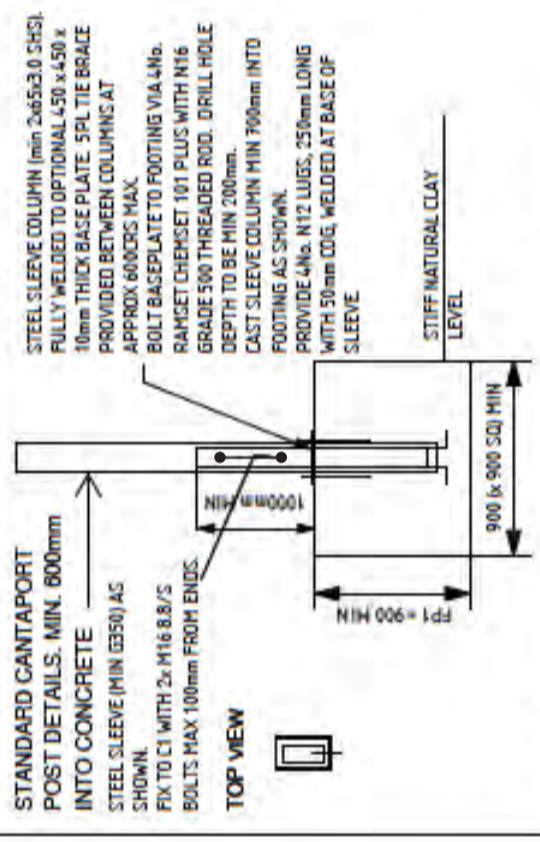
### SMS 65 METAL SLEEVE DETAILS



FRONT ELEVATION

SIDE ELEVATION

### STANDARD FOOTING & SLEEVE COLUMN PLATE COVER DETAILS

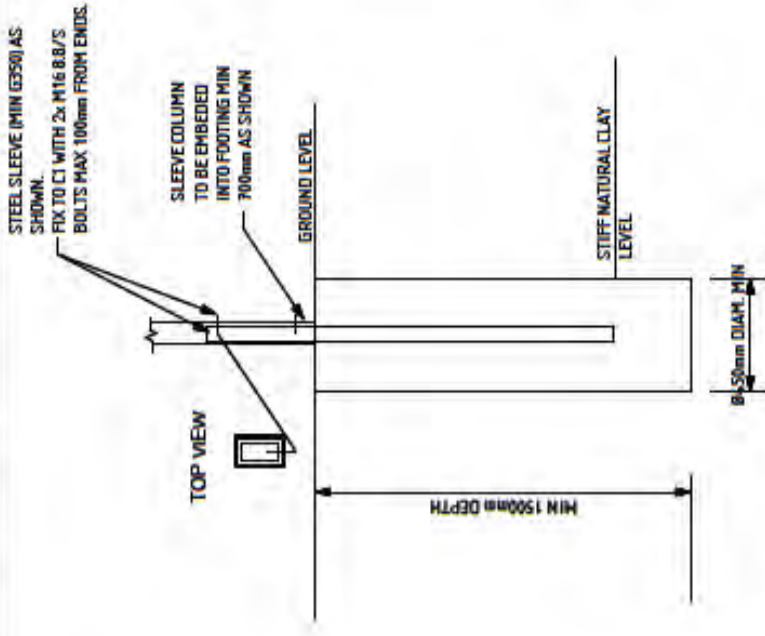


### SLEEVE COLUMN AND STAND ALONE FOOTING

NOTE: CONCRETE FOOTING TO BE FOUNDED INTO MIN 300mm OF NATURAL UNDISTURBED CLAY MATERIAL, TO BE CONFIRMED BY THE BUILDER

METAL SLEEVE PLATE COVER COLUMN CAN ALSO BE USED AS A PILE DETAIL. PILE IS TO COVER OPENING OF EXCAVATION TO AN EXISTING SURFACE

### PILE FOOTING DETAILS



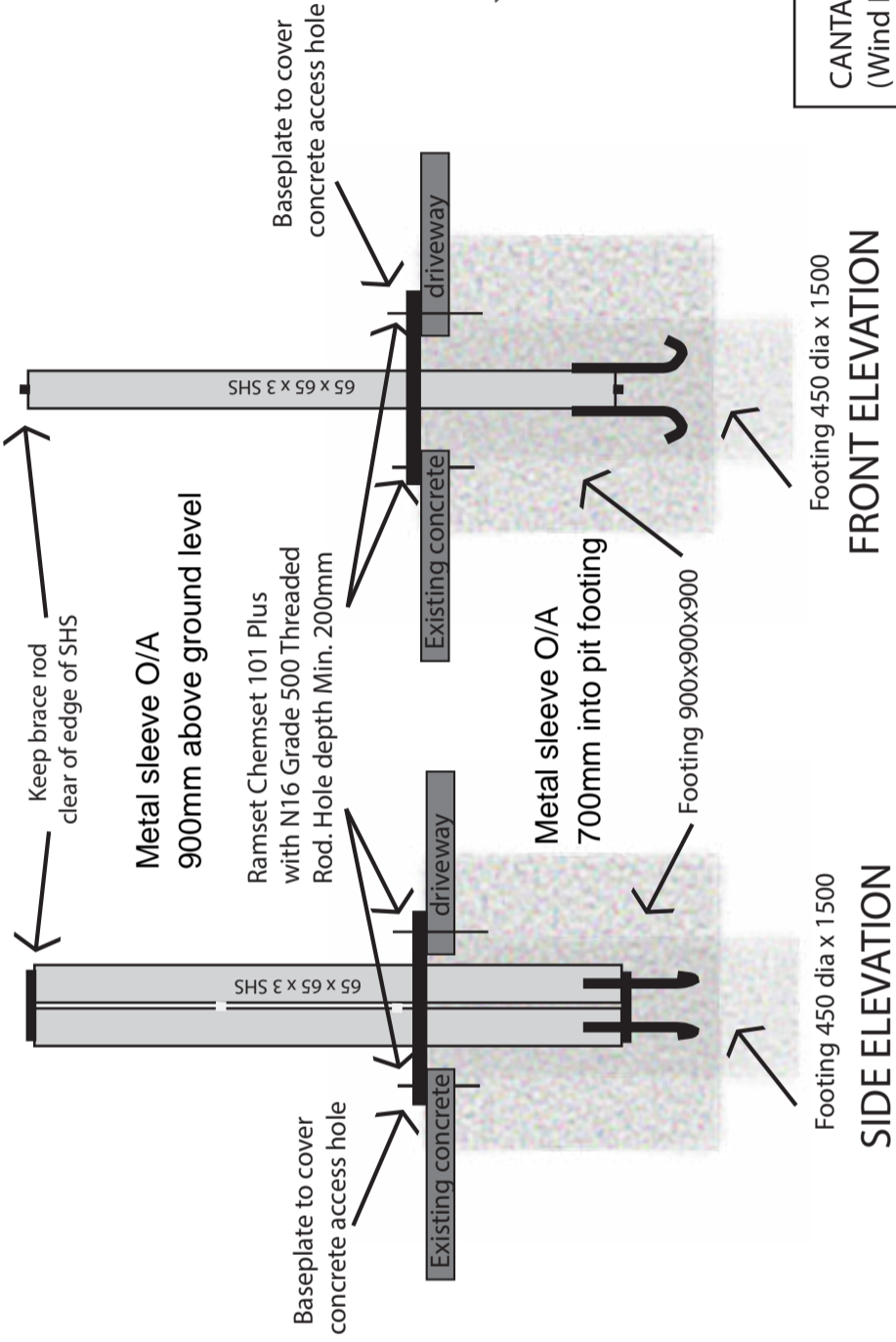
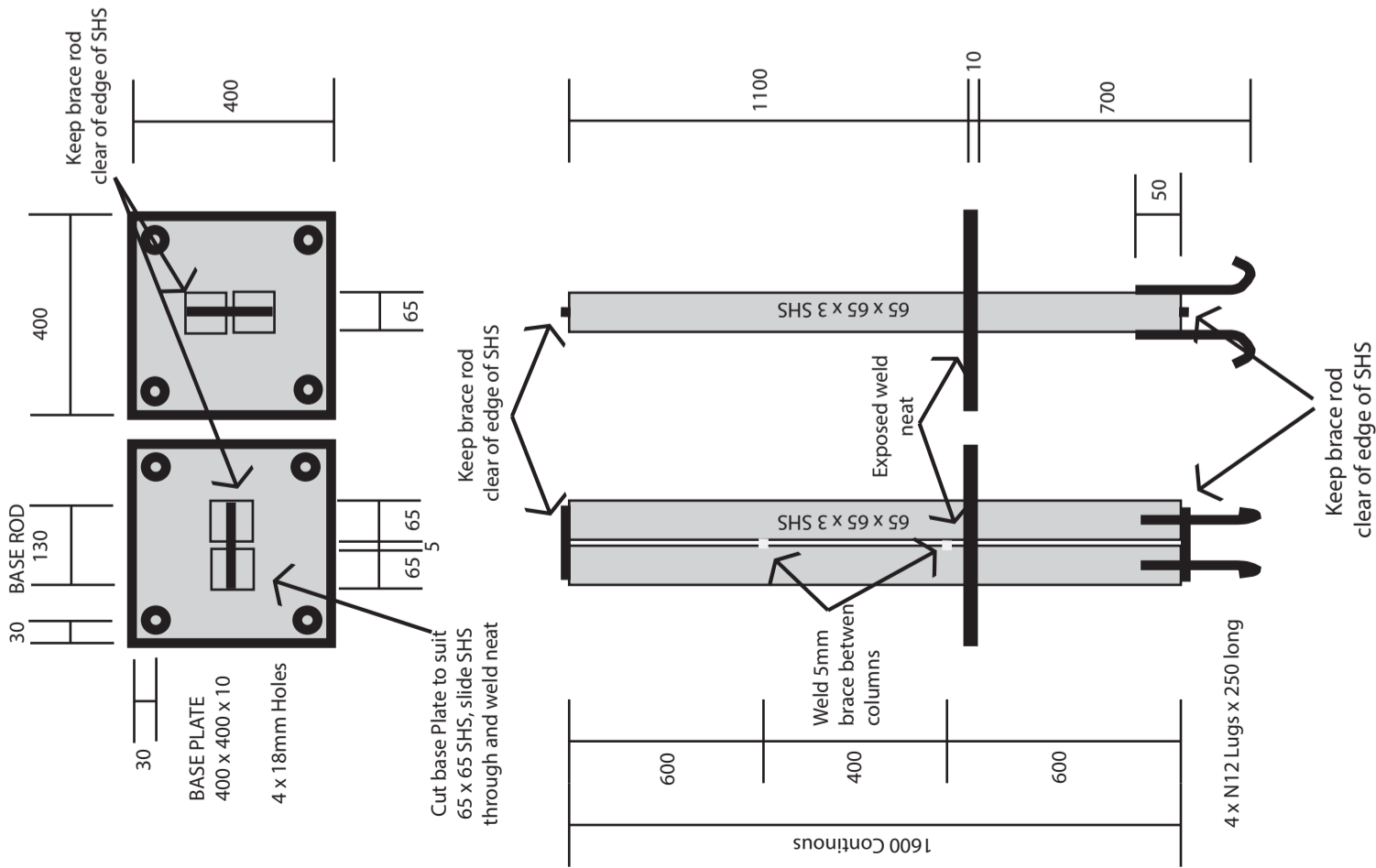
### FOOTING DETAIL

NOTE: CONCRETE FOOTING TO BE FOUNDED INTO MIN 600mm OF NATURAL UNDISTURBED CLAY MATERIAL, TO BE CONFIRMED BY THE BUILDER

ALTERNATIVE FOOTINGS DETAILS WITH LIMITED AREA TO EXCAVATE A STANDARD FOOTING.

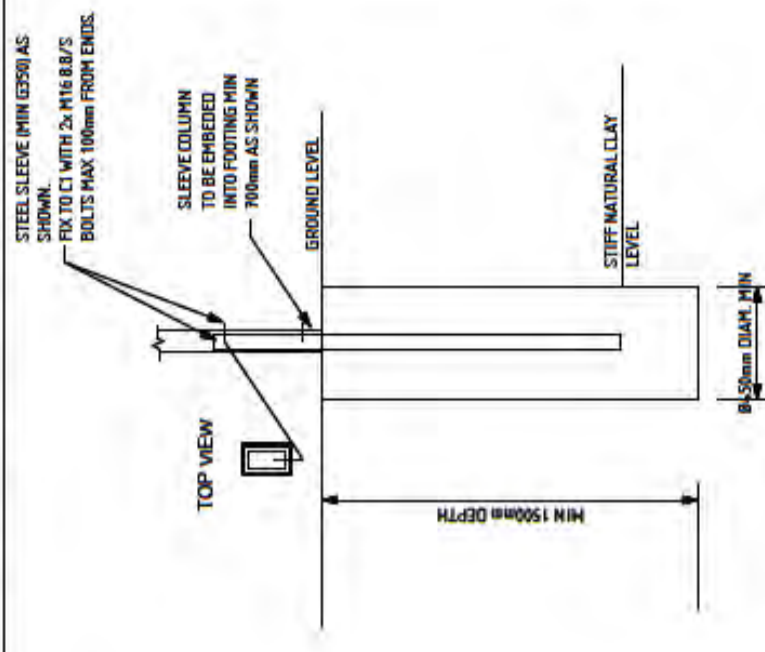
### STANDARD METAL SLEEVE SHOP DRAWINGS METAL SLEEVE 65X65X3 HOT DIP GALVANISED

### BMS 450 METAL SLEEVE DETAILS



CANTAPORT SHADING SYSTEMS PJR SERIES  
(Wind Region A, Terrain Category 2,3 & 4)

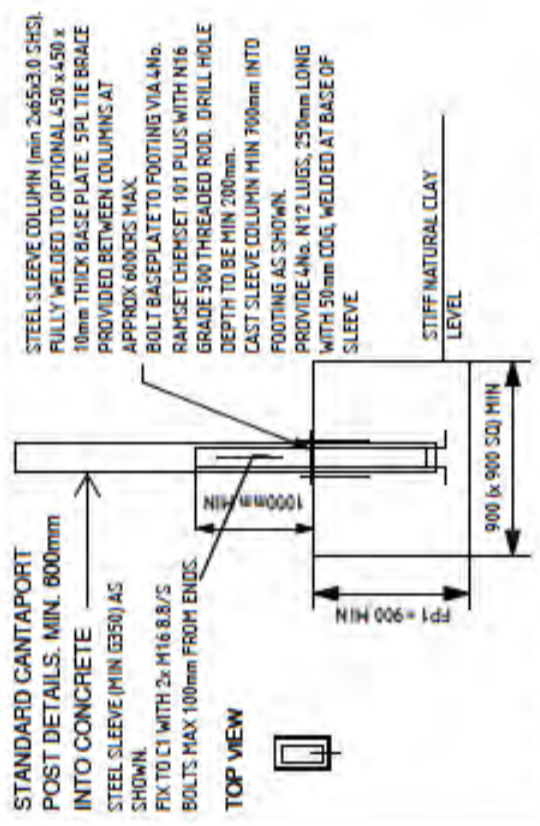
### PILE FOOTING DETAILS



**FOOTING DETAIL**  
NOTE: CONCRETE FOOTING TO BE FOUNDED INTO MIN 600mm OF NATURAL UNDISTURBED CLAY MATERIAL, TO BE CONFIRMED BY THE BUILDER

ALTERNATIVE FOOTINGS DETAILS WITH LIMITED AREA TO EXCAVATE A STANDARD FOOTING.

### STANDARD FOOTING & SLEEVE COLUMN PLATE COVER DETAILS



### SLEEVE COLUMN AND STAND ALONE FOOTING

NOTE: CONCRETE FOOTING TO BE FOUNDED INTO MIN 300mm OF NATURAL UNDISTURBED CLAY MATERIAL, TO BE CONFIRMED BY THE BUILDER

METAL SLEEVE PLATE COVER COLUMN CAN ALSO BE USED AS A PILE DETAIL. PLATE IS TO COVER OPENING OF EXCAVATION TO AN EXISTING SURFACE



CONCRETE DRIVEWAY BASEPLATE SHOP DRAWINGS  
METAL SLEEVE 65X65X3 HOT DIP GALVANISED

## Single cantaport unit either 5130 or 5830

standard long box 1 5200mm x 200mm x 240mm  
standard long box 2 5900mm x 200mm x 240mm

width pallet 3100mm x 800mm x 350mm



## 2 Single cantaport units either 5130 or 5830

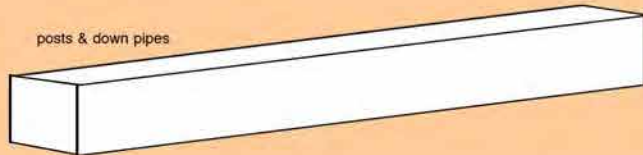
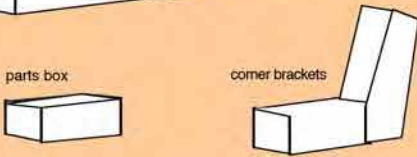
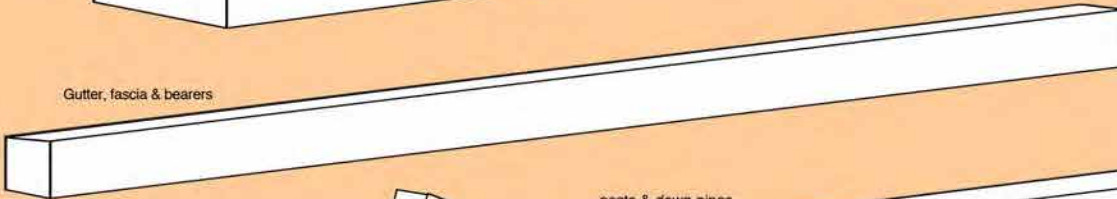
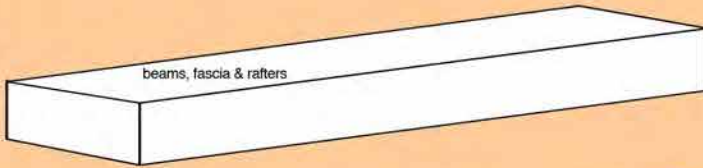
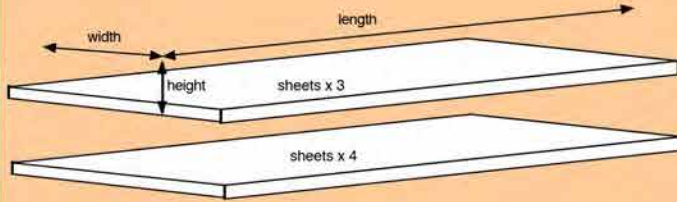
standard long box 1 5200mm x 250mm x 240mm  
standard long box 1 5900mm x 250mm x 240mm

width pallet 3100mm x 800mm x 600mm





flat pack



PART	WIDTH	LENGTH	HEIGHT	kg
Sheets x 3	789	3000	50	20
Sheets x 4	789	3000	52	23
Beams, fascia, rafters	450	3070	250	25
Gutter, fascia, bearers	250	5100	250	15
Parts box	150	350	120	1
Corner brackets	250	450	450	10
posts & down pipes	340	2800	280	15
TOTAL				120

METAL SLEEVES 8kg each sleeve. Sheets are flexible and can be  
All cantaport units are DIY, pre cut & pre drilled and packaged flat pack.

Pallet 2: 18kg - 25kg

Pallet 1: 120kg - 140kg

