

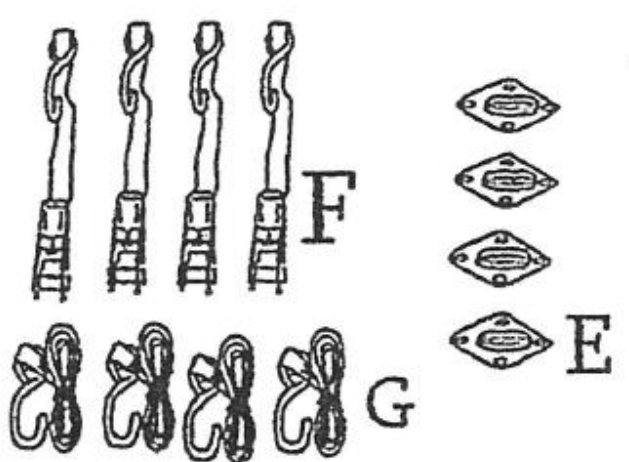
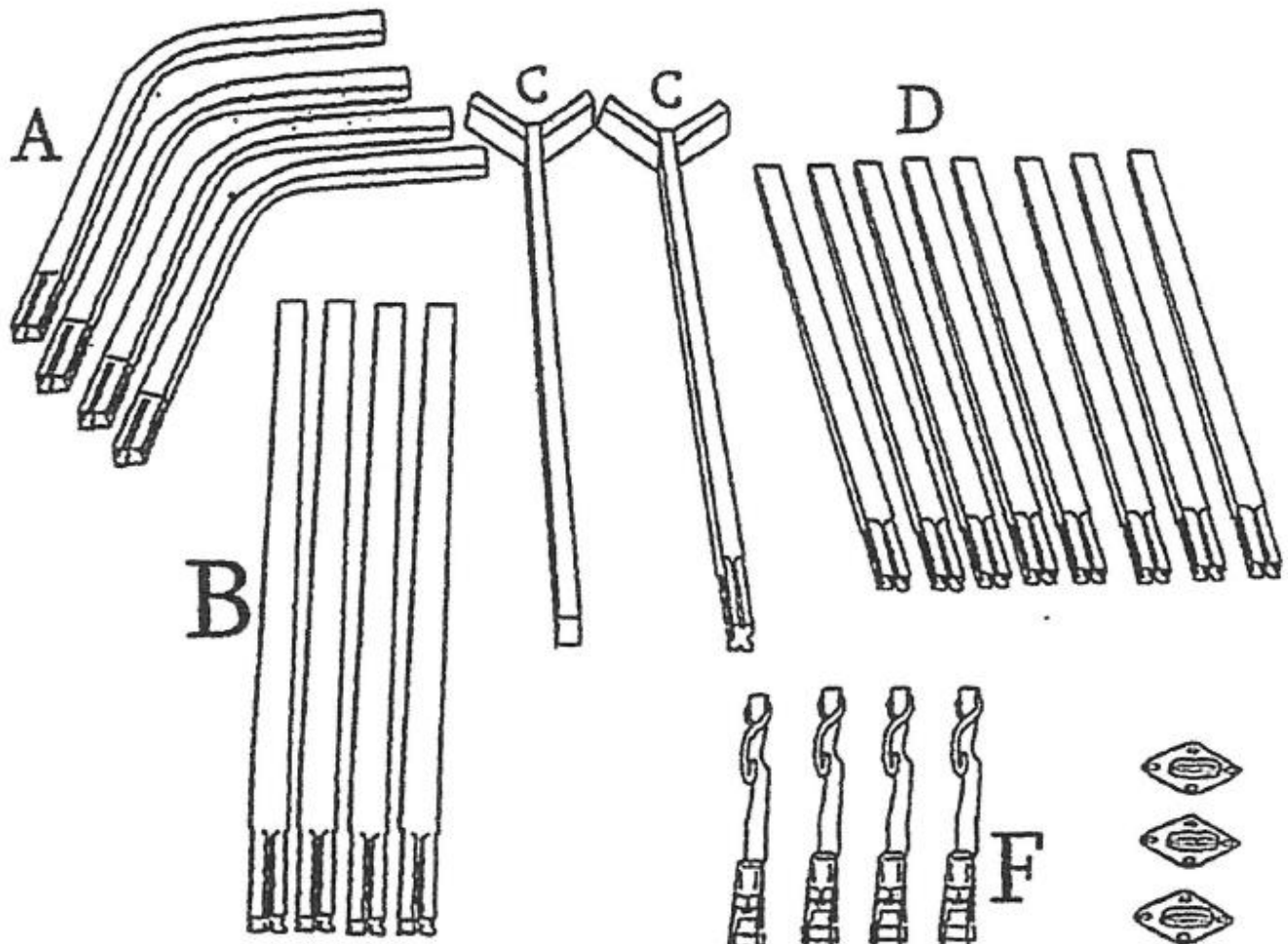
**CAR COVERS  
AND SHELTER**



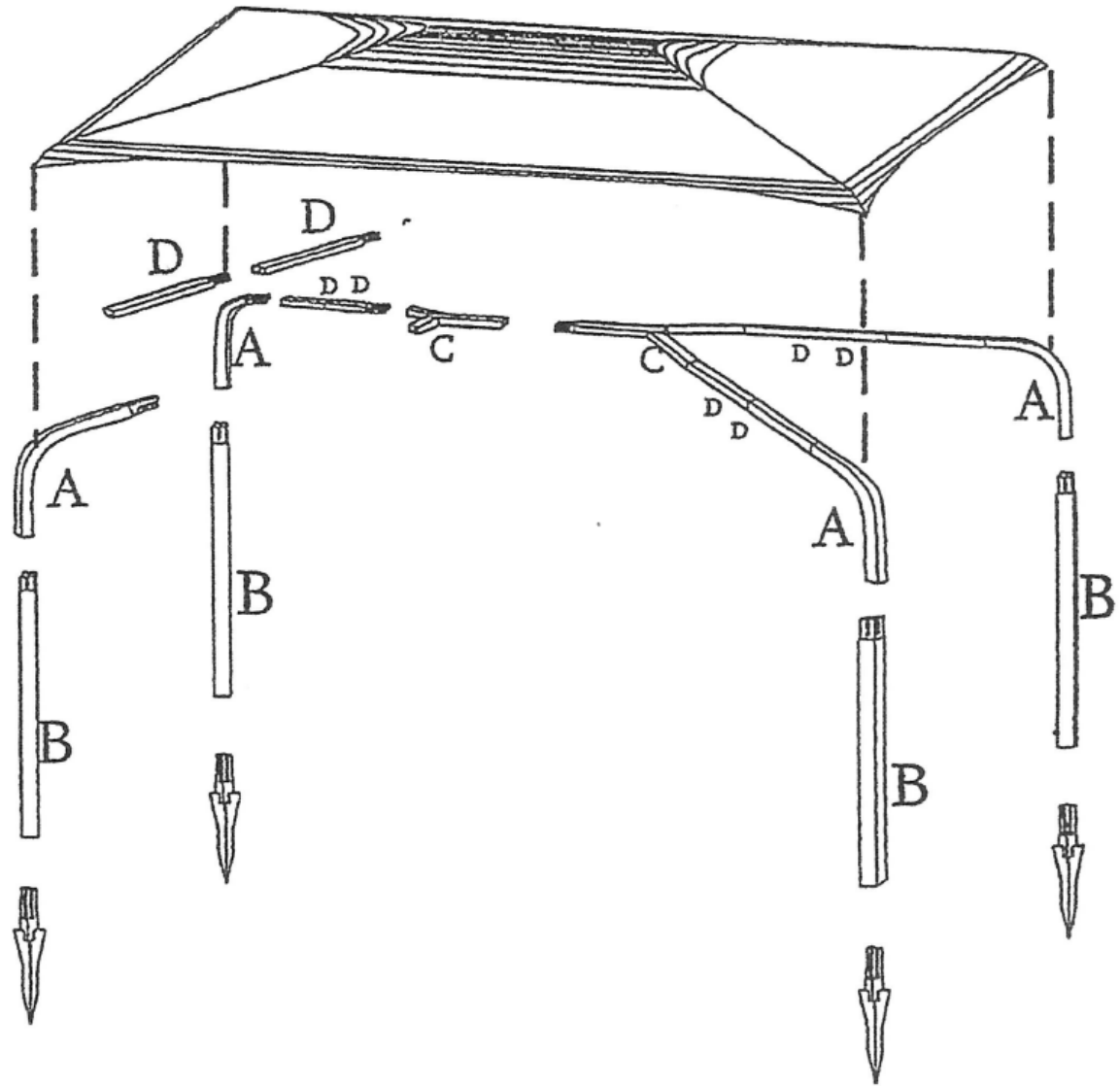
# **Portable Carport Quickshade Assembly Car Covers and Shelter**

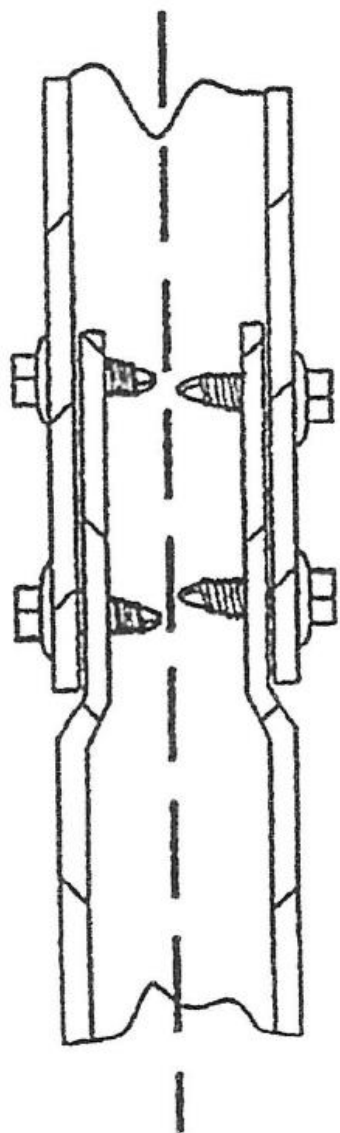


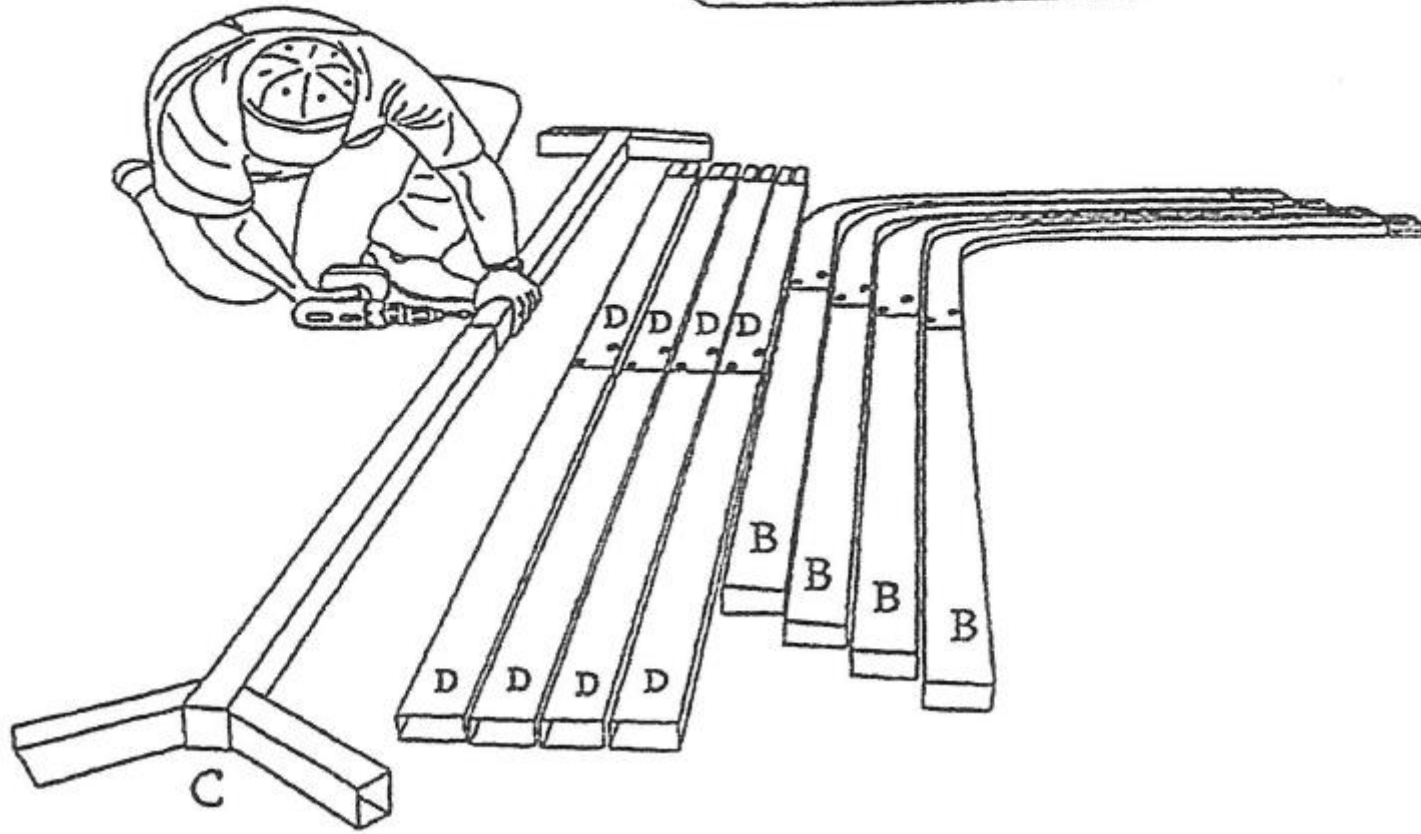
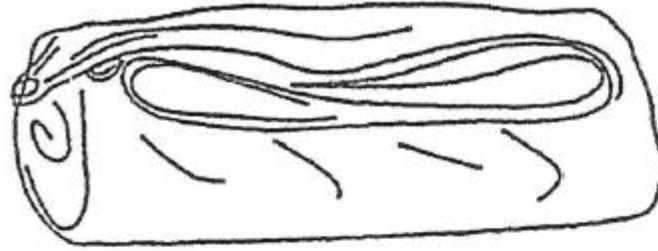
# **DOUBLE QUICKSHADE ASSEMBLY MANUAL**

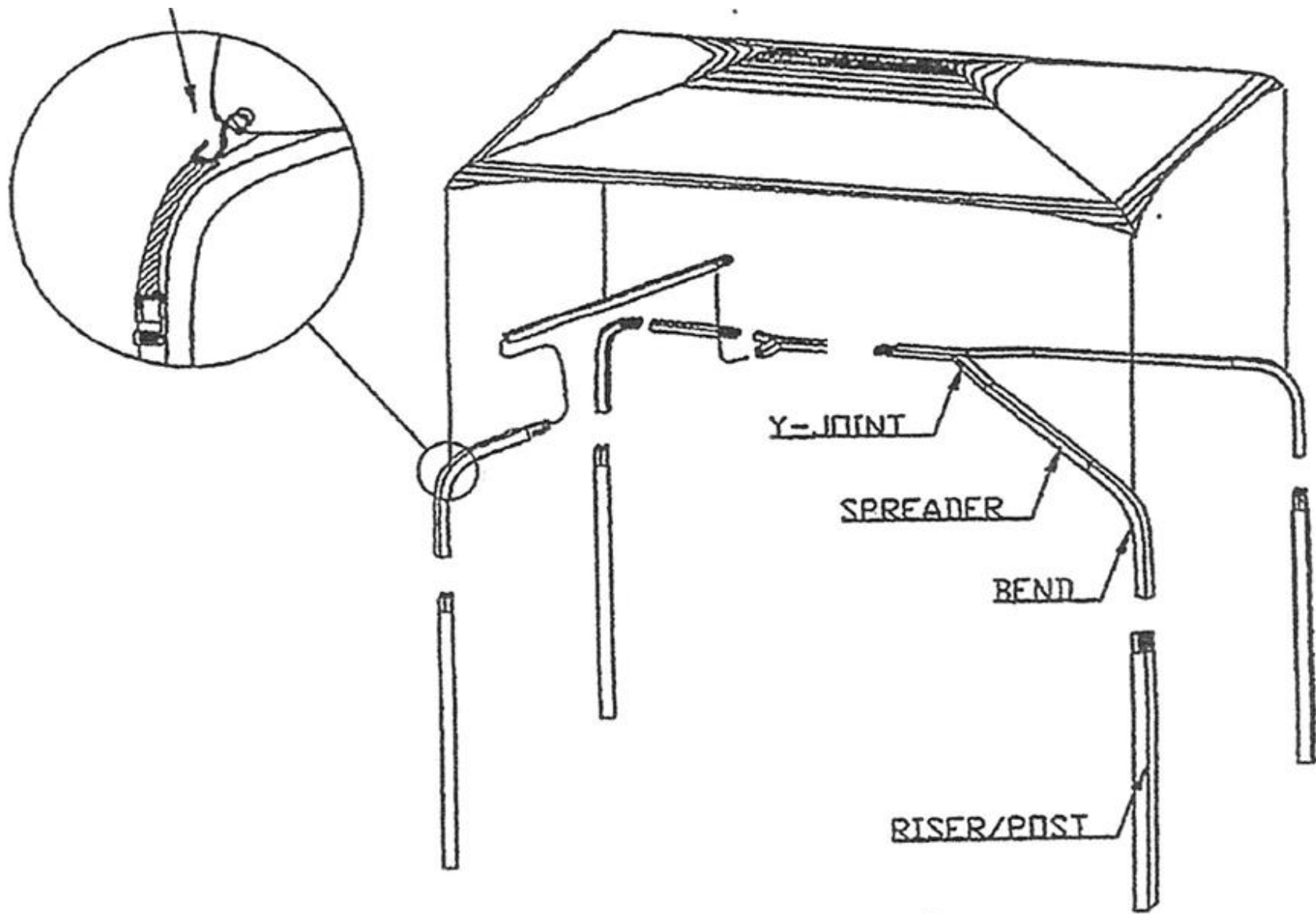


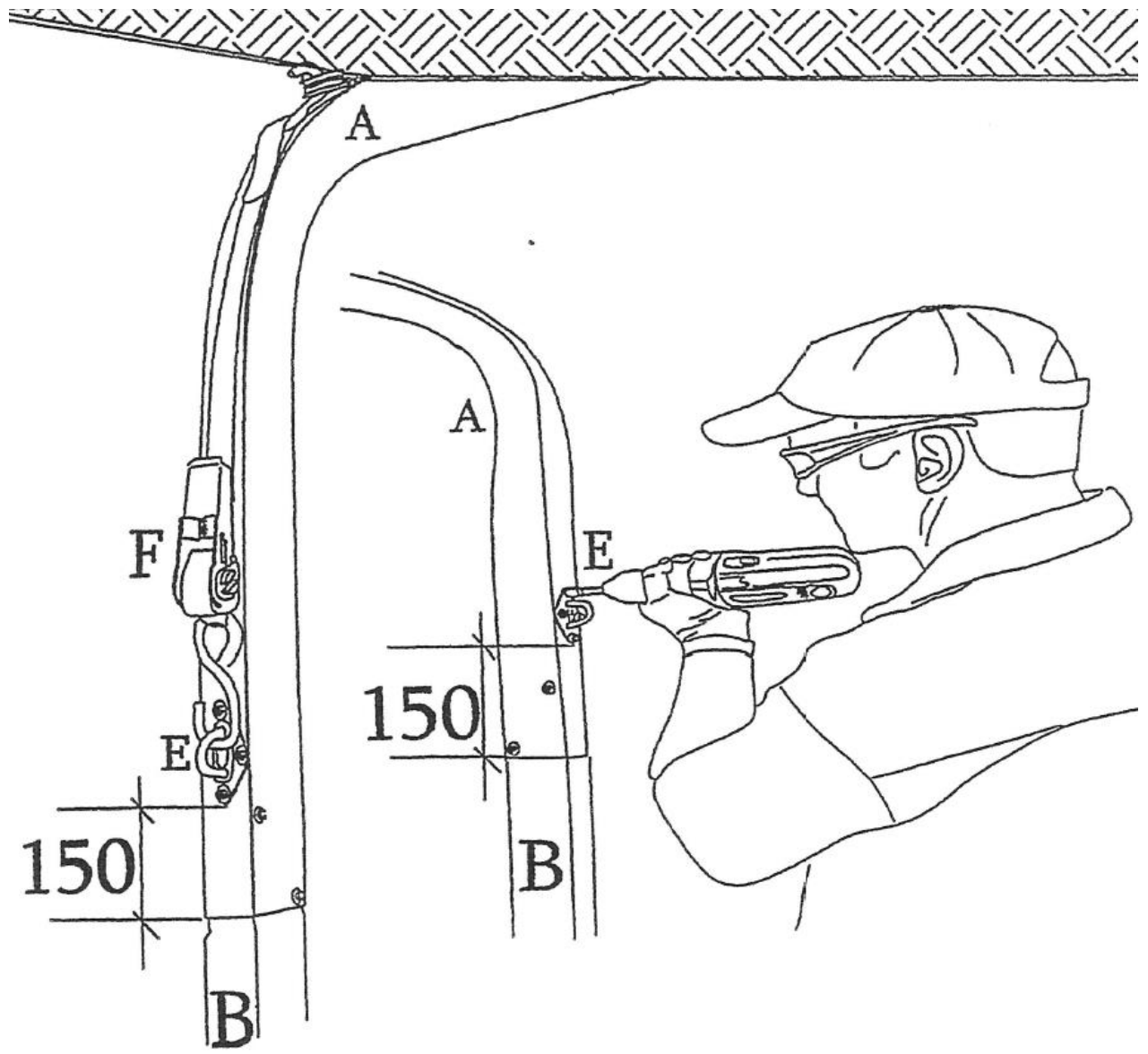
100 X 











[info@carcoversandshelter.com.au](mailto:info@carcoversandshelter.com.au)  
1300 851 038

