



IP 50-80-120-180 XP BA

meat mixers



Industria 4.0

- Modern design and strong AISI 304 stainless steel construction.
 - Tilting tank with automatic locking system and safety lock.
 - Stainless steel swivel wheels with lock (2).
 - Two mixing arms system.
 - Removable AISI 304 stainless steel mixing arms (no tools required).
 - Total protection of gear box/control panel.
 - Oil bath reducer with hardened and ground helical gears.
 - Double seal on tank and gear box.
 - Stainless steel IP 67 controls:
 - Forward and backward
 - auto-off feature
 - auto-function with reverse
 - Stainless steel cover with safety microswitch.
 - Minimum loading required: 40% max capacity.
 - Perfect for hard mix and salad.
- Optionals:**
- Feeding tray to add ingredients.
 - SRCS wifi control board



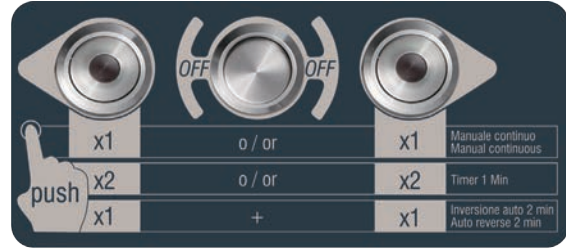
IP 180 XP BA



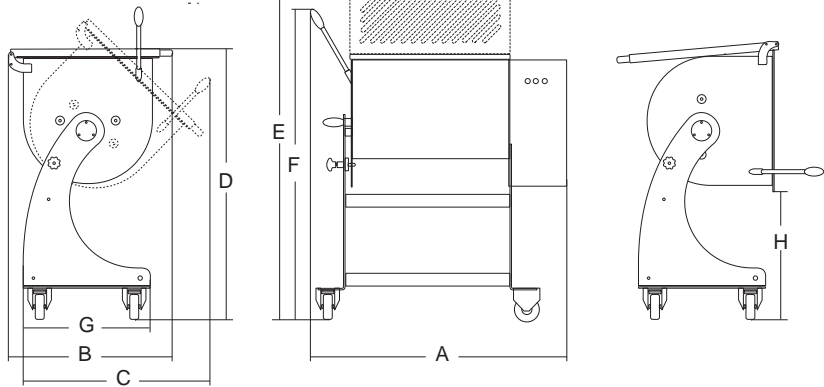
Tank overturn



Rmovable mixing arms



Control system: 2 prest programs + manual use



| | | | | | A | B | C | D | E | F | G | H | | | |
|---------------------|-------------------------------------|---------|---------|---------|------|-----|-----|------|------|------|-----|-----|-----|---------------|-------|
| | watt/Hp | | mm | lt/kg | mm | mm | mm | mm | mm | mm | mm | mm | kg | mm | kg |
| IP 50 XP BA | 1ph 370/0.5(x2) 3ph 550/0.75(x2) | 1ph/3ph | 420x500 | 88/50 | 810 | 630 | 730 | 1030 | 1617 | 1220 | 500 | 468 | 85 | 1200x670x1300 | 109.5 |
| IP 80 XP BA | 1ph 370/0.5(x2) 3ph 550/0.75(x2) | 1ph/3ph | 620x500 | 110/80 | 1000 | 630 | 730 | 1030 | 1617 | 1220 | 500 | 468 | 90 | 1200x670x1300 | 120.5 |
| IP 120 XP BA | 1ph 750/1(x2) 3ph 1.100/1.5(x2) | 1ph/3ph | 660x550 | 162/120 | 1092 | 700 | 855 | 1030 | 1717 | 1209 | 620 | 357 | 138 | 1450x760x1300 | 163 |
| IP 180 XP BA | 3ph 1.100/1.5(x2) | 3ph | 995x550 | 250/180 | 1422 | 700 | 855 | 1030 | 1717 | 1209 | 620 | 357 | 152 | 1450x760x1300 | 180.5 |



IP 50 XP BA



IP 80 XP BA



IP 120 XP BA