



IP 20 MAN

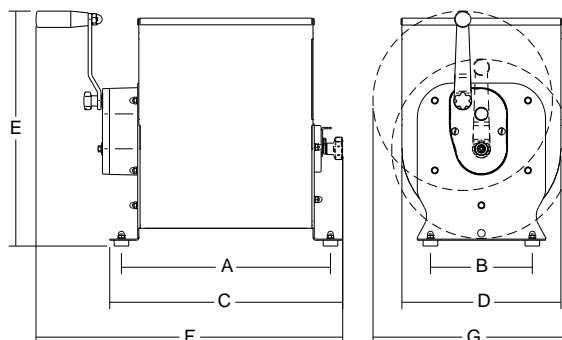
impastatrice manuale per carne

manual meat mixers

- Practical and compact, ideal for small mixed portions, in both butcher shops and restaurants.
- AISI 304 stainless steel construction.
- Speed reducer with tempered and ground gears.
- Gear protection system with double lip seal.
- AISI 304 stainless steel shovel easily removable without the aid of tools.
- 2 mixing speeds:
1:1 direct drive with the blade
1:3 for stronger mixes.

Options:

- Canederli shovel



IP 20 Man	270x300	28/20	360	175	400	273	403	527	340	13	23