

## DROP-IN INDUCTION WOK

with Standard Controls



### MWDG2500 & MWDG3500

605404

605604

PROJECT \_\_\_\_\_

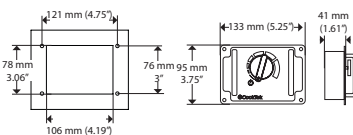
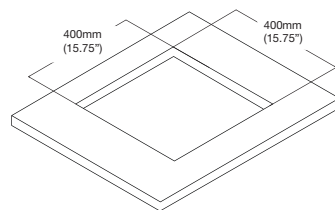
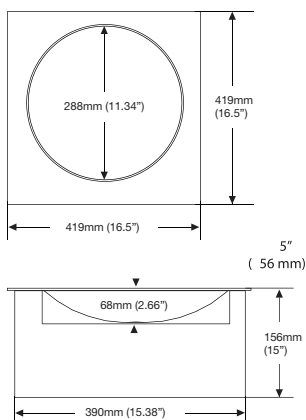
ITEM \_\_\_\_\_

QUANTITY \_\_\_\_\_

DATE \_\_\_\_\_

#### TECHNICAL DATA:

<b>Dimensions (W x D x H):</b>	419 x 419 x 156	
<b>Bowl (W x D):</b>	288 <sup>ø</sup> x 68	
<b>Cutout (W x H):</b>	400 x 400	
<b>Total Weight:</b>	9.98Kg	
<b>Wall Clearance:</b>	51mm (152 below)	
<b>Max Ambient Temperature:</b>	50°C	
<b>Model:</b>	<b>MWDG2500</b>	<b>MWDG3500</b>
<b>Total Connected Load:</b>	2.4kW	3.5kW
<b>Volts (Single Phase):</b>	220-240 V	220-240 V
<b>Amps</b>	10A	15A



The CookTek® Drop-in Induction Wok with Standard Controls boasts a drop-in countertop design with a stainless steel top, aluminum housing, and a recessed glass- ceramic wok bowl intended for commercial kitchens and restaurants. An automatic shut-off feature, integral cooling fan, and self-diagnosing microprocessor allow for a safe kitchen environment. Each unit is equipped with 20 precise power settings to ensure maximum and efficient heating of any induction compatible wok pan.\*

#### FEATURES:

- Drop-in design with stainless steel top and aluminum housing
- High-quality internal electronics and heavy gauge Litz wire
- Easy-to-clean high-temperature glass-ceramic top
- Automatic pan detection allows for instant energy transmission to pan
- LED display for user feedback
- Programmed with 20 power cook settings
- Automatic shut-off feature prohibits overheating
- Microprocessor monitors vital components to check for overheating, power supply issues, and more
- Integral fan keeps internal components cool
- Available in 10A & 15A

\*Induction cooking requires the use of induction-compatible (i.e. magnetic) cookware.

#### CERTIFICATIONS



Due to continuous product research and development, the information contained herein is subject to change without notice.

Revision: January 14, 2020 1:02 PM

[www.stoddart.com.au](http://www.stoddart.com.au)

[www.stoddart.co.nz](http://www.stoddart.co.nz)