

Hot Food Displays - Self Serve W.HFSSxx

Product Information:

- Self serve food display, available in a range of sizes from 3-6 bays
- Designed and recommended for wet operation
- Temperature regulation via thermostat and in-tank temperature probe, designed to hold product between 70°C - 80°C
- Air insulated, double skinned tank for energy efficient cooling
- Multiple elements for even heat distribution and ongoing operation
- Infra-red heat lamps
- 1/1 GN sized well, fits pans up to 100mm deep (sold separately)
- Additional accessories sold separately (sneeze guard, tray race, cutting board, trolley and sliding doors)
- **12-month onsite warranty**

NOTE:

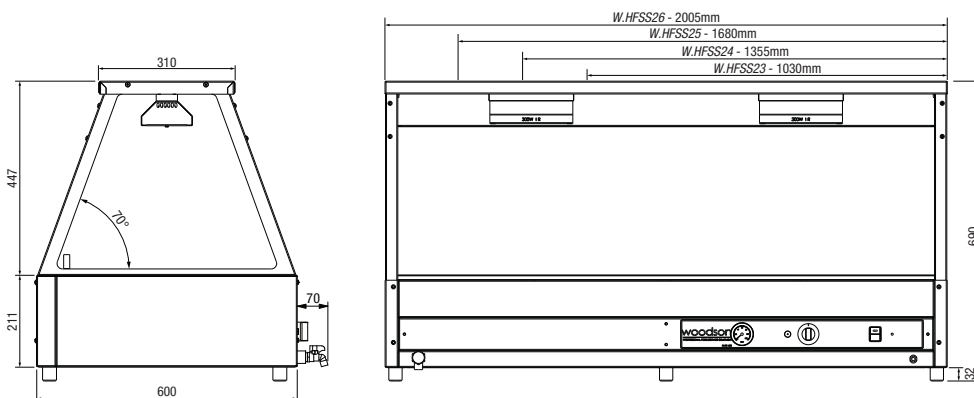
- Not recommended for the display of chickens, please refer to W.HFH models.
- All Woodson Food Displays are designed for use with Woodson GN pans. Other suppliers GN pans may fit, however this is not guaranteed.
- W.HFSS23 / W.HFSS25 available for order (minimum order quantity x 4) Contact your Stoddart representative



Shown with optional Sneeze guard, tray race, cutting board, trolley and sliding doors

Specifications

| Model | W.HFSS23 | W.HFSS24 | W.HFSS25 | W.HFSS26 |
|--------|---------------------------------|---------------------------------|---------------------------------|---------------------------------|
| Height | 690mm | 690mm | 690mm | 690mm |
| Width | 1030mm | 1355mm | 1680mm | 2005mm |
| Depth | 600mm | 600mm | 600mm | 600mm |
| Power | 2.4kW 10A plug & lead fitted | 3.0kW 15A plug & lead fitted | 3.3kW 15A plug & lead fitted | 3.6kW 15A plug & lead fitted |



Due to continuous product research and development, the information contained herein is subject to change without notice.

Revision: A - 27/09/2023 - 02

www.stoddart.com.au

www.stoddart.co.nz