

## Salamander W.GTSQI15

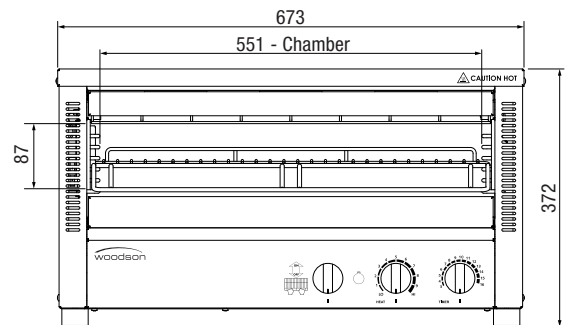
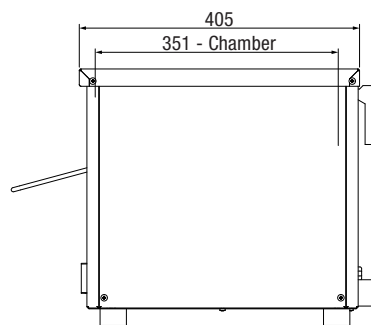
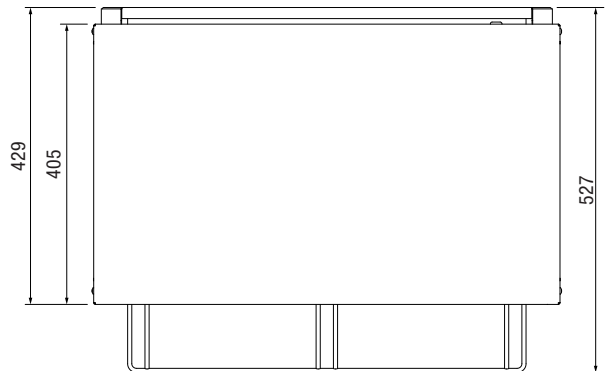


### Product Information:

- Energy efficient 'instant' heat, ceramic coated glass infrared elements
- Fast, exceptionally even grilling and toasting
- 2 operation modes - timer or simple "in is on" mode that uses a rack activated toggle switch (All power to top elements only)
- Multiple position slides and rack for safer loading
- Easy to clean removable crumb tray
- Stainless steel construction
- 551 x 351 x 87mm internal opening
- Includes wall mount brackets as standard

### Specifications:

<b>Model</b>	<b>W.GTSQI.15</b>
<b>Height</b>	372mm
<b>Width</b>	673mm
<b>Depth</b>	527mm
<b>Power</b>	3.36kW
	15A plug & lead fitted



Due to continuous product research and development, the information contained herein is subject to change without notice.

Revision: B - 25/05/2022 - 01

[www.stoddart.com.au](http://www.stoddart.com.au)

[www.stoddart.co.nz](http://www.stoddart.co.nz)