

Supertoast Toaster Griller W.GTQI8S.10 / W.GTQI8S.15

Product Information:

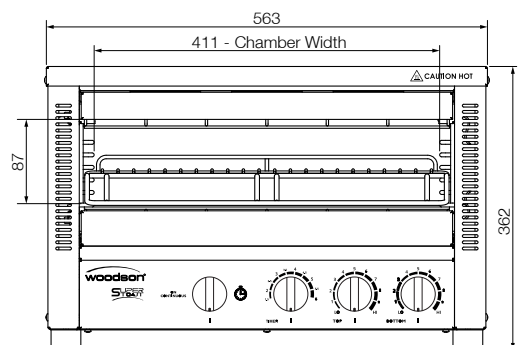
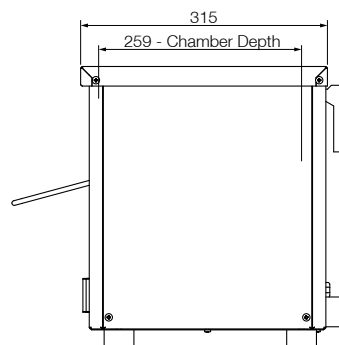
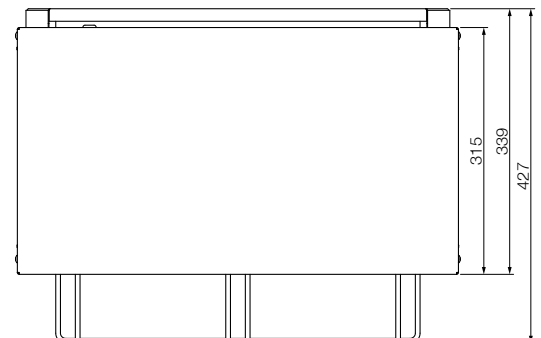
- Energy efficient 'instant' heat ceramic coated glass infrared elements
- Fast, exceptionally even grilling and toasting
- Timer controlled operation
- Multiple position slides and rack for safer loading
- Easy to clean removable crumb tray
- Stainless steel construction
- Available in 10/15 Amp models
- Variable top and bottom independent temperature controls
- 5 minute timer with bypass switch for continuous operation
- 441 x 259 x 87mm internal opening
- Includes wall mount brackets as standard



Specifications:

Model W.GTQI8S.10
Height 362mm
Width 563mm
Depth 427mm
Power 2.25kW
 10A plug & lead fitted
Capacity 8 Slice

Model W.GTQI8S.15
Height 362mm
Width 563mm
Depth 427mm
Power 3.36kW
 15A plug & lead fitted
Capacity 8 Slice



Due to continuous product research and development, the information contained herein is subject to change without notice.

Revision: D - 25/05/2022 - 01

www.stoddart.com.au

www.stoddart.co.nz