

Toaster Griller W.GTQI4.CUB

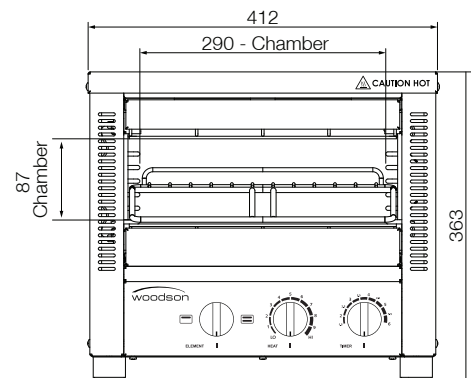
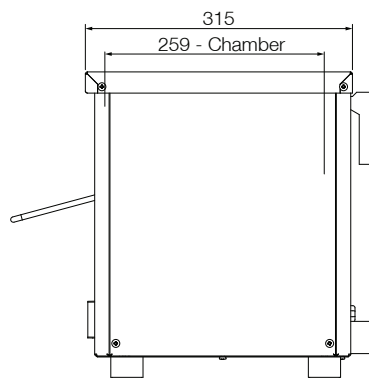
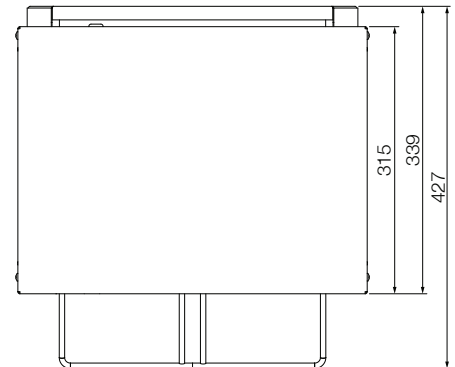


Product Information:

- Energy efficient 'instant' heat ceramic coated top, glass infrared elements
- Fast, exceptionally even grilling and toasting
- Timer controlled operation
- Top / bottom element control or top only via 3 position selector
- Multiple position slides and rack for safer loading
- Robust stainless steel construction
- Removable crumb tray for ease of cleaning
- Wall mounting brackets supplied as standard

Specifications:

| | |
|-----------------|---|
| Model | W.GTQI4.CUB |
| Height | 362mm |
| Width | 412mm |
| Depth | 427mm |
| Weight | 16kg |
| Power | 240VAC / 50Hz / 2.2kW (10A Plug & lead fitted) |
| Capacity | 4 Slice |



Due to continuous product research and development, the information contained herein is subject to change without notice.

Revision: A - 18/07/2022 - 02

www.stoddart.com.au

www.stoddart.co.nz