

Pro Series Computer Controlled Contact Toaster W.GPC62SC

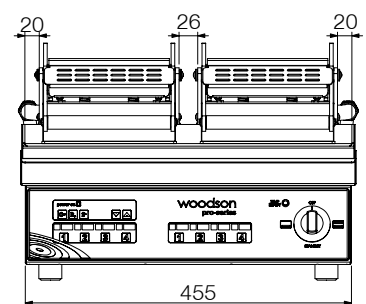
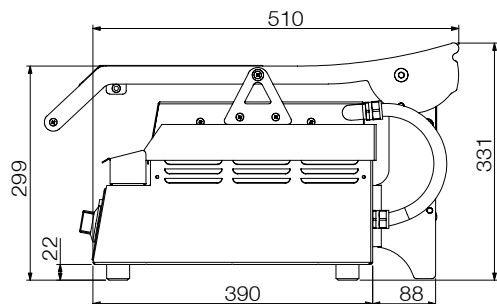
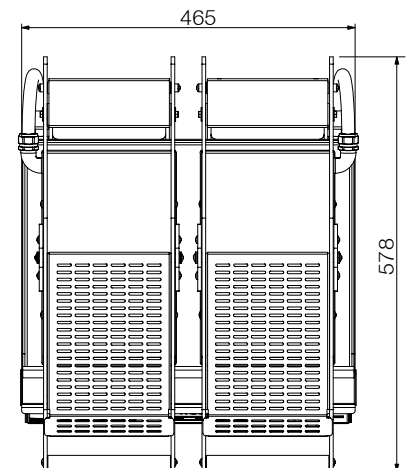
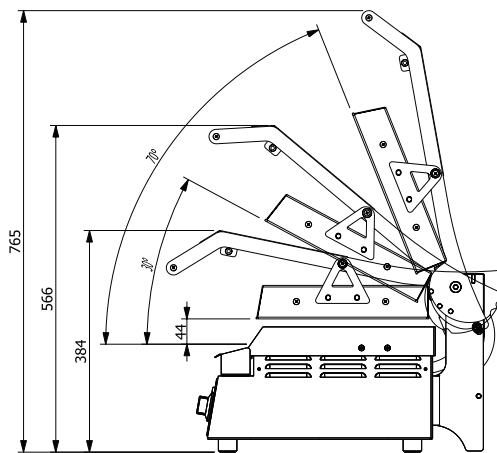


Product Information:

- Full size stainless steel lower plate with integrated splashback to protect from overflow
- Gas strut assisted dual top plates for easy operation and controlled weight to product
- Computer controlled operation - 3 mode (All plates, bottom plate only, & standby)
- Concealed temperature regulation via thermostat (preset at 210°C)
- LED timer display and 8 programmable settings
- Protective heat shield for increased operator safety - removable
- Optional accessories available

Specifications:

| | |
|-----------------------|---|
| Model | W.GPC62SC |
| Height | 331mm |
| Width | 468mm |
| Depth | 578mm |
| Power | 240VAC / 50Hz / 2.2kW 10A plug & lead fitted |
| Top Plates x 2 | 188 x 300mm |
| Bottom Plate | 455 x 310mm |



Due to continuous product research and development, the information contained herein is subject to change without notice.

Revision: C - 18/07/2022 - 02

www.stoddart.com.au

www.stoddart.co.nz

