

Snackmaster Small Conveyor Oven W.CVS.S.15

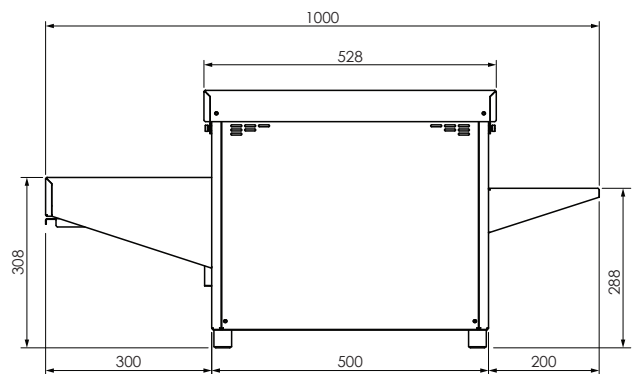
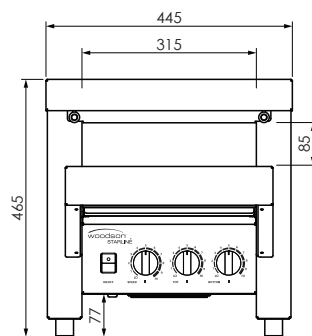
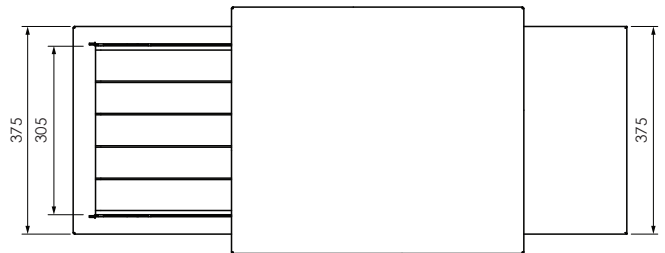
Product Information:

- Ideal for toasting/cooking open snacks and a variety of other foods
- Independent top and bottom element and temperature control
- Variable speed belt control with automatic tensioning
- Integrated fan forced technology for efficient heat distribution and cooling of electrical components
- Fully insulated top and body for chamber heat retention and increased user safety
- Robust stainless steel construction
- Temperature regulation via variable mechanical power control
- Additional accessories sold separately



Specifications:

Model	W.CVS.S.15
Height	465mm
Width	1000mm
Depth	445mm
Belt Width	305mm
Power	240VAC / 50Hz / 3.6kW (15A plug & lead fitted)



Due to continuous product research and development, the information contained herein is subject to change without notice.

Revision: D - 15/07/2022 - 02

www.stoddart.com.au

www.stoddart.co.nz

