

Bench Mounted Chip Dump W.CD.B.P.11

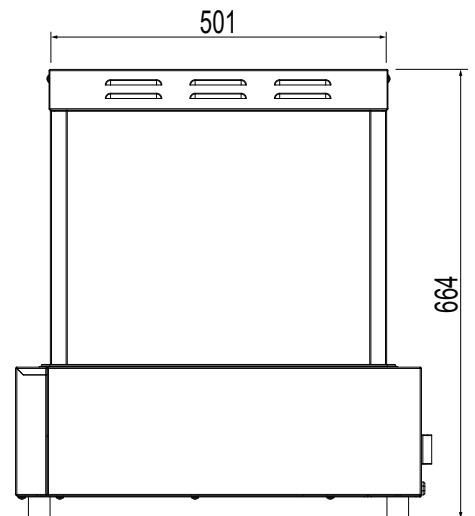
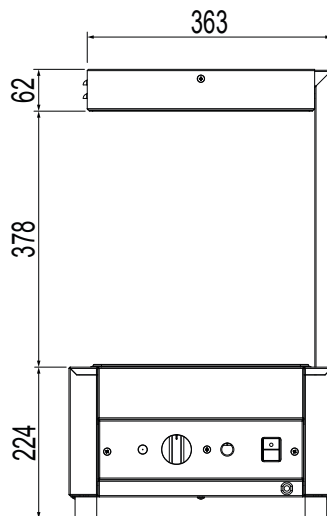
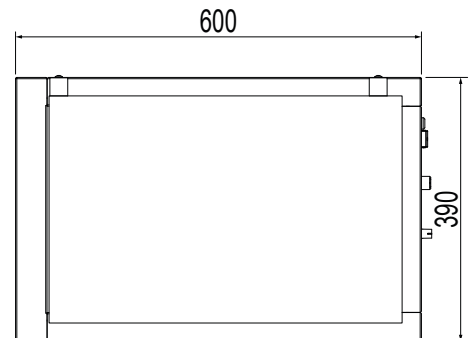


Product Information:

- Temperature regulation via thermostat (30°C - 120°C)
- 2 x heat lamps fixed in gantry
- Independent controls for single heater pad and heat lamps with dimmer
- Perforated slide to ensure chips stay crisper for longer (supplied)

Specifications:

Model	W.CD.B.P.11
W x D x H (mm)	600 x 390 x 664*
Weight	24kg
Total Connected Load	1.25kW
Electrical Connection	230VAC / 50Hz (10A plug & lead fitted)
Capacity GN	1/1 GN 100mm Deep



Due to continuous product research and development, the information contained herein is subject to change without notice.

Revision: A - 10/05/2023 - 03

www.stoddart.com.au

www.stoddart.co.nz

