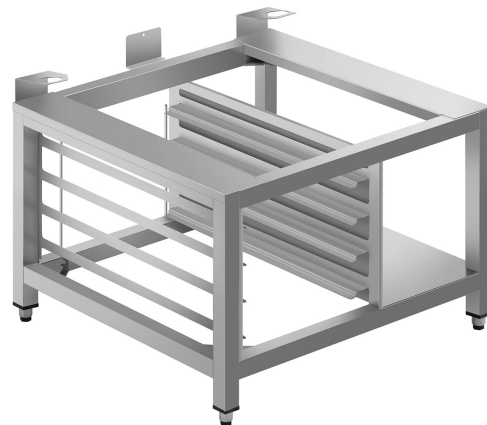


STDM

Family	Ovens trays 600x400
Subfamily	Tables
Type	Oven support frame - 4 trays
Width	800 mm
Depth	750 mm
Height	500 mm
Net weight	17,000 kg
Suitable for	Combined ovens 5 GN1/1
Suitable for	Combi oven PO45LSE

Galileo oven support frame - 4 trays



Colour Stainless steel

Construction

Pieces per pack	1	Material	Stainless steel
-----------------	---	----------	-----------------