

primus

laundry equipment

COMMERCIAL WASHER EXTRACTOR

PFNJX
(OPL)
Washer
10kg



FEATURES

- Stainless steel outer and inner drum
- Industry-leading 440 G-Force extraction removes more moisture, minimizing drying times and utility costs
- Totally freestanding: can be installed on any floor and any level
- Suspension with new out-of-balance logic
- Soap box with four compartments
- Door opens 180° for easy loading and unloading
- Coin boxes and coin mechanisms available as an option
- Standard with drain pump, drain valve optionally available
- Top, front and side panels standard available in anthracite grey
- Electrical heating or boiler-fed
- 6 wash programs
- Possibility of programming cycle modifier options
 - » Added prewash » Extra wash time » Extra rinse
- LED indication of the status of the program
- Time remaining countdown



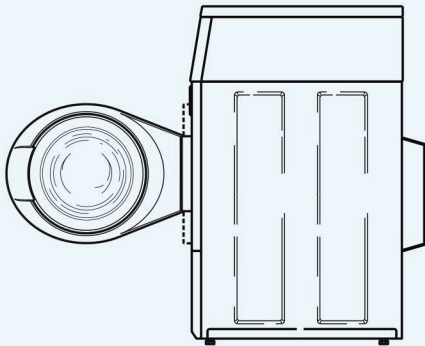
COMPACT
DESIGN



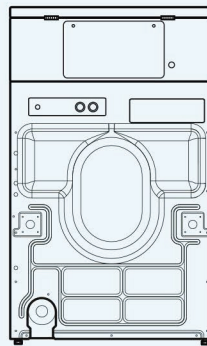
EASY
OPERATION

TYPE		PFNJX (OPL)
CAPACITY	kg	10
DRUM VOLUME	l	96,8
MOTOR		
Frequency controlled	kW	0,67
EXTRACTION SPEED	rpm	1200
G-FACTOR		440
ELECTRICAL CONNECTION		
		1x220-240V 50Hz 3x220-240V 50Hz 3x380-415V+N 50 Hz
ELECTRICAL HEATING	kW	4,8
DRAIN		
Pump		standard
Drain valve		available
DIMENSIONS		
HxWxD	mm	1126x683x704
Net weight	kg	119
TRANSPORT DATA		
Volume (packed)	m ³	0,77
Packed HxWxD	mm	1150x760x860
Gross weight	kg	128

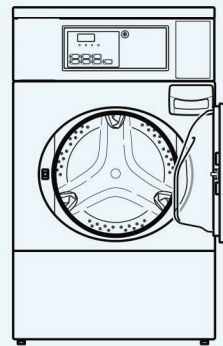
Washer Side View



Washer Back



Washer Front View



The Primus preserves the right to change the machines and the specification in this leaflet at any time, without prior notice. Details and photographs are only for information and never binding.

www.primuslaundry.com

