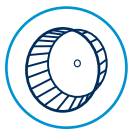


# 9KG STACK WASHER/DRYER



## MLE22 AND MLG22



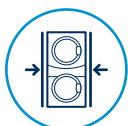
### TURBOVENT® SYSTEM

- A high-speed blower wheel optimizes performance in long vents
- High airflow helps reduce drying times for a wide variety of loads
- Helps to increase efficiency and turns over the life of the machine



### INTELLIGENT CONTROLS WITH M-SERIES TECHNOLOGY

- Easy-to-read diagnostics assist with quick identification of an issue helping to get the machine back into service
- Can be upgraded to Card Reader only to prevent vandalism and increase safety in your laundry
- End users can easily choose their preferred wash experience with one-touch cycle selection
- Digital display clearly conveys prices, selections, and time remaining



### SPACE-SAVING CONFIGURATION

- All within the floor space of a single unit, the large capacity of the 9kg washer provides ample room for bulky items, while the extra-large, 9kg dryer allows for loads to be dried effectively
- Saving space can still deliver an optimal cleaning experience for end-users and help maximize laundry throughput



### BUILT TO LAST

- Porcelain enamel top — a durable finish that stands up to the demands of high-traffic
- Premium bearings — oversized premium NSK bearings are sealed for added protection of the drive system
- Robust hinge — heavy-duty, die-cast door hinge is built to withstand the rigors of commercial laundry



**NON-COIN**  
MLE22PN (pictured)  
Also available in gas

9kg Stack Washer/Dryer		
Payment Configuration	Electric	Gas
Non-Coin	MLE22PN	MLG22PN
Coin Drop or Card Reader Ready	MLE22PD	MLG22PD



**COIN DROP OR CARD READER READY**  
MLE22PD (pictured)  
Also available in gas



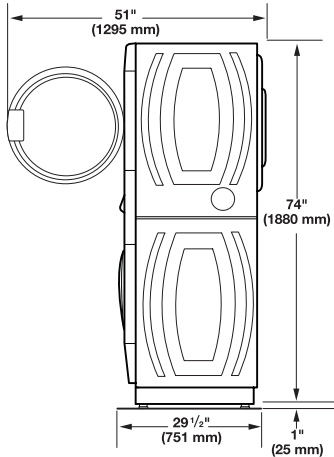
See [maytagcommerciallaundry.com](http://maytagcommerciallaundry.com) for warranty details.

# 9KG STACK WASHER/DRYER

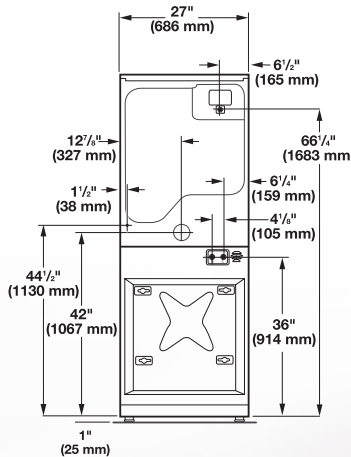


## MLE22 AND MLG22

### SIDE VIEW



### BACK VIEW



### Maximum Exhaust Duct Length Per Number of Turns

Rigid Metal Vent

Box Hood and Louvered Style

Angled Hood Style



No. of 90° Turns

No. of 90° Turns	Box Hood and Louvered Style	Angled Hood Style
0	39.6 m	39.3 m
1	38.1 m	36.3 m
2	35.1 m	33.2 m
3	32.3 m	30.5 m
4	29.9 m	28.0 m



\*Use 4" (100 mm) diameter rigid aluminum or galvanized steel duct. Never use plastic, non-metal or combustible duct. See specific instructions for proper installation. Because of continuous product improvement, Maytag reserves the right to change specifications without notice. Export model ships without coin-drop mechanism.

MODELS	MLE22PD MLE22PN	MLG22PD MLG22PN
<b>COIN DROP / CARD READY NON-COIN</b>		
<b>Fuel Type</b>	<b>Electric</b>	<b>Gas</b>
<b>CAPACITY</b>		
Cylinder Volume — liters	88	88
Cylinder Diameter — mm	547	547
Cylinder Depth — mm	340	340
<b>DIMENSIONS</b>		
Width — mm	686	686
Depth — mm	751	751
Height — mm	1,880	1,880
Door Opening — mm	362	362
Exhaust Duct Diameter — in. (mm)	4 (100)*	4 (100)*
<b>CRATED DIMENSIONS</b>		
Crated Width — mm	743	743
Crated Depth — mm	864	864
Crated Height — mm	1,924	1,924
<b>APPROXIMATE WEIGHT</b>		
Uncrated — kg	169	171
Crated — kg	173	176
<b>ELECTRICAL REQUIREMENTS</b>		
Voltage	220-240V - 50Hz	220-240V - 50Hz
Breaker/Fuse — amps	25	10
Airflow — CFM (CMM)	215 (6.1)	230 (6.5)
Electric Heating Element (watts)	4,600	N/A
Gas Rating — BTU/hr (kcal/hr)	N/A	20,000 (5,040)
Gas Inlet Size — in.	N/A	3/8 N.P.T.
Motor Size — HP (kW)	1/3 (0.25)	1/3 (0.25)



# FLUING & DUCTING ACCESSORIES FOR MAYTAG COMMERCIAL DRYERS



**100mm THROUGH WALL KIT (STAINLESS STEEL)**  
Part Number: DVS1SS



**GRAVITY VENT - MARINE GRADE STAINLESS STEEL 100mm**  
Part Number: GVSS100



**RIGID GALV DUCTING 100mm x 1200mm**  
Part Number: PPS04430



**DRAFT BLOCKER 100mm**  
Part Number: DBV100



**ADJUSTABLE ELBOW 0-90 DEGREES - 100mm**  
Part Number: ELB049030



**INTERNAL SIDE FLU KIT - TO CHANGE DRYER VENTING**  
Part Number: W10470674



**INDOOR LINT FILTER TRAP\***  
Part Number: LTF



**FLEXIBLE DUCTING\* 100mm x 2.4m**  
Part Number: AO48MX/9



**DRYER VENT CLEANING BRUSH**  
Part Number: DVBRUSH8

\*Not recommend for commercial use. Can only be used on Electric Dryers. Additional specialised fluing parts can be organised through our spare parts department.



## Maytag Commercial Install Summary

### MLE22PN/PD ELECTRIC Stack Washer/Dryer

- No power cord supplied - requires hardwiring into a dedicated 1 phase 25AMP circuit by your electrician.
- ¾" hot and cold water taps within 1m
- Standpipe or laundry drain minimal 77cm high
- Minimum 110mm clearance behind unit<sup>1</sup>
- Requires fluing to external air using single skin 100mm rigid galv<sup>2</sup>

#### Before operation:

- Installation manual to be read
- Shipping bolts to be removed
- Unit to be levelled
- Service key is bubble wrapped in machine drum – needs to be stored & kept



### MLG22PN/PD GAS Stack Washer/Dryer

- Standard 10AMP GPO within 1.0m to plug into
- ¾" hot and cold water taps within 1m
- Standpipe or laundry drain minimal 77cm high
- Minimum 110mm clearance behind unit<sup>1</sup>
- Requires fluing to external air using single skin 100mm rigid galv<sup>2</sup>
- Licensed gas plumber to connect to gas and fluing

\*Natural gas as standard - LPG Conversion Kits available.

#### Before operation:

- Installation manual to be read
- Shipping bolts to be removed
- Power cord to be pulled through
- Unit to be levelled
- Service key is bubble wrapped in machine drum – needs to be stored & kept.

### MLE27PN/PD ELECTRIC Stack Dryer/Dryer

- No power cord supplied - requires hardwiring into a dedicated 1 phase 50AMP circuit by your electrician.
- Minimum 110mm clearance behind unit<sup>1</sup>
- Requires 2 x fluing to external air using single skin 100mm rigid galv<sup>2</sup>

#### Before operation:

- Installation manual to be read
- Unit to be levelled
- Service key is bubble wrapped in machine drum – needs to be stored & kept

### MLG27PN/PD GAS Stack Dryer/Dryer

- Standard 10AMP GPO within 1.0m to plug into
- Minimum 110mm clearance behind unit<sup>1</sup>
- Requires 2 x fluing to external air using single skin 100mm rigid galv<sup>2</sup>
- Licensed gas plumber to connect to gas and fluing

\*Natural gas as standard - LPG Conversion Kits available.

#### Before operation:

- Installation manual to be read
- Unit to be levelled
- Service key is bubble wrapped in machine drum – needs to be stored & kept





## Maytag Commercial Install Summary



### MAT20 Top Load Washer

- Standard 10AMP GPO within 1.0m to plug into
- ¾" hot and cold water taps within 1m
- Standpipe or laundry drain minimum 77cm high

Before operation:

- Installation manual to be read
- Unit to be levelled



### MHN33 Front Load Washer

- Standard 10AMP GPO within 1.0m to plug into
- ¾" hot and cold water taps within 1m
- Standpipe or laundry drain minimum 77cm high – if supplied on plinth, laundry drain to be 102cm high

Before operation:

- Installation manual to be read
- Shipping bolts to be removed
- Power cord to be pulled through
- Unit to be levelled

### MDE20 or MDE28 ELECTRIC Dryer.

- No power cord supplied - requires hardwiring into a dedicated 1 phase 25AMP circuit by your electrician.
- Requires fluing to external air using single skin 100mm rigid galv<sup>2</sup>

\*Natural gas as standard - LPG Conversion Kits available.

Before operation:

- Installation manual to be read
- Unit to be levelled

### MDG20 or MDG28 GAS Dryer.

- Standard 10AMP GPO within 1.0m to plug into
- Licensed gas plumber required to connect to gas and fluing on site
- Requires fluing to external air using single skin 100mm rigid galv<sup>2</sup>

\*Natural gas as standard - LPG Conversion Kits available.

Before operation:

- Installation manual to be read
- Unit to be levelled

**Install summary is a brief guide only and does not cover all requirements.**

Full installation manual is supplied with each machine as hard copy and is also available via email on request.

**1** – Clearances are minimum for dryer free air requirements. Additional clearances may be required depending on fluing and supply requirements on site.

**2** - All dryers must be flued to external air with rigid galvanised ducting. Dryers in outdoor areas require fluing to direct heat and lint away from unit. Multiple /group dryer ducting requirements as per installation manual.

Ducting available from Dependable Laundry Solutions.