

# LV 610A

## GAS LAVA ROCK ROBATA/HIBACHI/SHISH SMALL SKEWERS GRILL



EXAMPLE OF THE PHOTO LV610A WITH 2000MM WIDTH



### BURNERS

- Fully manufactured in AISI 304 stainless steel with burner covers;
- Powerful heat & fast cooking with high gas MJ rating.

### EASY GAS CONTROL

- Two Hi-Lo gas controls with automatic shutoff gas valve, zip cross lighting tube burner for easy lighting of main burners and battery spark ignitor;
- New powerful 3 way pilot flame safety system assembled in the sides of the appliance, away from the main cooking zone & rocks;
- Flash lighting tube for manual lighting of pilot with a lighter stick as alternative light up method.

### LAVA ROCK

- Lava rock system for extra charred flavour similar to charcoal, adding extra cooking temperature;
- Similar appearance to solid fuel cooking;
- Models can operate with or without lava rocks.

### PERFORMANCE

- A high performance display cooking grill with combination of high MJ gas rating for a high cooking heat & lava rocks for extra flavour & flame effect;
- Appliance can run on high heat for high output or low heat for more delicate pieces.

### OPTIONAL

- SS or mild steel round bar drop on grids;
- Side & rear SS sheet panels to enclose the cooking zone on sides & back;
- SS small flat skewers;
- SS flat perforated drop on fish grids.

### AVAILABLE SIZES

- Width available as per the table below, according to the customer's needs.

Width mm (inches)
1000mm (39,37")
1200mm (47,24")
1500mm (59,05")
1800mm (70,86")
2000mm (78,74")

### MACHINE STRUCTURE

- Internal structure in AISI430 or AISI304 stainless steel;
- 4 inches casters, which helps the displacement for maintenance and cleaning;
- External panels in brushed AISI430 or AISI304 stainless steel;
- Angled trays on the lower part of the equipment & central removable tray for grease drippings collection;
- Smaller grilling area & machine depth with adjustable & removable shelf bars for grilling at multiple heights above the lava rocks on mini skewers or grills.
- Latest technical features of AGA 2024 series (certificate 9060);
- Machine equipped with safety gas kit that includes AGA approved parts: Safety gas valve with automatic shut off system, pilot, and thermocouple.

### GAS

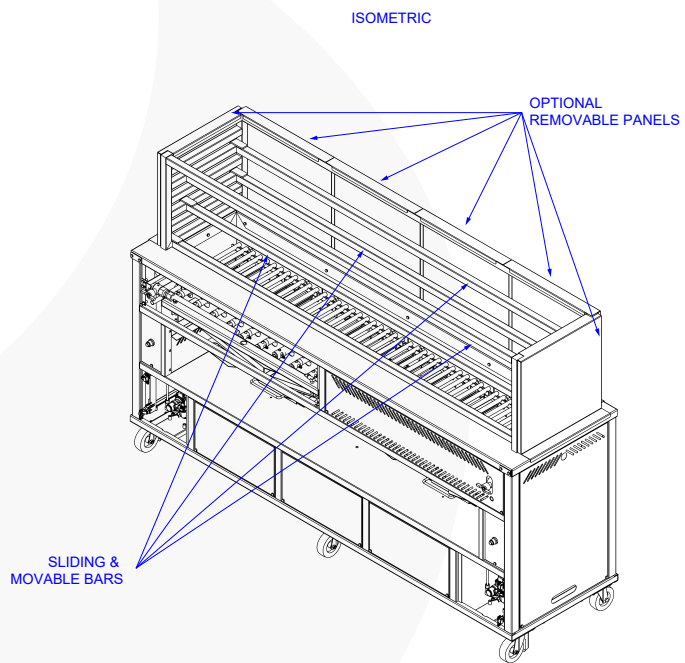
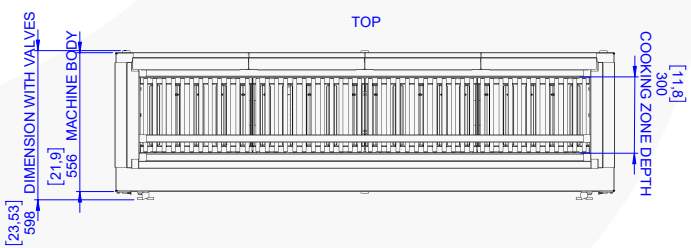
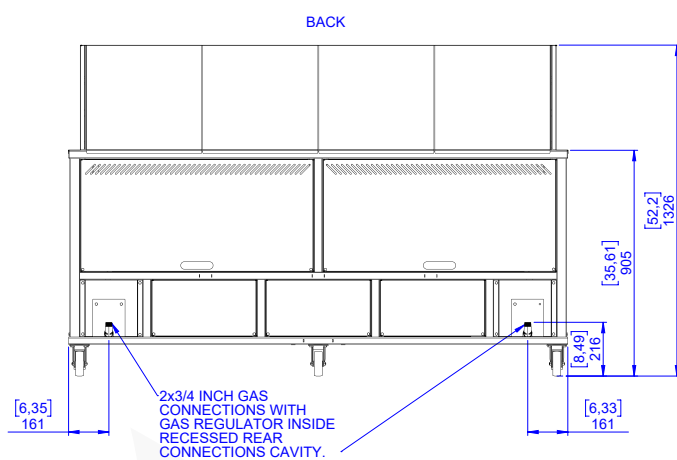
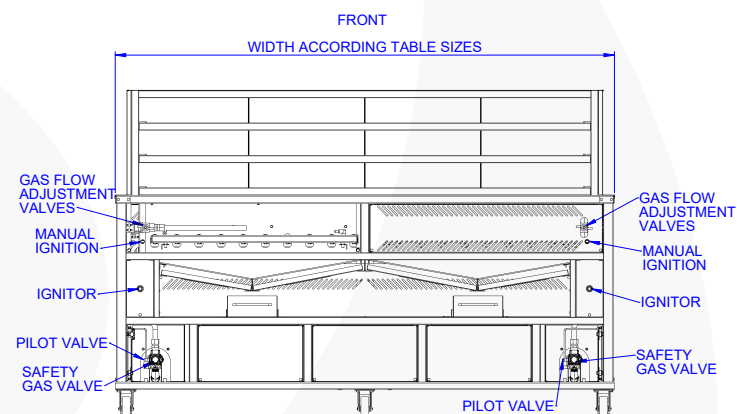
- Appliance has 2 gas connections 3/4 inch each, in a recessed rear connections cavity.
- Suited for natural gas or LPG. Please specify when ordering;
- An independent pressure regulator is required for each gas inlet.

### ELECTRICITY

- This appliance does not require electricity to be operated.

### MISCELLANEOUS

- This installation must conform according local codes (AS/NZS 5601). In the absence of local codes, the installation must conform to the National Fuel Gas Code, ANSI Z223.1, Natural Gas Installation Code, CAN/CGA-B149.2, or the Propane Installation Code, CAN/CGA-149.2. For installation under ventilation hood only. The manufacturer is not responsible for installation;
- Latest technical features of AGA 2024 series (certificate 9060);
- 2 Years Parts & Labour Factory Backed Warranty with standard terms.



**SERVICES CONNECTIONS:**  
 - 2x3/4 INCH GAS CONNECTIONS (HALF OF TOTAL GAS CONSUMPTION NEEDED FOR EACH CONNECTION);  
 - SUPPLY GAS PRESSURES 1-1.15KPA NATURAL GAS, UNIVERSAL LPG 2.75KPA;  
 - MANIFOLD TEST POINT OPERATING PRESSURE TO BE SET AT 0.8KPA NATURAL GAS, 2.6KPA LPG ON THE APPLIANCE.

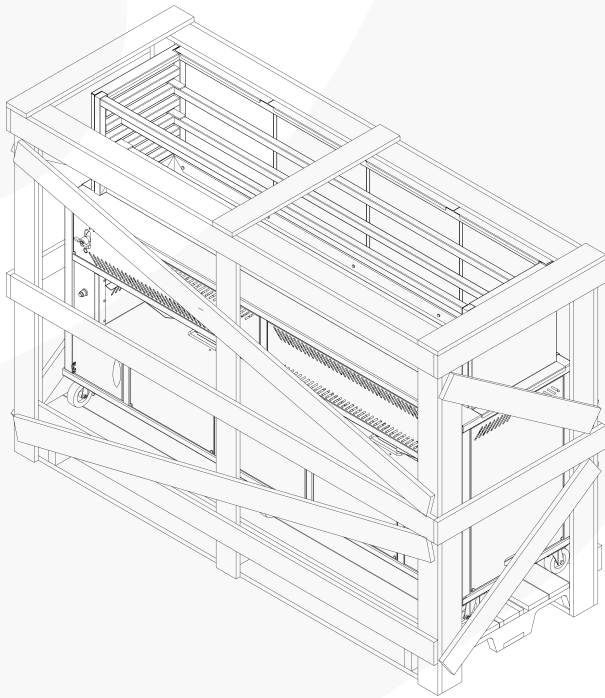
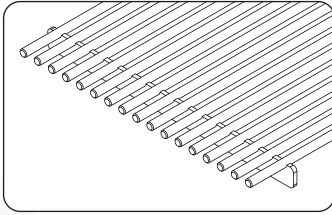
**SIZING CHART AND CONSUMPTION**

Machine Width mm (inches)	Number of Burners	Number of Burnes Control Valves	Cooking Area Width	Machine Body Depth	Natural Gas Consumption	ULPG Consumption
1000mm (39,37")	10 Burners	2 Valves	880mm/34,64"	556mm/21,88"	111MJ/h	111MJ/h
1200mm (47,24")	12 Burners	2 Valves	1080mm/42,51"	556mm/21,88"	133MJ/h	133MJ/h
1500mm (59,05")	16 Burners	2 Valves	1380mm/54,33"	556mm/21,88"	177MJ/h	177MJ/h
1800mm (70,86")	18 Burners	2 Valves	1680mm/66,14"	556mm/21,88"	199MJ/h	199MJ/h
2000mm (78,74")	20 Burners	2 Valves	1880mm/74,01"	556mm/21,88"	222MJ/h	222MJ/h



## GRILLS OPTION DRAWINGS

Round bar



### CRATED WEIGHTS & DIMENSIONS

Equipment Width Size	Approximate Net Weight	Dimensions with packaging (in millimeters and inches)	Crated Weight (gross)
1000mm/39,37"	140Kg/309lb	1160x840x1510mm/45,66x33,07x59,44"	178Kg/392lb
1200mm/47,24"	169Kg/372lb	1360x840x1510mm/53,54x33,07x59,44"	214Kg/472lb
1500mm/59,05"	211Kg/465lb	1660x840x1510mm/65,35x33,07x59,44"	267Kg/588lb
1800mm/70,86"	253Kg/558lb	1960x840x1510mm/77,16x33,07x59,44"	320Kg/705lb
2000mm/78,74"	281Kg/619lb	2160x840x1510mm/85,03x33,07x59,44"	356Kg/785lb

## SCHEER CHURRASQUEIRAS E PARRILLAS

Address: KM 148, BR-116, 17204 | CEP 95054-780  
Sagrada Família | Caxias do Sul | RS | Brasil

Website: [www.scheer.com.br](http://www.scheer.com.br)  
Contact: +55 54 3224.3066  
E-mail: [scheer@scheer.com.br](mailto:scheer@scheer.com.br)



### USA:

+1 9544152161 – ZAFILL.COM

### EUROPE:

+31 6 21674858 – ABMBBQ.NL

### JAPAN:

+81 3 3280 1035 – SCHEER.JP

### AUSTRALIA:

+61 0 422 477725 – PROLINEEQUIPMENT.COM.AU

### SOUTH AFRICA:

+27 11 568 4598 – SCHEER.CO.ZA

