

HTY511DHAUS

Family	Dishwasher
Subfamily	Hoodtype dishwasher
Basket dimensions	500x500 mm
Panel	Ecoline 2016
Filter	5-stages filter system
Rinse pump H.T.R. system	Rinse pump with atmospheric boiler
SHR system	Yes
Usable load height	440 mm
Power connection	400 V 3N~ / 16 A / 9,7 kW / 50 Hz
Product dimensions WxDxH	620x736x1530 mm



Distribution

Solutions	Bars/Cafes; Hotels; Restaurants/Catering; Butcher's shops; Schools; QSR
-----------	--

Aesthetics

Serie	Easyline	Led color	Green
Control panel	Electronic		

Functions



Functionality	GN 1/1 trays washing; 5-stage filter; SHR+; HTR; Door clearance 440mm
---------------	---

Programs

Programs	6 automatic programs; 1 fully programmable program; Self-cleaning programs; Cold water rinse program
Program options	Extra rinse; Clean water cycle
Program specifications	Boiler 85°C/Tank 60°C-60"; Boiler 71°C/Tank 60°C-1'20"; Boiler 85°C/Tank 60°C-1'30"; Boiler 71°C/Tank 60°C-2'10"; Boiler 85°C/Tank 60°C-2'40"; Boiler 85°C/Tank 60°C-4'10"
Drain and self cleaning cycle	Yes

Maximum basket/hour	60
Maximum dishes/hour	720

Interface

Display	4 digit	On/Off button	Yes
Number of buttons	5	Manual diagnostic	Yes

Construction

Tank Construction	Deep drawn Double wall	Tank capacity	17 l
Tank material	Stainless steel AISI 304	Boiler capacity	8 l
Back panel	Prepainted	Rumorosità	Lpa 59,9 dBA
Tank filter	Stainless steel	Protection class	IPX4
Washing spray arm	Stainless steel	Adjustable feet	Yes
Rinse spray arm	Stainless steel	Net weight	135,000 kg
Hood	Double wall	Drain max. height	1000 mm

Technical Features

Tank heating element	2200 W	Water inlet	8°C
Boiler heating element	9000 W	Max temperature inlet water	60°C
Washing pump	700 W	Max water hardness	12°F - 7°dH
Default connection	9700 W	Water inlet	Cold 15°C
Water cycle consumption	2,7 l		

Electrical Connection

Electrical connection option	230 V~ / 29 A / 6,7 kW / 50 Hz; 400 V 3N~ / 13 A / 6,7 kW / 50 Hz
------------------------------	---

Equipments

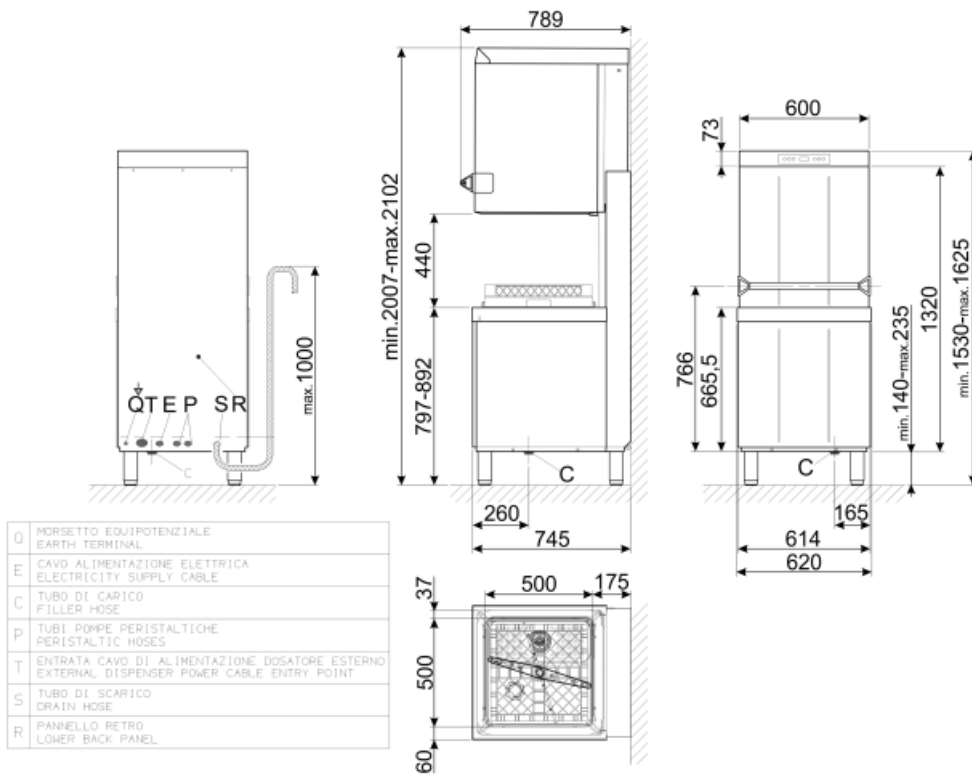
Drain pump	Yes	Rinse load	Yes, manual
Peristaltic detergent doser	Yes, electronic control	Cycle counter	Yes
Peristaltic rinse-aid doser	Yes, electronic control	Break tank	Yes
Default chemicals dosing unit of measure	gr/lt	Partial renewal of water in the tank and built-in drain pump	Si
Boiler thermostop	Yes default ON	Trays washing option GN1/1 530x325mm	Yes
Soft Start	Yes	Water supply pipe diameter	16 mm
Stand-by system	Yes	Drain supply pipe diameter	21,5 mm
Automatic start	Yes, default OFF		
Detergent load	Yes, manual		

Peristaltic detergent doser	Yes, manual
Peristaltic detergent doser	Yes, manual

Accessories Included

Dish basket	PB50D01
Cutlery basket	PHOOS02
Flat basket	1x PB50G02

Water supply pipe	In acciaio Watermark
Drain pipe	Yes - 2m



Not included accessories



WT5700SR

Entry table right side 700mm



WTX51200

Exit table both sides 1200mm



WT51200SR

Entry table right side 1200mm

WB50PG5

Wire basket for no. 25 plastic glasses with flat bottom, 500x500x260 mm



PHOOS03

Basket in polypropylene with 6 compartments for cutlery for Capote



WT5700SL

Entry table left side 700mm



WT51200SHL

Entry table left side 1200mm



WH00S01

Wire insert for 12 small dishes



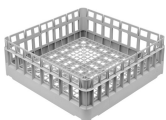
PHOOS01

Single basket in polypropylene for cutlery



WTX5700R

Exit table right side 700mm



PB50G02

Universal basket in polypropylene 500x500



WB50T02

Wire basket for 5 trays 600x500



WTX51200L

Exit table left side 1200mm



WT51200SHR

Entry table right side 1200mm



WB50G01

Universal wire basket with flat bottom 500x500



WT51200SL

Entry table left side 1200mm



PB50D01

Basket made of polypropylene for 18 plates 500x500



WB50G02

Wire basket for glasses with inclined bottom 500x500



WTX51200R

Exit table right side 1200mm



WB50G04

Wire basket for glasses with inclined bottom 500x500



WTX5700

Exit table both sides 700mm



PHOOS02

Basket in polypropylene for cutlery with 6 compartments



WB50D01

Wire basket for 18 dishes and trays 500x500



WB50G03

Wire basket for glasses with inclined bottom 500x500



WTX5700L

Exit table left side 700mm

Symbols glossary (TT)



...



...



...



...



5 STAGE FILTER