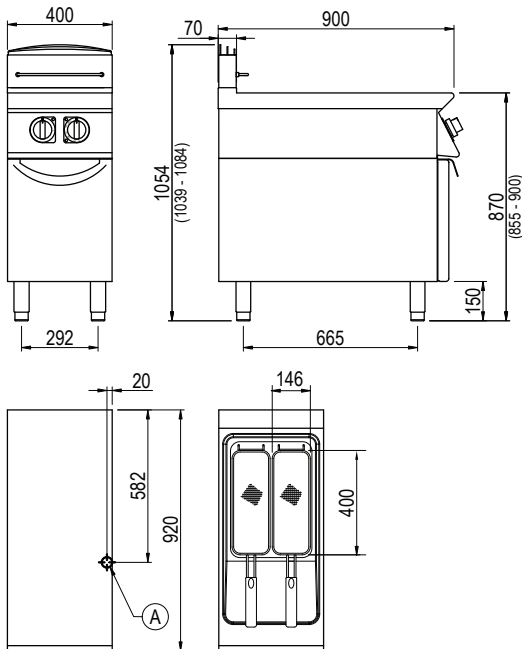




**Product Information:**

- Class leading, European style, professional quality and reliability since 1963
- 900 series, electric 21 litre, single pan fryer (21kW)
- Immersed heating elements with Hi-limit temperature protection and manual reset. Rotating mechanism to facilitate easy cleaning inside the tank.
- Temperature regulation via thermostat (100°C – 195°C)
- Thermostat bulbs protected against accidental impact
- Cold zone on the bottom of the tank to collect residues and prevent tainting of oil
- 310x444mm single tank with oil drainage via ball valve into integrated oil capture drawer
- Indicator lights to monitor the correct operation of the appliance
- Robust 304 grade stainless steel construction with rounded corners for improved cleaning
- Pressed top work surface with raised edges to protect from overflow
- Enclosed base with front access door
- Height adjustable stainless steel feet for a 900mm working height
- Supplied with removable mesh basket support, 2x 146x400x120mm baskets and lid
- Additional baskets sold separately (see below)
- 24-month warranty

**General Drawing:**



Due to continuous product research and development, the information contained herein is subject to change without notice.

Revision: 01 - 15/11/2021 - A

[www.stoddart.com.au](http://www.stoddart.com.au)  
[www.stoddart.co.nz](http://www.stoddart.co.nz)

**Specifications:**

<b>Model</b>	FE9121T
<b>W x D x H (mm)</b>	400 x 920 x 1054
<b>Weight</b>	78kg
<b>Oil Capacity</b>	21L
<b>Packed Dimensions (mm)</b>	450 x 1025 x 1200
<b>Packed Weight (mm)</b>	85kg
<b>Electrical Connection</b>	3Ø + N + E 415VAC / 50Hz / 21kW

**Legend:**

A Electrical Connection

