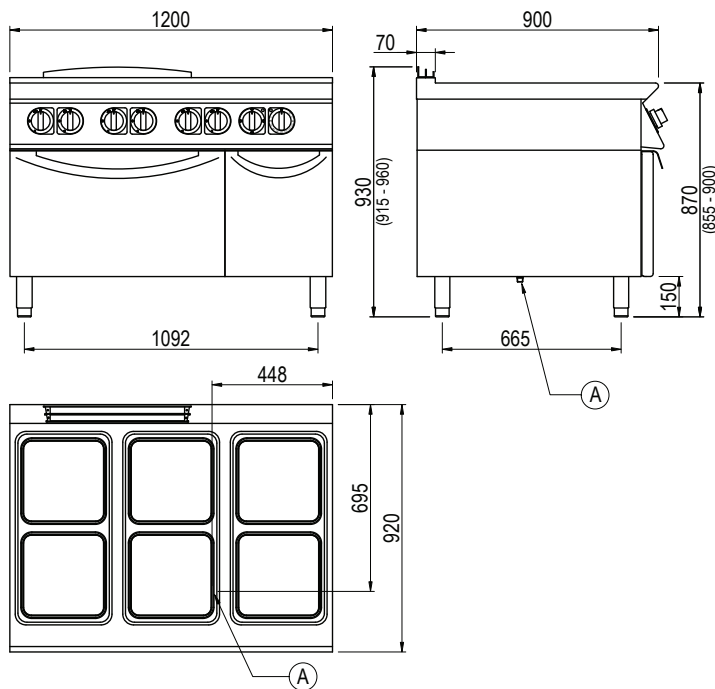




Product Information:

- Class leading, European style, professional quality and reliability since 1963
- 900 series, electric boiling top with square hot plates (6 x 4.3kW), standard electric 2/1GN oven (6.7kW) and storage compartment
- Hot plate temperature regulation via 6 position selector with safety thermostat and automatic reset
- Independently regulated top and bottom oven heating via 4 position selector and safety thermostat
- Oven temperature regulation via mechanical thermostat (50°C - 300°C)
- Indicator lights to monitor the correct operation of the appliance
- Robust 304 grade stainless steel construction with rounded corners and moulded inner door for improved cleaning
- Hermetically sealed, pressed work surface with raised edges to protect from overflow Height adjustable stainless steel feet for a 900mm working height
- 24-month warranty

General Drawing:



Specifications:

Model	CE96QET
W x D x H (mm)	1200 x 920 x 930
Weight	160kg
Oven Cavity W x D x H (mm)	680 x 573 x 300
Square Hot Plates	6 x (300x300mm)
Packed Dimensions (mm)	1250 x 1025 x 1200
Packed Weight (mm)	177kg
Electrical Connection	3Ø + N + E 415VAC / 50Hz / 32.5kW

Legend:

A Electrical Connection

