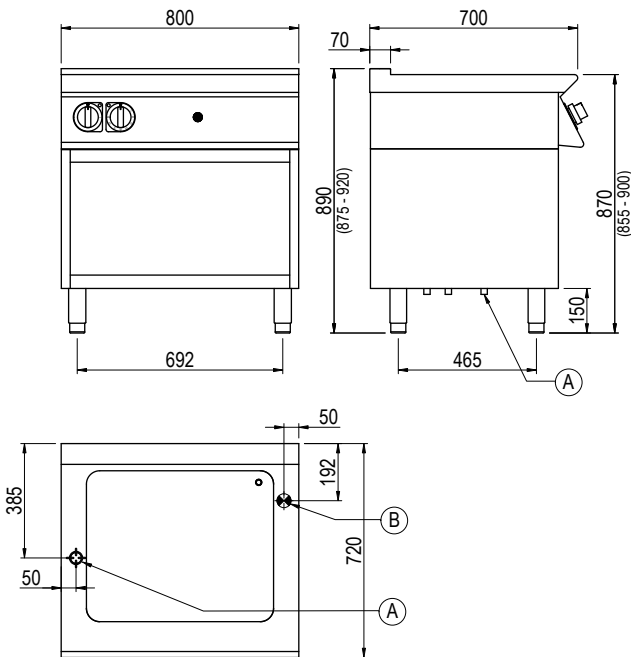




**Product Information:**

- Class leading, European style, professional quality and reliability since 1963
- 700 series, electric 2/1 GN Bain Marie (2.4kW)
- Silicone heating pad external to the tank provides uniform heating, superior hygiene and ease of cleaning
- Temperature regulation via thermostat (30°C - 90°C)
- Indicator lights to monitor the correct operation of the appliance
- Manual water fill with tank sloped to lever operated drain
- Robust 304 grade stainless steel construction with rounded corners for improved cleaning
- Open base with optional doors available (SPGI.2016437)
- Height adjustable stainless steel feet for a 900mm working height
- 24-month warranty

**General Drawing:**



**Specifications:**

|                               |   |
|-------------------------------|---|
| <b>Model</b>                  | BM740ET   |
| <b>W x D x H (mm)</b>         | 800 x 720 x 890   |
| <b>Weight</b>                 | 90kg  |
| <b>Capacity</b>               | 1 x 2/1 150mm GN Pans   |
| <b>Packed Dimensions (mm)</b> | 845 x 825 x 1200  |
| <b>Packed Weight</b>          | 100kg   |
| <b>Electrical Connection</b>  | 1Ø + N + E<br>240VAC / 50Hz / 2.4kW<br>10A plug & lead fitted |

**Legend:**

- A** Electrical Connection
- B** Drain Connection 1/2" BSP

Due to continuous product research and development, the information contained herein is subject to change without notice.

Revision: A - 08/09/2023 - 02

[www.stoddart.com.au](http://www.stoddart.com.au)

[www.stoddart.co.nz](http://www.stoddart.co.nz)

