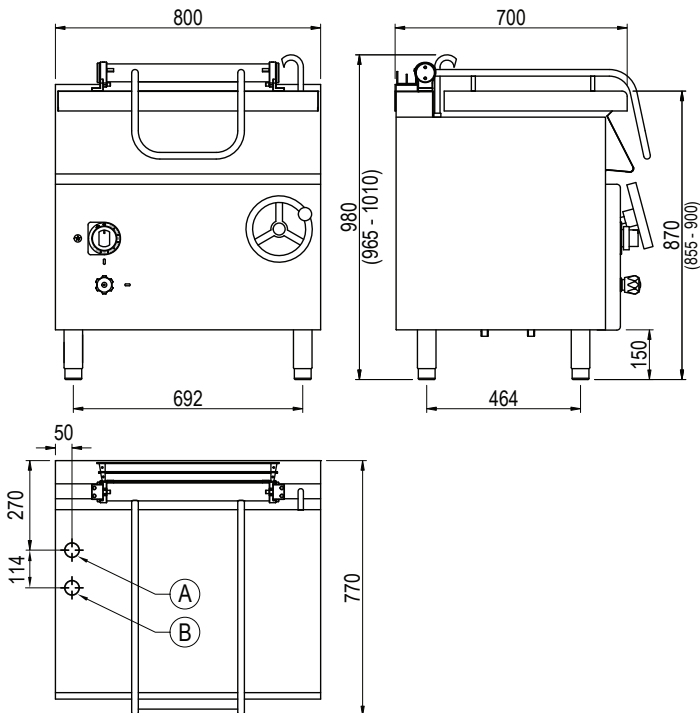




Product Information:

- Class leading, European style, professional quality and reliability since 1963
- 700 series, high performance gas bratt pan with 50 litre capacity and manual tilting pan (43.2 MJ/h)
- Duplex 2304 10mm thick stainless steel base for superior heat transfer, strength and corrosion resistance
- Piezo ignition tubular burners with flame failure device and pilot burner complete with HI-limit temperature protection
- Temperature regulation via thermostat (50°C - 300°C)
- Heating shut-off via micro-switch when the pan is tilted
- Water fill via integrated valve and spout
- Double skinned, counterbalanced lid with rear condensation channel
- Robust 304 grade stainless steel construction with rounded corners for improved cleaning
- Height adjustable stainless steel feet for a 900mm working height
- 24-month warranty

General Drawing:



Specifications:

Model	BG74XMT	
W x D x H (mm)	800 x 770 x 980	
Weight	160kg	
Capacity	50L	
Packed Dimensions (mm)	845 x 825 x 1200	
Packed Weight (mm)	170kg	
Gas Connection	Natural 1/2" BSP	Universal LPG 1/2" BSP
Minimum Normal Test Gas Pressure	1.3 kPa	2.75 kPa
Maximum Normal Test Gas Pressure	3.5 kPa	3.5 kPa
Nominal Test Point Pressure	1.0 kPa	2.65 kPa
Total Nominal Gas Consumption	43.2 MJ/h	43.2 MJ/h

Note: It is the responsibility of the installing gas plumber to ensure correct supply and connection sustaining appropriate pressure, when all installed gas appliances are operating at maximum.

Legend:

- A** Gas Connection
- B** Water Connection 1/2" BSP