

# ALFA625H-2

<b>Family</b>	Ovens
<b>Subfamily</b>	Convection oven 6 trays en 600x400 mm or GN1/1
<b>Oven type</b>	Fan with humidification
<b>Oven control</b>	Mechanical
<b>Trays capacity</b>	6 trays 600x400 mm - GN1/1
<b>Power supply</b>	400 V 3N~ / 16 A / 10,5 kW / 50-60 Hz
<b>Steam generation</b>	Direct
<b>WiFi connection</b>	Not available
<b>Maximum depth with open door</b>	1521 mm
<b>Adjustable feet</b>	Yes
<b>Net weight</b>	76,000 kg
<b>Product dimensions WxDxH</b>	798x757x793 mm



## Distribution

<b>Solutions</b>	Bars/Cafes; Hotels; Restaurants/Catering; Bakery/Pastry making; Industrial pastry&bakery laboratories; Butcher's shops	<b>Suggested for</b>	Bars/Cafes
------------------	--	----------------------	------------

## Aesthetics

<b>Colour</b>	Stainless steel	<b>Front panel</b>	Yes
<b>Door with stainless steel stripes</b>	Yes	<b>Logo</b>	Smeg printed

## Controls

<b>Timer setting range</b>	1-60 minutes + endless	<b>Chimney regulation</b>	Manual
----------------------------	------------------------	---------------------------	--------

## Programs / Functions

### Backing functions



Fan forced



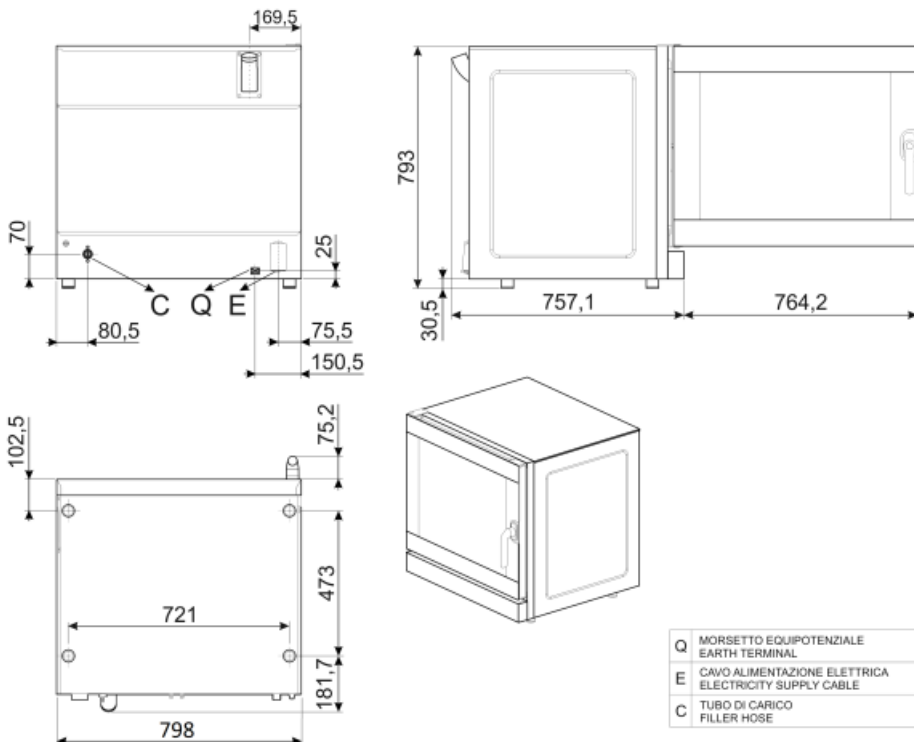
Fan forced with humidification

## Options

Right hand hinge	ALFA625HR-2	Solutions	K4610X
Right hand hinge	ALFA1035EHDSR		

## Construction

Oven materials	Ever Clean enamel	Water injection on each fan	Yes
Cavity dimensions (lxdxh)	672x437x546mm	Humidification levels	Manual
Gross volume	460x360x425mm	Exhaust position	Back
Net volume	460x360x425mm	Timer type	Electromechanical timer
Internal net volume	460x360x425mm	Temperature range	50-270°C
Cavity material	Stainless steel	End cooking signal	Yes
Shelves number	6	Orange light indicator t° achievement	Yes
Tray frame support	Chrome	Green light indicator t° achievement	Yes
Shelves distance	77 mm	Manual reset safety thermostat	Yes
Door construction	Double glass	Removable deflector	Yes
Door opening	Lateral	Lighting	2 LED lamps
Handle type	New ergonomics	Light power	40 W
Openable glass	Openable	Water load pipe	Yes
Fan type and number	2 contrarotating fans with time direction reversal	Power cable length	170 cm
Engine speed	Ever Clean enamel	Back panel	Galvanized
Engine speed	Single speed	IPX protection	Scheduled start H/12
Max standard speed motor rpm	2		



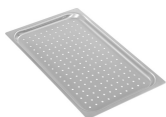
## Not included accessories



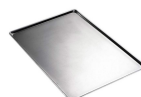
**3805**  
Flat chrome-plated wire grid



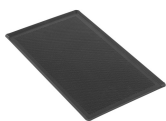
**3927**  
Air flow reducer kit



**TF11XH2**  
Perforated aluminium GN1/1 tray for Galileo professional



**3743**  
Flat aluminium tray



**TMF11TH2**  
GN 1/1 non-sticking microperforated tray

**SVRPP625**  
Conjunction kit for 2 ovens series 625/420 and hood



**T11XH20**  
2cm height aluminium GN1/1 tray for Galileo professional



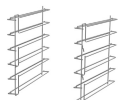
**SVRPP420-625**  
Connector kit for two stacked ALFA420+420 or ALFA420+625 models and hood



**T11XH65**  
6,5cm height aluminium GN1/1 tray for Galileo professional



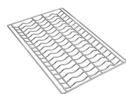
**T11TH20**  
2cm height GN1/1 non-stick tray for Galileo professional



**RGN11-625-2**



**3751**  
Flat perforated aluminium tray



**3810**  
Corrugated grid for baguettes



**T8S11T**  
8 holes GN 1/1 non-sticking tray for Galileo professional



**T11TH40**  
4cm height GN1/1 non-stick tray for Galileo professional

## Symbols glossary (TT)

---

