

# ALFA43XAU

Family	Ovens
Subfamily	Convection oven 4 trays 435x320 mm
Oven type	One function
Oven control	Mechanical
Trays capacity	4 trays 435x320 mm
Power supply	230 V~ / 10 A / 2,2 kW / 50 Hz
WiFi connection	Not available
Maximum depth with open door	993 mm
Adjustable feet	Yes
Net weight	32,800 kg
Product dimensions WxDxH	602x580x537 mm



## Distribution

Solutions	Bars/Cafes; Hotels; Restaurants/Catering; Bakery/Pastry making; Industrial pastry&bakery laboratories; Butcher's shops; QSR
-----------	--

## Aesthetics

Colour	Stainless steel	Front panel	Yes
Door with stainless steel stripes	Yes	Logo	Smeg printed

## Controls

Timer setting range	1-60 minutes + endless
---------------------	------------------------

## Programs / Functions

### Backing functions



## Options

<b>Other versions</b>	ALFA43X; ALFA43UK versione con spina inglese; ALFA43K versione a 60Hz; ALFA43KSA versione a 60Hz con spina inglese	<b>Solutions</b>	Restaurants/Catering
-----------------------	--	------------------	----------------------

## Accessories Included

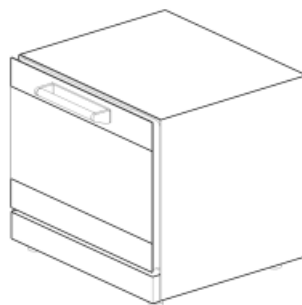
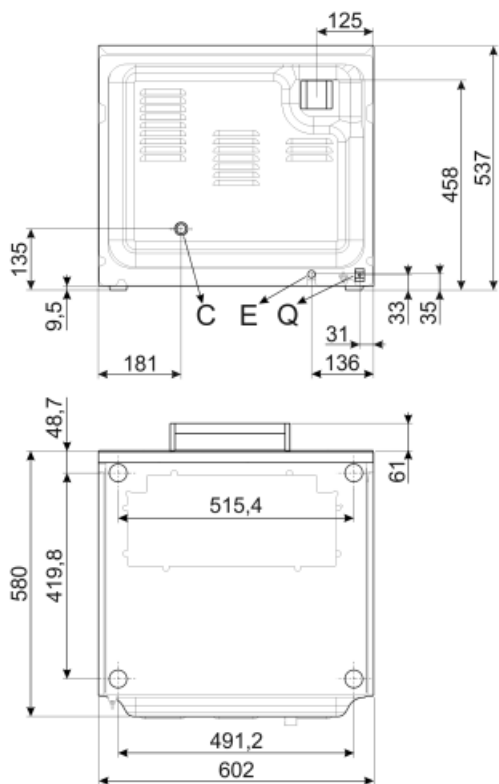
<b>Aluminized tray 3820</b>	kit of 4 pieces
-----------------------------	-----------------

## Electrical Connection

<b>Plug</b>	(F;E) Schuko
-------------	--------------

## Construction

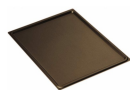
<b>Oven materials</b>	Ever Clean enamel	<b>Max standard speed motor rpm</b>	2700 rpm
<b>Cavity dimensions (lxdxh)</b>	460x360x425mm	<b>Exhaust position</b>	Back
<b>Internal net volume</b>	54,5 lt	<b>Timer type</b>	Electromechanical timer
<b>Cavity material</b>	Ever Clean enamel	<b>Temperature range</b>	50-250°C
<b>Shelves number</b>	4	<b>End cooking signal</b>	Yes
<b>Tray frame support</b>	Chrome	<b>Orange light indicator t° achievement</b>	Yes
<b>Shelves distance</b>	80 mm	<b>Green light indicator t° achievement</b>	Yes
<b>Door construction</b>	Double glass	<b>Manual reset safety thermostat</b>	Yes
<b>Door opening</b>	Tilting	<b>Removable deflector</b>	Yes
<b>Handle type</b>	Smeg	<b>Lighting</b>	1 Halogen lamp
<b>Openable glass</b>	Removable	<b>Light power</b>	40 W
<b>Fan type and number</b>	1	<b>Power cable length</b>	115 cm
<b>Engine speed</b>	2	<b>Back panel</b>	Galvanized
<b>Engine speed</b>	Single speed	<b>IPX protection</b>	Scheduled start H/12



Q	MORSETTO EQUIPOTENZIALE EARTH TERMINAL
E	CAVO ALIMENTAZIONE ELETTRICA ELECTRICITY SUPPLY CABLE
C	TUBO DI CARICO (solo su alcuni modelli) FILLER HOSE (on some models only)

## Not included accessories

---



**3780**  
Flat non-stick trays



**3755**  
Flat perforated aluminium tray



**3926**  
Air flow reducer kit

## Symbols glossary (TT)

---



...