

ALFA43X

Family	Ovens
Subfamily	Convection oven 4 trays 435x320 mm
Oven type	One function
Oven control	Mechanical
Trays capacity	4 trays 435x320 mm
Power supply	230 V~ / 13 A / 3,0 kW / 50 Hz
Maximum depth with open door	993 mm
Adjustable feet	Yes
Net weight	32,800 kg
Product dimensions WxDxH	602x580x537 mm



Distribution

Solutions	Bars/Cafes; Hotels; Restaurants/Catering; Bakery/Pastry making; Industrial pastry&bakery laboratories; Butcher's shops; QSR
------------------	--

Aesthetics

Colour	Stainless steel	Front panel	Yes
Door with stainless steel stripes	Yes	Logo	Smeg printed

Controls

Timer setting range	1-60 minutes + endless
----------------------------	------------------------

Programs / Functions

Backing functions



Options

Other versions	ALFA43UK versione con spina inglese; ALFA43K versione a 60Hz; ALFA43KSA versione a 60Hz con spina inglese	Solutions	Restaurants/Catering
-----------------------	---	------------------	----------------------

Accessories Included

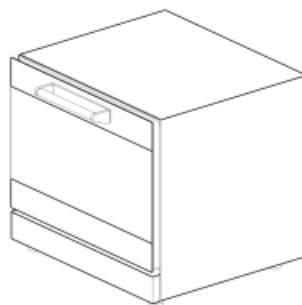
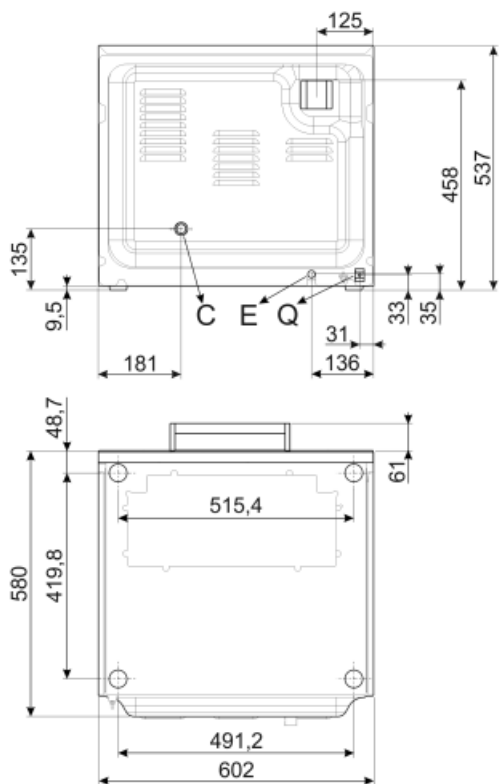
Aluminized tray 3820	kit of 4 pieces
-----------------------------	-----------------

Electrical Connection

Plug	(F;E) Schuko
-------------	--------------

Construction

Oven materials	Ever Clean enamel	Max standard speed motor rpm	2700 rpm
Cavity dimensions (lxdxh)	460x360x425mm	Exhaust position	Back
Internal net volume	54,5 lt	Timer type	Electromechanical timer
Cavity material	Ever Clean enamel	Temperature range	50-250°C
Shelves number	4	End cooking signal	Yes
Tray frame support	Chrome	Orange light indicator t° achievement	Yes
Shelves distance	80 mm	Green light indicator t° achievement	Yes
Door construction	Double glass	Manual reset safety thermostat	Yes
Door opening	Tilting	Removable deflector	Yes
Handle type	Smeg	Lighting	1 Halogen lamp
Openable glass	Removable	Light power	40 W
Fan type and number	1	Power cable length	115 cm
Engine speed	2	Back panel	Galvanized
Engine speed	Single speed	IPX protection	Scheduled start H/12

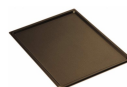


Q	MORSETTO EQUIPOTENZIALE EARTH TERMINAL
E	CAVO ALIMENTAZIONE ELETTRICA ELECTRICITY SUPPLY CABLE
C	TUBO DI CARICO (solo su alcuni modelli) FILLER HOSE (on some models only)

Not included accessories



4730
External tank kit 5 lt.



3780
Flat non-stick trays



3755
Flat perforated aluminium tray



3926
Air flow reducer kit

Symbols glossary (TT)



...