

23kg INDUSTRIAL DRYER



ADG50i

WHY PURCHASE ADC i-SERIES DRYERS?

For over half a century ADC has been in pursuit of creating the perfect dryer and supplying those industrial dyers to over 90 countries worldwide. As part of the Maytag Commercial family, ADC Dryers are proudly American built and committed to designing the ultimate drying machine. The All-New Intelligent Dryer series continues the legacy of cutting-edge technology with unsurpassed reliability for your peace of mind.

Performance

Through innovative design, the i-Series dryers achieve higher performance, industry-leading efficiency, shorter dry times and safer, more reliable operation.

What an owner wants, an owner gets: saving money on utilities and maintenance. Anyone can say their dryers have the best performance, the Intelligent Dryer Series has the features to prove it.

Reliability

We know you require more than just outstanding performance in the toughest laundry environments. To accommodate this, ADC engineered the i-Series with years of reliable operation as an absolute design necessity and backed it by the best warranty in the industry. A sturdy steel welded cabinet, fewer moving parts and top-quality components are the foundation of these i-Series dryers. Costly repairs and unwanted downtime will become a thing of the past.

ADi FEATURES

- Variable drum speed with simplified inverter drive system for when reliability is key
- Pre-heat system and trans-axial airflow for maximum efficiency and fastest possible dry times
- Fully insulated cabinet to keep heat inside your dryer and out of your laundry room
- Gravity self-cleaning lint screen for easier maintenance on site
- Two-point roller support
- Single-phase reversing basket prevents your linens from tangling and ensures easy installation
- Stainless steel basket and fronts give you the sharpest aesthetic and most durable product
- SAFE fire suppression for your peace of mind.
- Simple IMC intelligent controls with one-touch cycle selection
- **Unbeatable 5 Year warranty – all parts covered**
- Available in Natural Gas, LPG or Electric operation

Order your new AD Industrial dryer as:

- Non-Coin Operation
- Coin or Token Operation
- Card Only Operation



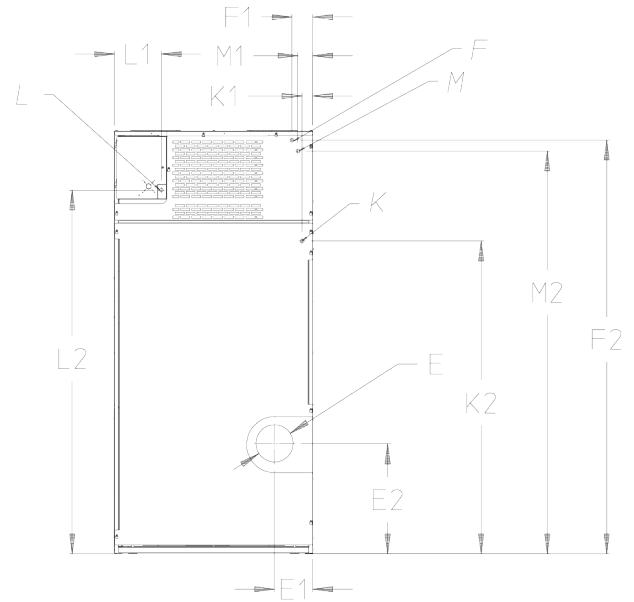
ADG50i COIN DRYER PICTURED

23kg INDUSTRIAL DRYER

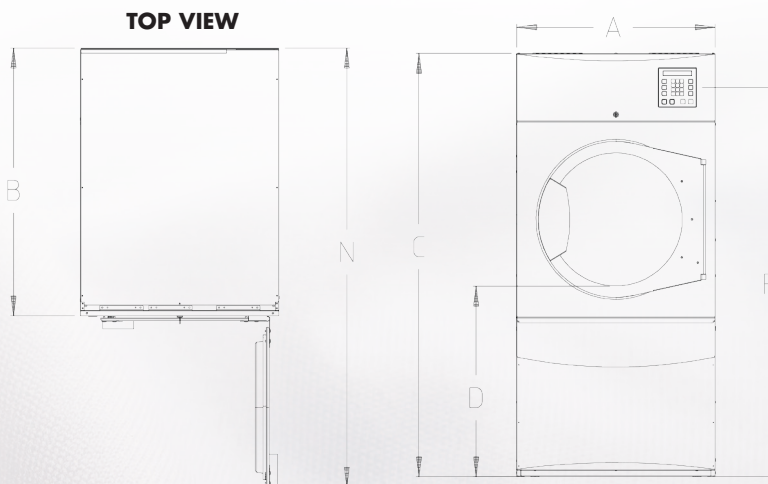


ADG50i

SPECIFICATIONS ADG50i		
Maximum Capacity (dry weight)	23 kg	
Tumbler Diameter	83.18 cm	
Tumbler Depth	95.25 cm	
Tumbler Volume	518.19 L	
Tumbler/Drive Motor	0.75 kW	
Blower/Fan Motor*	0.56 kW	
Cabinet Width	87.63 cm	
Cabinet Depth	125.41 cm	
Cabinet Height	187.10 cm	
Door Opening (diameter)	68.58 cm	
Door Sill Height	74 cm	
Water Connection	3/4" B.S.P.T.	
GAS	Voltage	240V Single Phase 50Hz 10Amp
	Approximate Net Weight	300 kg
	Approximate Shipping Weight	330 kg
	Airflow	22.93 cmm
	Heat Input	31,500 kcal/hr
	Exhaust Connection (diameter)	20.32 cm - 8"
	Inlet Pipe Connection	1/2" B.S.P.T. (Female)

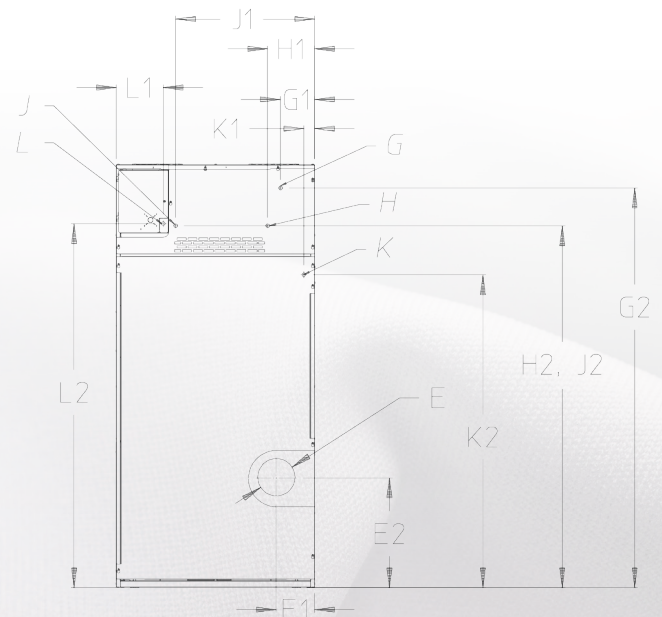


REAR VIEW



TOP VIEW

FRONT VIEW



REAR VIEW

DIMENSIONS (All dimensions in cm)

E1	E2	F1	F2	G1	G2	H1	H2	J1	J2	K1	K2	L1	L2	M1	M2	N	P
14	47	12	179	25	177	25	158	-	-	4	146	19	157	9	176	208	167

NOTE: The manufacturer reserves the right to make changes in specifications at any time, without notice or obligation.