

13.6kg FRONT-LOAD STACK DRYER



AD-30x2Ri

WHY PURCHASE ADC i-SERIES DRYERS?

For over half a century ADC has been in pursuit of creating the perfect dryer and supplying those industrial dyers to over 90 countries worldwide. As part of the Maytag Commercial family, ADC Dryers are proudly American built and committed to designing the ultimate drying machine. The All-New Intelligent Dryer series continues the legacy of cutting-edge technology with unsurpassed reliability for your peace of mind.

Performance

Through innovative design, the i-Series dryers achieve higher performance, industry-leading efficiency, shorter dry times and safer, more reliable operation.

What an owner wants, an owner gets: saving money on utilities and maintenance. Anyone can say their dryers have the best performance, the Intelligent Dryer Series has the features to prove it.

Reliability

We know you require more than just outstanding performance in the toughest laundry environments. To accommodate this, ADC engineered the i-Series with years of reliable operation as an absolute design necessity and backed it by the best warranty in the industry. A sturdy steel welded cabinet, fewer moving parts and top-quality components are the foundation of these i-Series dryers. Costly repairs and unwanted downtime will become a thing of the past.

ADi FEATURES

- 2 drying pockets in the floor space of just one!
- Trans-axial airflow for maximum efficiency and fastest possible dry times
- Two-point roller support
- Single-phase reversing basket prevents your linens from tangling and ensures easy installation
- Stainless steel basket and fronts give you the sharpest aesthetic and most durable product
- SAFE fire suppression for your peace of mind.
- Simple IMC intelligent controls with one-touch cycle selection
- **Unbeatable 5 Year warranty – all parts covered**
- Available in Natural Gas, LPG or Electric operation

Order your new AD Industrial dryer as:

- Non-Coin Operation
- Coin or Token Operation
- Card Only Operation



AD-30x2Ri FRONT LOAD STACK DRYER PICTURED

13.6kg FRONT-LOAD STACK DRYER

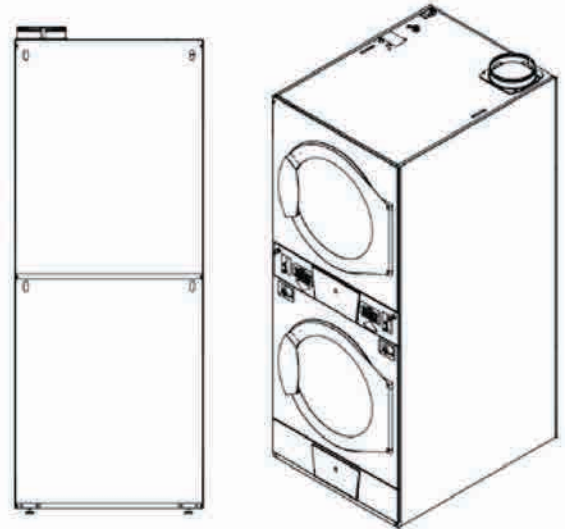


AD-30x2Ri

SPECIFICATIONS

Maximum Capacity (dry weight) Per Pocket	13.6 kg	
Tumbler Diameter	76.2 cm	
Tumbler Depth	68.5 cm	
Tumbler Volume Per Pocket	311.5 L	
Tumbler/Drive Motor Per Pocket	0.19 kW	
Blower/Fan Motor Per Pocket	0.37 kW	
Door Opening (diameter)	54.6 cm	
Door Sill Height Top Pocket / Bottom Pocket	131.4 cm / 33.3 cm	
GAS	Voltage Available	240 Single Phase 50Hz 10Amp
	Approximate Net Weight	240 kg
	Approximate Shipping Weight	250 kg
	Airflow Per Pocket	50Hz 12.74 cmm
	Heat Input Per Pocket	18,144 kcal/hr
	Exhaust Connection (diameter) Per Dryer	20.37 cm
Inlet Pipe Connection Per Dryer	1/2" B.S.P.T.	

REAR VIEW



FRONT VIEW

