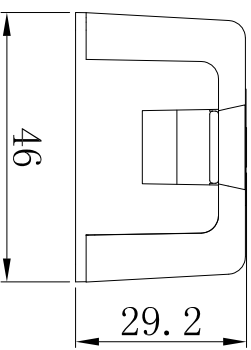
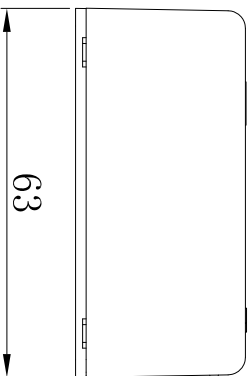
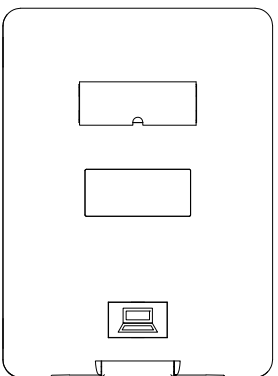
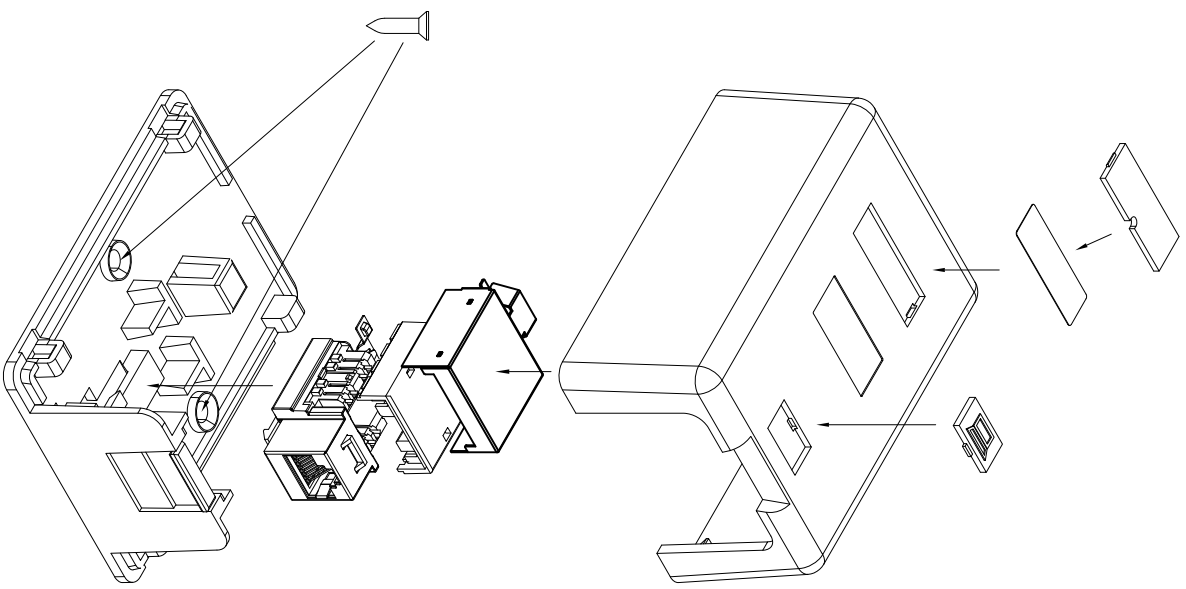


DATE	REV	DESCRIPTION	DRAFTING	CHECKED
A/0		NEW		



SPECIFICATION

1. Mounted Box material: ABS UL94V-0,White Color.
2. Housing material: Self-extinguished plastic UL 94V-0. Insert material: PC UL 94V-0 rated. Color:White,Ivory.
3. IDC Housing: Self-extinguished plastic UL 94V-0. IDC Terminal: Phosphor Bronze, nickel plated 50-60 micro-inch.
4. P.C.B: FR4.
5. Certifications: UL listed;ANSI/TTA-568-C.2 ;FCC.
6. Supports: T568A & T568B wiring compatible with Category 6A requirement.

Color Coding Information

IDC terminal	color code	IDC terminal	color code
PIN 5	WHITE/BLUE	PIN 5	WHITE/BLUE
PIN 4	BLUE	PIN 4	BLUE
PIN 1	WHITE/ORANGE	PIN 1	WHITE/GREEN
PIN 2	ORANGE	PIN 2	GREEN
PIN 3	WHITE/GREEN	PIN 3	WHITE/ORANGE
PIN 6	GREEN	PIN 6	ORANGE
PIN 7	WHITE/BROWN	PIN 7	WHITE/BROWN
PIN 8	BROWN	PIN 8	BROWN

Unless specified on the drawing, tolerances as per the follows:

X.	±1.0
.X	±0.5
.XX	±0.3

PRIME
PRIME WIRE & CABLE, INC

Single port surface mount box w/o keystone jack

DRAW. NO	ITEM	DATE	
DEPARTMENT	DRAW	DATE	
SCALE	APPROVED	DATE	
UNIT	SHEET	1 OF 1	

Material	ABS	Color	Ivory
Part Number	MB01019118	Color	White

Note

3RD	
-----	--

J 1 2 3 4 5 6 7 8 9 10 11 12 13