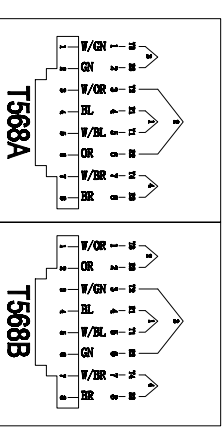
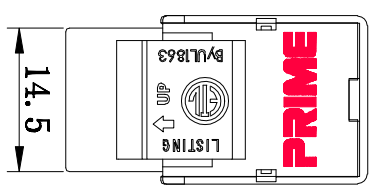
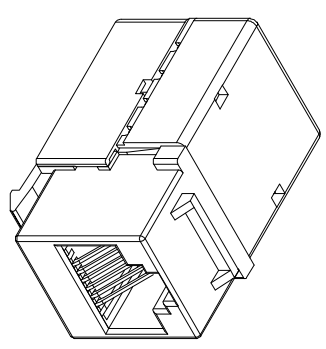
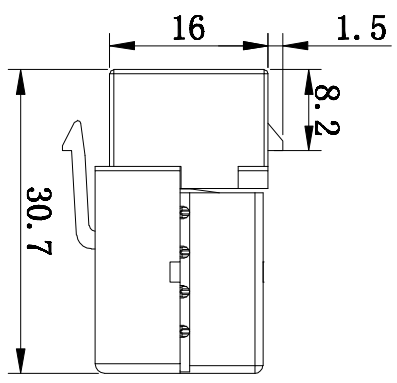
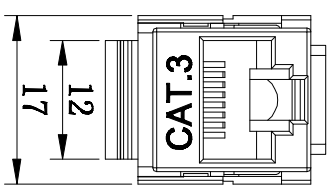


DATE	REV	DESCRIPTION	DRAFTING	CHECKED
2012/8/20	A/0	NEW	Jiang	



PIN/PAIR ASSIGNMENTS

SPECIFICATION

1. Housing material: Self-extinguished plastic UL 94V-0. Insert material: PC UL 94V-0 rated. Contact finished: 50 micro-inch gold over, Nickel 40 micro-inch. Color: White, Ivory, Blue
2. IDC Housing: Self-extinguished plastic UL 94V-0. IDC Terminal: Phosphor Bronze, nickel plated 50-60 micro-inch.
3. P.C.Board: FR4, 1.6mm.
4. Operation Temperature: -10° C to 60° C.
5. Insertion Force: 900gms for 6 contacts.
6. Retention Strength: 7.7 kgs between jack and plug.
7. Durability: 750 Cycles contact resistance test check every 100 Cycles. Insertion cycles at 20 cycles/minute max.
8. Certifications: FCC, ANSIT/A-568-C2

ELECTRICAL

1. Current rating: 1.5 Amps
2. Insulation resistance: 500 MOhm
3. Contact resistance: 20 mOhm
4. DC resistance: 0.1 Ohm
5. Dielectric withstanding voltage: 1000 V

Unless specified on the drawing, tolerances are per the follows:

X.	±1.00	X°	±5
.X	±0.50	.X°	±1
.XX	±0.30		

PRIME
PRIME WIRE & CABLE, INC

DRAW. NO	ITEM	Cat. 3 Rnd. 90° Unshielded Keystone Jack 110 type	
DEPARTMENT	WRD71	DRAW	Jiang
SCALE	1:1	APPROVED	DATE
UNIT	mm	SHEET	1 OF 1

Material

EC000026	Blue
EC000026	White
Part Number	Color

Note

3RD		
-----	--	--

