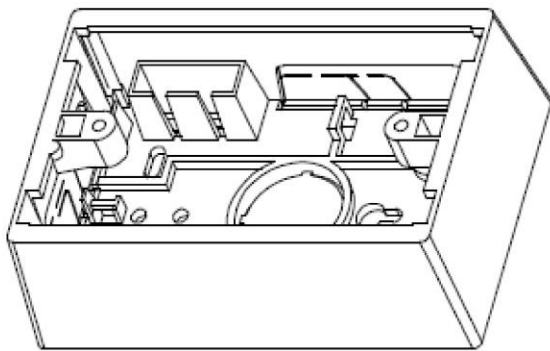
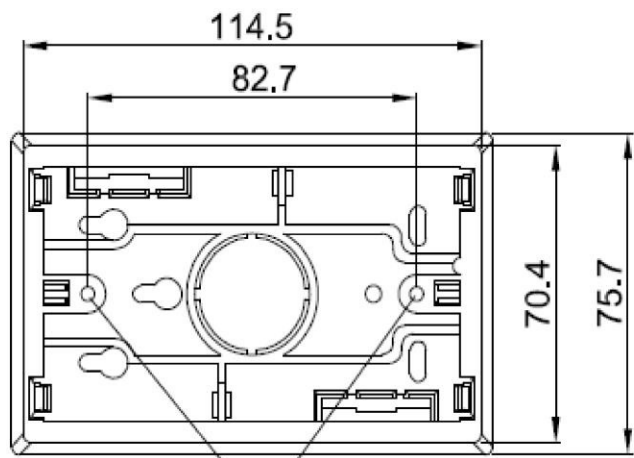
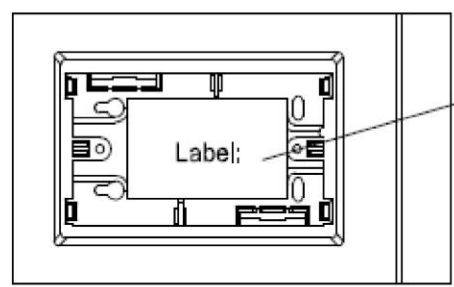


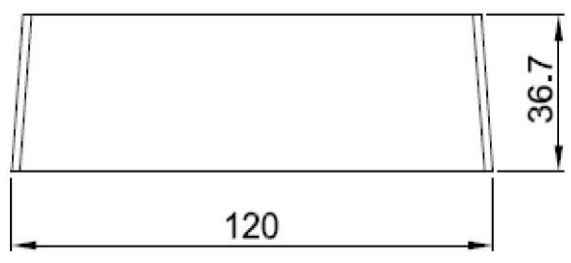
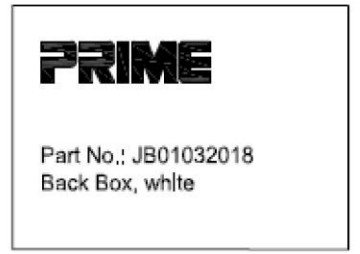
DATE	REV.	REVISION	DRAFTING	CHECKED
2019.05.11	A/0	NEW	JHY	



No.6-32UNC



Label:



**PRIME**®

**SPECIFICATION:**  
 1. Material: PC+ABS.  
 2. Color: White.

Unless specified on the drawing, tolerances are per the follows:

X.	±0.30	X*	±3
.X	±0.20	.X*	±0.3
.XX	±0.10		

DRAW. NO	GFZD-S190064	TITLE	Back Box		
CUSTOMER					
CUST' R P/N		DRAW	JHY	DATE	2019.05.11
SCALE	1 : 1	CHECK		DATE	2019.05.11
UNIT	mm	APPROVED		SHEET	1 OF 1

Material		Part Number	JB01032018	Note	<input checked="" type="checkbox"/> RoHS	<input type="checkbox"/> Reach	<input type="checkbox"/> GP	<input type="checkbox"/> HF	<input type="checkbox"/> Other	RD		
----------	--	-------------	------------	------	--	--------------------------------	-----------------------------	-----------------------------	--------------------------------	----	--	--