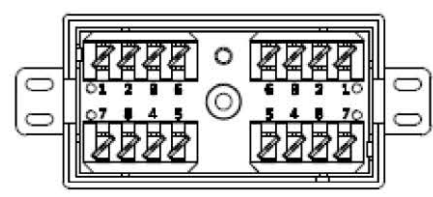
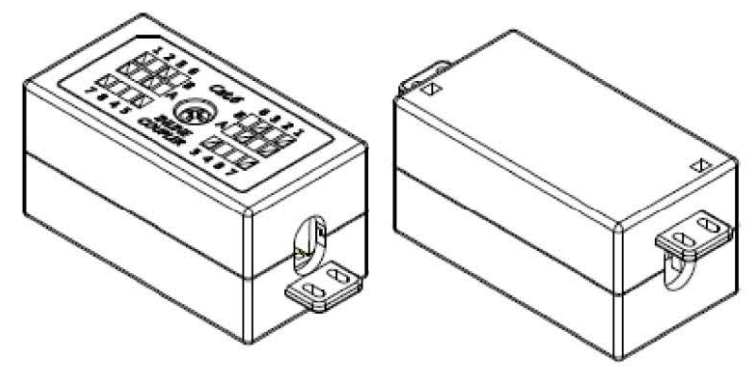
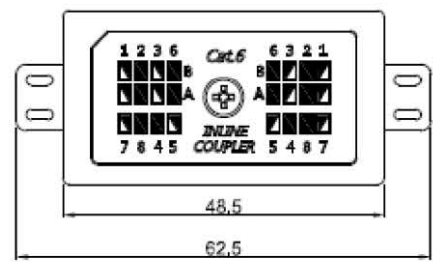
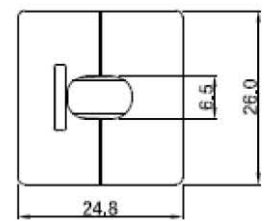
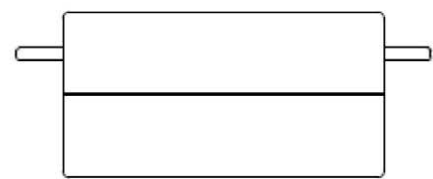


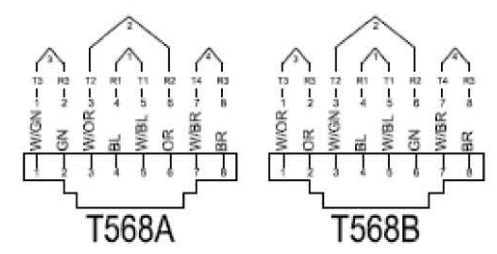
DATE	REV.	REVISION	DRAFTING	CHECKED
2019. 04. 02	A/0	NEW	JHY	YAO

A
B
C
D
E
F
G
H
J

A
B
C
D
E
F
G
H
J



PIN/PAIR ASSIGNMENTS



SPECIFICATION

- Housing: ABS,UL 94V-0 .
- IDC Plastic: PC.
- PCB: FR-4, T=1.6mm.
- IDC CONDUCTOR: 0.5mm Phosphor bronze, tin-plating .
- Operati/on Temperature : -10°C to 60°C
- Color: White.

ELECTRICAL

- Current rating: 1.5 Amps
- Insulation resistance: 500 MΩ
- DC resistance: 0.1Ω
- Dielectric withstanding voltage: 500 V



Unless specified on the drawing, tolerances are per the follows:
 X. ±0.30 X' ±3
 .X ±0.20 .X' ±0.3
 .XX ±0.10

DRAW. NO	GFZD-S190027	TITLE	Cat.6 Unshielded In-line Coupler, Block Type(Junction Box), Dual Type IDC		
CUSTOMER		DRAW	JHY	DATE	2019. 04. 02
CUST' R P/N	IC21020048	CHECK		DATE	2019. 04. 02
SCALE	1 : 1	APPROVED		SHEET	1 OF 1
UNIT	mm				

Material		Part Number		Note	<input checked="" type="checkbox"/> RoHS	<input type="checkbox"/> Reach	<input type="checkbox"/> GP	<input type="checkbox"/> HF	<input type="checkbox"/> Other	RD		
1	2	3	4	5	6	7	8	9	10	11	12	13