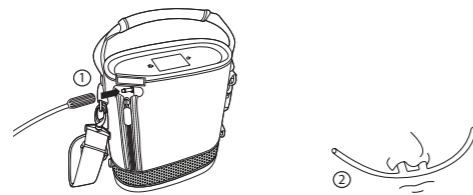




Instructions

1. Connecting a Nasal Cannula to the Oxygen Outlet.

- Connect a nasal cannula (1).
- Position the nasal cannula and breathe normally through your nose (2).



- Power on the device as described in the next section.

Note: The device works with cannula tubing up to 10 ft. (3m).

2. Turn On/Off SimplyGo Mini

- Turn the device on fully by pressing twice, within 5 seconds.

Note: The device will automatically start at the oxygen flow rate setting used when last turned off.

- Turn the device off by pressing . When a confirmation screen appears, press a second time to turn the device off.



Note: If you do not press the Power button a second time, the screen will return to the Home screen.

Settings

1. Home Screen

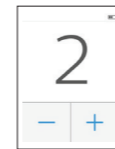
The Home screen contains the following items:

Symbols	Description
	Tools icon to access the Tools menu
2	Number symbol representing the Flow Setting
	Battery Charge Level symbol



2. Changing the Oxygen Flow Setting

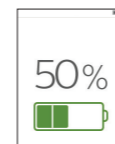
- Touch the Flow Setting number on the Home screen to access the O₂ Settings screen.
- Press the + or - buttons to increase or decrease the O₂ setting from 1 to 5 in increments of 1.



3. Checking the Battery Status

- Touch the Battery Charge Level symbol on the Home screen to access the Battery Information screen.

The battery percentage number and battery level symbol indicate the battery capacity remaining.



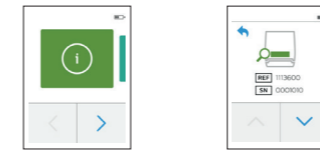
4. Accessing the Device Tools Menu

Touch on the Home screen to access the following menus: Unit Information, Brightness, Touch Screen Audio, Alarm Log, and Language Selection.

Note: Use < and > to scroll between the various menus.

Unit Information menu

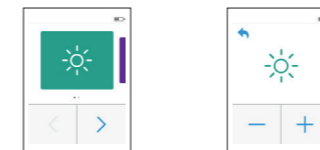
- Press the Information icon to access the Unit Information menu.
- Press **▲** and **▼** to scroll through the various information screens.



Note: Return to the previous screen by pressing .

Unit Brightness menu

- Press the Brightness icon to access the Brightness menu.
- Press + and - to scroll through the settings and choose the desired brightness.



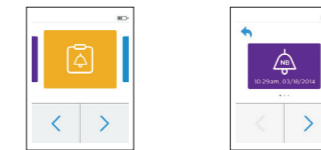
Touch Screen Audio menu

- Press the Audio icon to access the Touch Screen Audio menu.
- Select the top icon to enable the touch screen audio.
- Select the bottom icon to silence the touch screen audio.



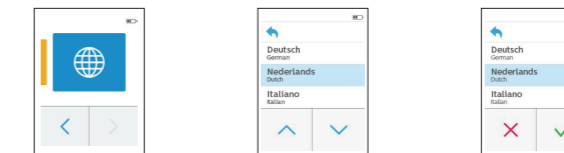
Alarm Log menu

- Press the Alarm Log icon to access the Alarm Log menu.
- Press < and > to scroll through the list of alarms in the log history.



Language Selection menu

- Press the Language Selection icon to access the Language Selection menu.
- Press **▲** and **▼** to scroll through the list of languages and choose the desired language.
- When the language is highlighted the confirmation screen appears. Select to confirm the language selection.
- Select to cancel the selection.

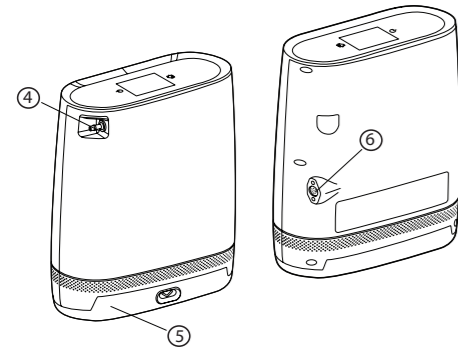
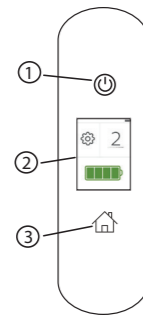


Quickstart Guide



Overview

- Power Button** Turns SimplyGo Mini on and off.
- Control Panel** Touchscreen interface to control functions. Shows information about the operating status and device settings.
- Home Button** Accesses the Home screen from any screen.
- Cannula Connector** Oxygen output and connection point for cannula.
- Rechargeable Battery** Standard or extended rechargeable battery.
- Power Input Connector** Connection point for external power supplies: AC line voltage, vehicle DC.



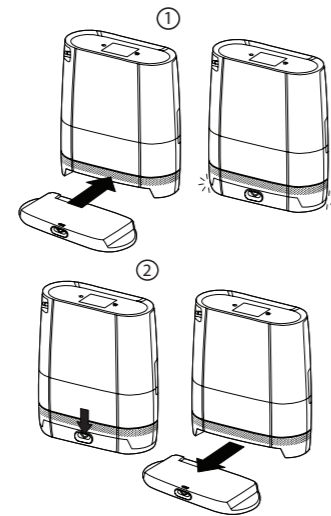
Getting Started

This guide is intended to help you get started using the SimplyGo Mini portable oxygen concentrator. If you have questions that are not answered in this guide, consult the SimplyGo Mini User Manual or contact your homecare provider.

1. Inserting the Battery into the Device.

Use a standard battery or extended battery.

- Make certain the device is turned off.
- Insert the battery into the bottom of the device (1).
- Remove the battery by pushing the eject button down at center of the battery compartment. The battery will release (2).



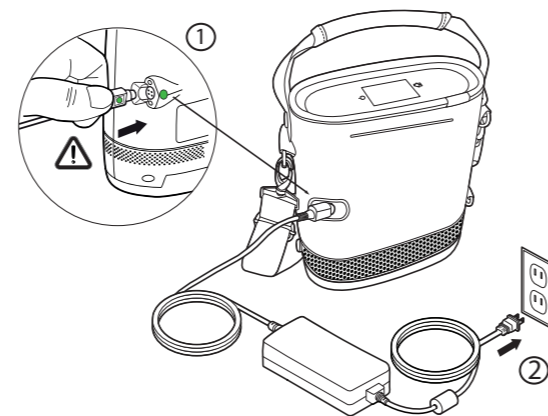
Important: The first time you charge the battery, be sure to charge it fully. Do not use the DC power cord for initial charge; instead use AC power.

2. Charging the Battery using the AC Power Supply.

Before using this device for the first time, the SimplyGo Mini batteries require an initial uninterrupted charging time.

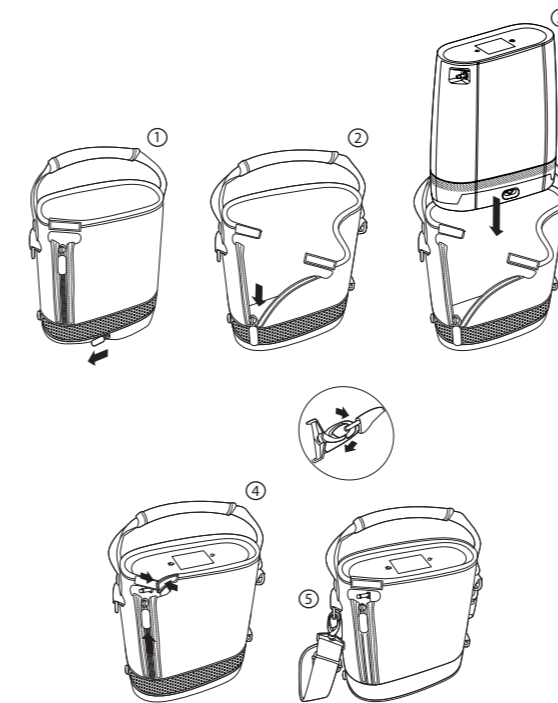
Battery	Minimum Charge
Standard	3.5 hours minimum
Extended	7 hours minimum

- Connect the AC Power Supply's output cable to the SimplyGo Mini power input connector, aligning the green dots on the power cord and device (1).
- Connect the AC Power Cord's plug into an AC outlet (2).
- Disconnect the AC Power Supply when charging is completed.



Caution: Only remove the battery when the device is turned off, and never while the device is operating.

3. Using the Carrying Case and Shoulder Strap.



My Provider

Company	_____
Address	_____

Telephone	_____
My Contact Name	_____
Mobile Phone	_____
e-mail	_____

My Prescription

Patient	_____
Physician	_____
Telephone	_____
e-mail	_____
My prescription	_____



SimplyGo Mini Portable Oxygen Concentrator Accessories

This Quickstart Guide does not apply to the following SimplyGo Mini accessory items sold separately:

- Standard Single Lumen Nasal Cannula
- SimplyGo Mini Backpack
- Battery Charger and Optional Batteries

Contact your homecare provider for more information on SimplyGo Mini accessories.