

INTRODUCTION

Thank you for purchasing a Honda engine. We want to help you to get the best results from your new engine and to operate it safely. This manual contains information on how to do that; please read it carefully before operating the engine. If a problem should arise, or if you have any questions about your engine, consult an authorized Honda servicing dealer.

All information in this publication is based on the latest product information available at the time of printing. Honda Motor Co., Ltd. reserves the right to make changes at any time without notice and without incurring any obligation. No part of this publication may be reproduced without written permission.

This manual should be considered a permanent part of the engine and should remain with the engine if resold.


Review the instructions provided with the equipment powered by this engine for any additional information regarding engine startup, shutdown, operation, adjustments or any special maintenance instructions.

United States, Puerto Rico, and U.S. Virgin Islands:

We suggest you read the warranty policy to fully understand its coverage and your responsibilities of ownership. The warranty policy is a separate document that should have been given to you by your dealer.

SAFETY MESSAGES

Your safety and the safety of others are very important. We have provided important safety messages in this manual and on the engine. Please read these messages carefully.

A safety message alerts you to potential hazards that could hurt you or others. Each safety message is preceded by a safety alert symbol  and one of three words, DANGER, WARNING, or CAUTION.

These signal words mean:

 **DANGER**

You **WILL** be **KILLED** or **SERIOUSLY HURT** if you don't follow instructions.

 **WARNING**

You **CAN** be **KILLED** or **SERIOUSLY HURT** if you don't follow instructions.

 **CAUTION**

You **CAN** be **HURT** if you don't follow instructions.

Each message tells you what the hazard is, what can happen, and what you can do to avoid or reduce injury.

DAMAGE PREVENTION MESSAGES

You will also see other important messages that are preceded by the word NOTICE.

This word means:

NOTICE

Your engine or other property can be damaged if you don't follow instructions.

The purpose of these messages is to help prevent damage to your engine, other property, or the environment.

© 2014 Honda Motor Co., Ltd. –All Rights Reserved

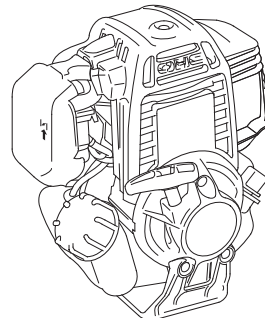
GX25NT-GX35NT

37Z6J613

00X37-Z6J-6130

HONDA

OWNER'S MANUAL MANUEL DE L'UTILISATEUR MANUAL DEL PROPIETARIO GX25·GX35



WARNING:



The engine exhaust from this product contains chemicals known to the State of California to cause cancer, birth defects or other reproductive harm.

California Proposition 65

This product contains or emits chemicals known to the state of California to cause cancer, birth defects or other reproductive harm

CONTENTS

INTRODUCTION.....	1	FUEL FILTER AND FUEL TANK	12
SAFETY MESSAGES.....	1	SPARK ARRESTER	13
SAFETY INFORMATION	2	HOT AIR TUBE REMOVAL/INSTALLATION.....	15
SAFETY LABEL LOCATION.....	2	HELPFUL TIPS & SUGGESTIONS.....	15
COMPONENT & CONTROL LOCATIONS	2	STORING YOUR ENGINE.....	15
FEATURES	3	TRANSPORTING	16
BEFORE OPERATION CHECKS	4	TAKING CARE OF UNEXPECTED PROBLEMS.....	16
OPERATION	4	TECHNICAL & CONSUMER INFORMATION	17
SAFE OPERATING PRECAUTIONS.....	4	Serial Number Location	17
STARTING THE ENGINE.....	4	Remote Control Linkage	17
SETTING ENGINE SPEED	5	Carburetor Modifications for High Altitude Operation	17
STOPPING THE ENGINE	6	Emission Control System Information	18
SERVICING YOUR ENGINE	6	Air Index.....	18
THE IMPORTANCE OF MAINTENANCE.....	6	Specifications.....	19
MAINTENANCE SAFETY	6	Tuneup Specifications	19
SAFETY PRECAUTIONS	7	Quick Reference Information	19
MAINTENANCE SCHEDULE	7	Wiring Diagrams	19
REFUELING.....	8	CONSUMER INFORMATION... 20	
ENGINE OIL	8	Warranty and Distributor/Dealer Locator Information	20
Recommended Oil.....	8	Customer Service Information	20
Oil Level Check	9		
Oil Change.....	9		
AIR CLEANER	10		
Inspection.....	10		
Cleaning.....	10, 11		
SPARK PLUG	11		
COOLING FINS.....	12		

ENGLISH

FRANÇAIS

ESPAÑOL

SAFETY INFORMATION

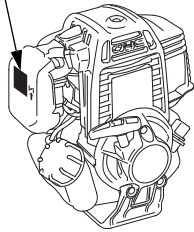
- Understand the operation of all controls and learn how to stop the engine quickly in case of emergency. Make sure the operator receives adequate instruction before operating the equipment.
- Do not allow children to operate the engine. Keep children and pets away from the area of operation.
- Your engine's exhaust contains poisonous carbon monoxide. Do not run the engine without adequate ventilation, and never run the engine indoors.
- The engine and exhaust become very hot during operation. Keep the engine at least 1 meter (3 feet) away from buildings and other equipment during operation. Keep flammable materials away, and do not place anything on the engine while it is running.

SAFETY LABEL LOCATION

This label warns you of potential hazards that can cause serious injury. Read it carefully. If the label comes off or becomes hard to read, contact your Honda servicing dealer for replacement.

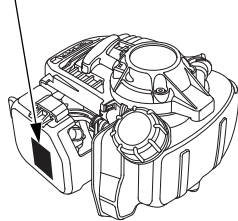
Standard/Pump type:

WARNING LABEL



Tiller type:

WARNING LABEL



The illustrations in this manual are based on the GX25.

- The illustrations may vary according to the type.

WARNING LABEL	For EU	Except EU
<p>Thai Honda Mfg. Co., Ltd. MADE IN THAILAND</p>	attached to product	supplied with product
<p>WARNING</p> <p>Gasoline is highly flammable and explosive. Turn engine off and let cool before refueling.</p> <p>The engine emits toxic carbon monoxide. Do not run in an enclosed area. Read Owner's Manual before operation.</p> <p>Thai Honda Mfg. Co., Ltd. MADE IN THAILAND</p>	supplied with product	attached to product
<p>ATTENTION</p> <p>L'essence est très inflammable et explosive. Arrêter le moteur et le laisser refroidir avant de faire le plein d'essence.</p> <p>Le moteur produit les vapeurs nocives de monoxyde de carbone. Ne pas utiliser dans un local clos. Lire le manuel de propriétaire avant l'utilisation.</p> <p>JAPAN Thai Honda Mfg. Co., Ltd. MADE IN THAILAND</p>	supplied with product	supplied with product



Gasoline is highly flammable and explosive. Stop the engine and let cool before refueling.



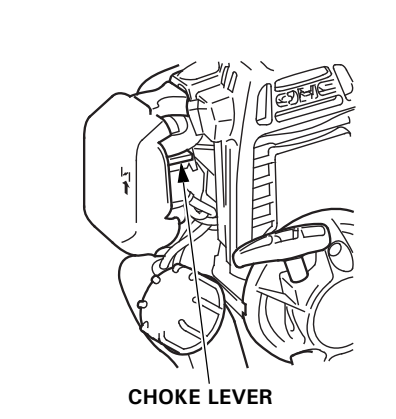
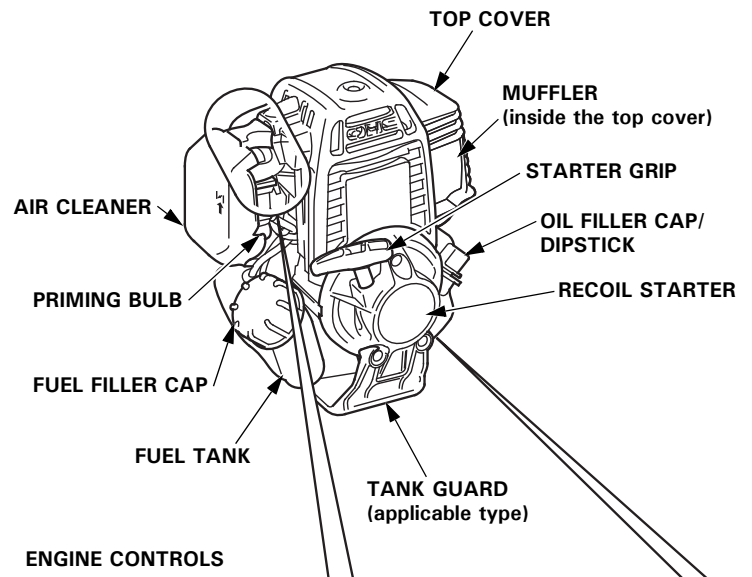
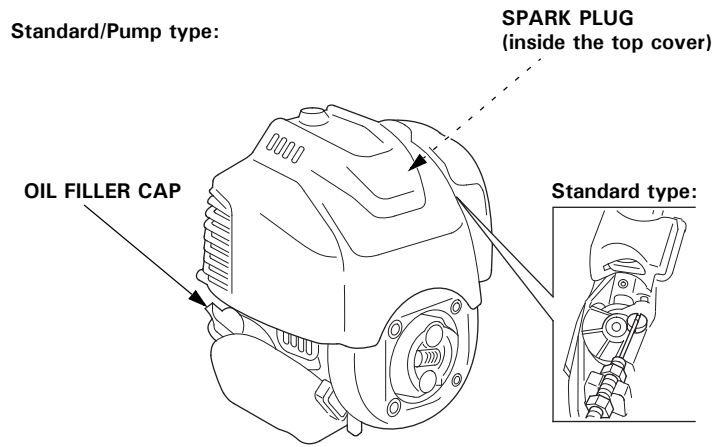
The engine emits toxic poisonous carbon monoxide gas. Do not run in an enclosed area.



Read Owner's Manual before operation.

COMPONENT & CONTROL LOCATIONS

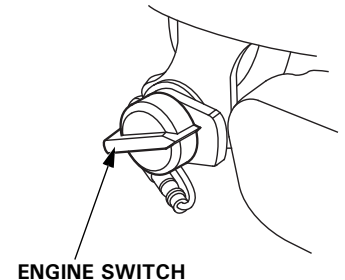
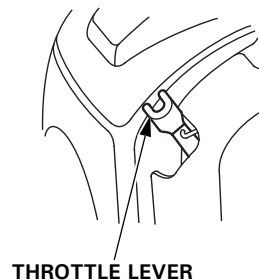
Standard/Pump type:



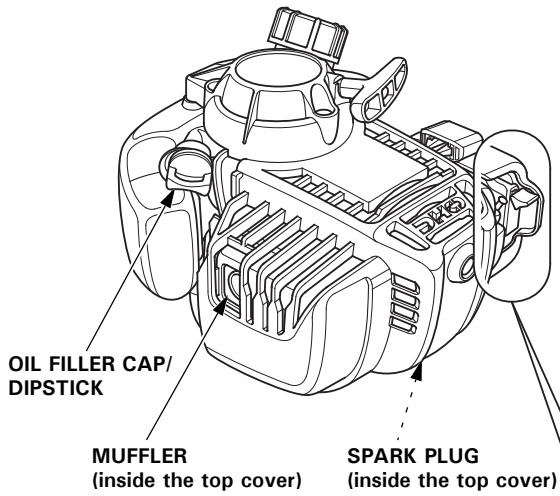
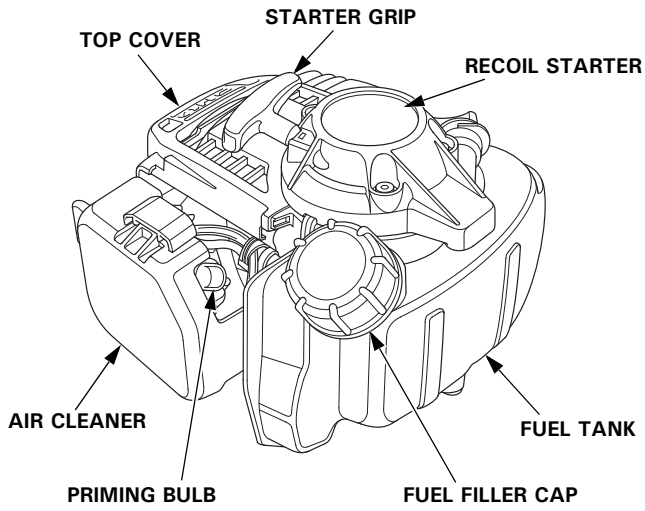
Standard type:



Pump type:

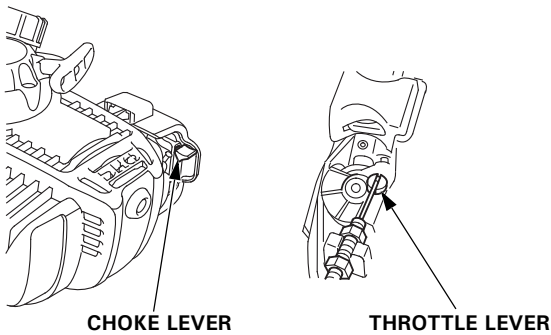


Tiller type:

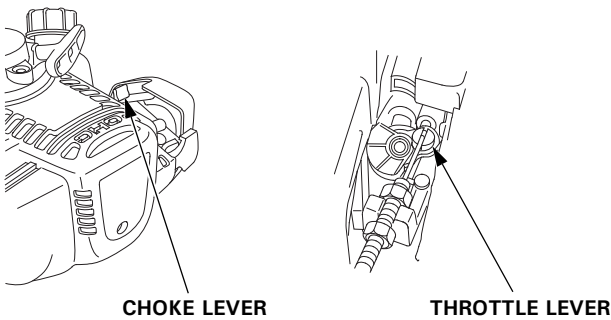


ENGINE CONTROLS

GX25



GX35



FEATURES

Centrifugal Clutch (Standard/Tiller type)

The centrifugal clutch automatically engages and transmits power when engine speed is increased above approximately 4,200 rpm. At idle speed, the clutch is disengaged.

NOTICE

Do not run the engine without mounting it on equipment that includes the centrifugal clutch drum and housing, or centrifugal force will cause the clutch shoes to contact and damage the engine case.

BEFORE OPERATION CHECKS

IS YOUR ENGINE READY TO GO?

For your safety, to ensure compliance with environmental regulations, and to maximize the service life of your equipment, it is very important to take a few moments before you operate the engine to check its condition. Be sure to take care of any problem you find, or have your servicing dealer correct it, before you operate the engine.

⚠ WARNING

Improperly maintaining this engine, or failure to correct a problem before operation, can cause a malfunction in which you can be seriously hurt or killed.

Always perform a pre-operation inspection before each operation, and correct any problem.

Before beginning your pre-operation checks, be sure the engine is level and the engine switch is in the OFF position.

Always check the following items before you start the engine:

Check the General Condition of the Engine

1. Before each use, look around and underneath the engine for signs of oil or gasoline leaks.
2. Remove any excessive dirt or debris, especially around the muffler and recoil starter.
3. Look for signs of damage.
4. Check that all shields and covers are in place, and all nuts, bolts, and screws are tightened.

Check the Engine

1. Check the fuel level (see page 8). Starting with a full tank will help to eliminate or reduce operating interruptions for refueling.
2. Check the engine oil level (see page 9). Running the engine with a low oil level can cause engine damage.
3. Check the air filter element (see page 10). A dirty air filter element will restrict air flow to the carburetor, reducing engine performance.
4. Check the equipment powered by this engine.

Review the instructions provided with the equipment powered by this engine for any precautions and procedures that should be followed before engine startup.

OPERATION

SAFE OPERATING PRECAUTIONS

Before operating the engine for the first time, please review the *SAFETY INFORMATION* section on page 2 and the *BEFORE OPERATION CHECKS*.

Carbon Monoxide Hazards

For your safety, do not operate the engine in an enclosed area such as a garage. Your engine's exhaust contains poisonous carbon monoxide gas that can collect rapidly in an enclosed area and cause illness or death.

⚠ WARNING

Exhaust contains poisonous carbon monoxide gas that can build up to dangerous levels in closed areas.

Breathing carbon monoxide can cause unconsciousness or death.

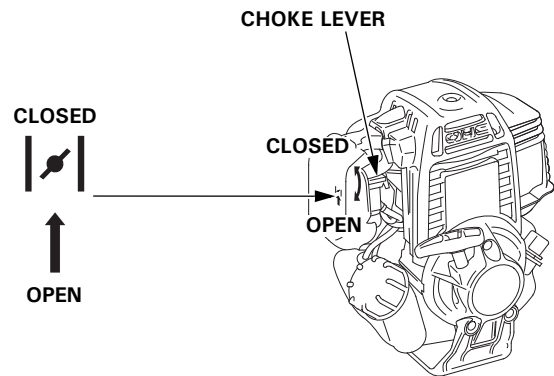
Never run the engine in a closed or even partially closed area where people may be present.

Review the instructions provided with the equipment powered by this engine for any safety precautions that should be observed with engine startup, shutdown or operation.

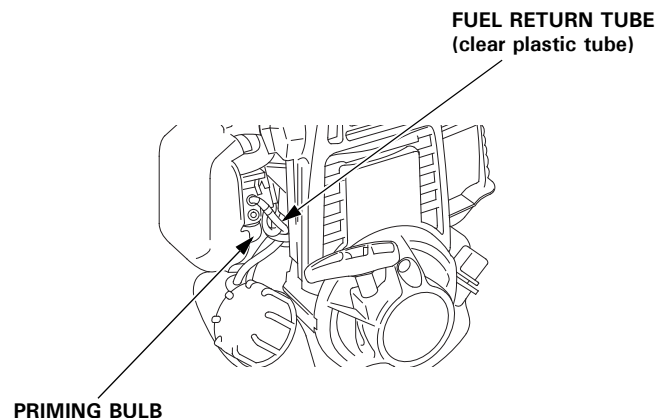
STARTING THE ENGINE

1. To start a cold engine, move the choke lever to the CLOSED position.

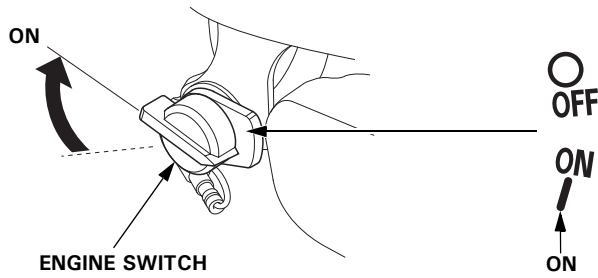
To restart a warm engine, leave the choke lever in the OPEN position.



2. Press the priming bulb repeatedly until fuel can be seen in the clear-plastic fuel-return tube.



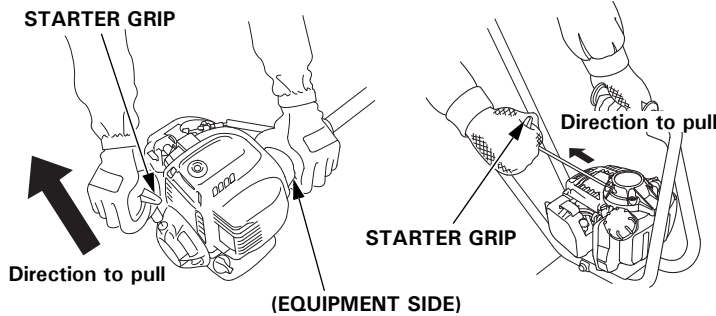
- Standard/Tiller type: Turn the engine switch on the equipment to the ON position.
 - Pump type: Turn the engine switch to the ON position.



- Pull the starter grip lightly until you feel resistance, then pull briskly in the direction of the arrow as shown below. Return the starter grip gently.

Standard/Pump type:

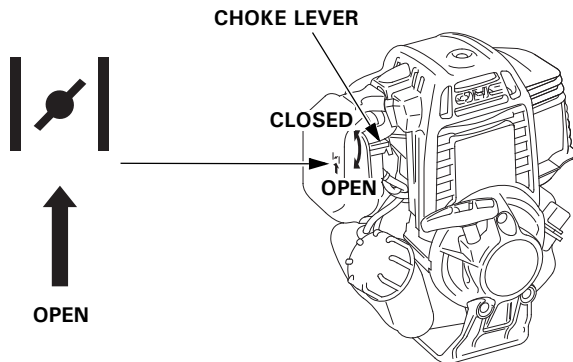
Tiller type:



NOTICE

Do not allow the starter grip to snap back against the engine. Return it gently to prevent damage to the starter.

- If the choke lever was moved to the CLOSED position to start the engine, gradually move it to the OPEN position as the engine warms up.



Hot Restart

If the engine is operated at higher ambient temperatures, then turned off and allowed to sit for a short time, it may not restart on the first pull.

If necessary, use the following procedure:

IMPORTANT SAFETY PRECAUTION

Turn the engine switch to the OFF position before performing the following procedure. This will prevent the engine from starting and running at maximum speed when the throttle is in the MAX. speed position. If the engine starts with the throttle in the MAX. speed position, the equipment can move forward rapidly or the trimmer attachment can spin at maximum speed. This may result in personal injury.

Tiller type

- Turn the engine switch on the equipment to the OFF position.
- Move the choke lever to the OPEN position.
- Hold the throttle lever on the equipment in the MAX. speed position.
- Pull the starter grip 3 to 5 times.

Follow the STARTING THE ENGINE procedure on page 4 and start the engine with the choke lever in the OPEN position.

Pump type

- Turn the engine switch to the OFF position.
- Move the choke lever to the OPEN position.
- Hold the throttle lever in the MAX. speed position.
- Pull the starter grip 3 to 5 times.

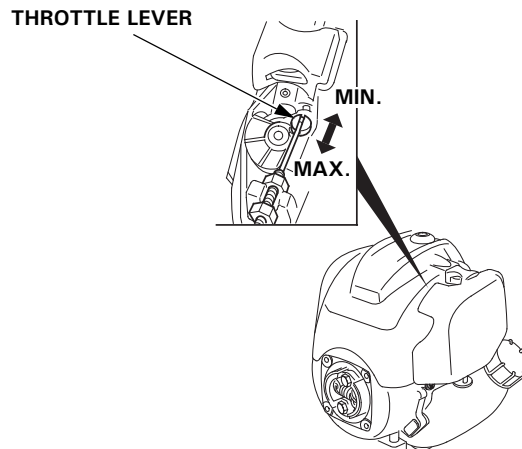
Follow the STARTING THE ENGINE procedure on page 4 and start the engine with the choke lever in the OPEN position.

SETTING ENGINE SPEED

Standard/Tiller type:

Position the throttle lever for the desired engine speed.

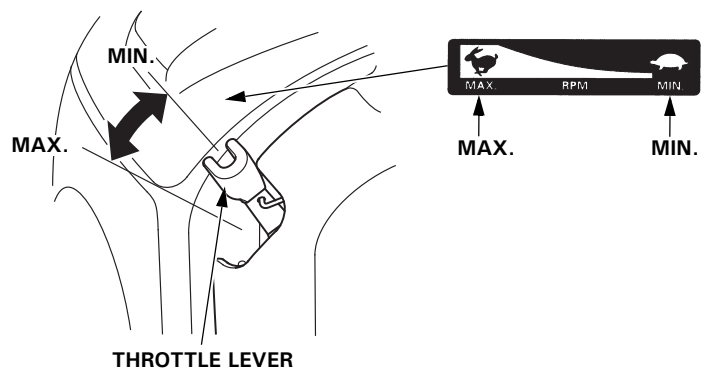
The throttle lever shown here will be connected to a remote control on the equipment powered by this engine. Refer to the instructions provided with the equipment for remote control information and for engine speed recommendations.



Pump type:

Position the throttle lever for the desired engine speed.

For engine speed recommendations, refer to the instructions provided with the equipment powered by this engine.



STOPPING THE ENGINE

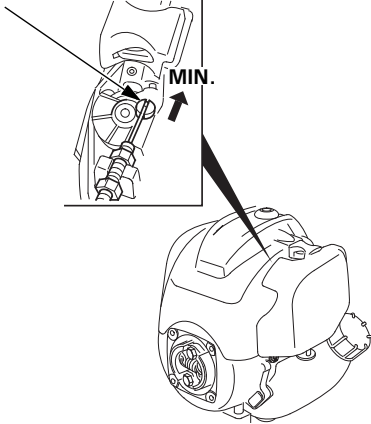
Standard/Tiller type:

To stop the engine in an emergency, simply turn the engine switch on the equipment to the OFF position. Under normal conditions, use the following procedure.

1. Move the throttle lever to the MIN. position.

The throttle lever shown here will be connected to a remote control on the equipment powered by this engine. Refer to the instructions provided with the equipment for remote control information and for engine speed recommendations.

THROTTLE LEVER

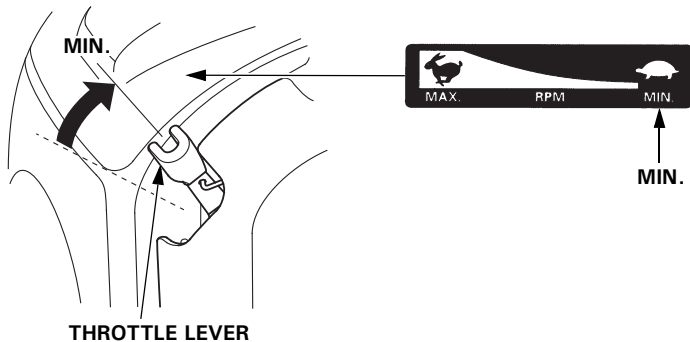


2. Turn the engine switch on the equipment to the OFF position.

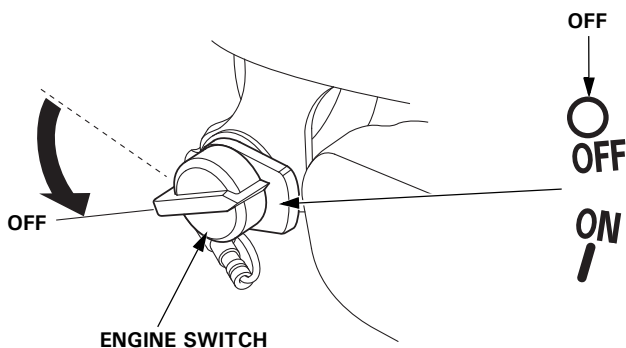
Pump type:

To stop the engine in an emergency, simply turn the engine switch to the OFF position. Under normal conditions, use the following procedure.

1. Move the throttle lever to the MIN. position.



2. Turn the engine switch to the OFF position.



SERVICING YOUR ENGINE

THE IMPORTANCE OF MAINTENANCE

Good maintenance is essential for safe, economical and trouble-free operation. It will also help reduce pollution.

⚠ WARNING

Improper maintenance, or failure to correct a problem before operation, can cause a malfunction in which you can be seriously hurt or killed.

Always follow the inspection and maintenance recommendations and schedules in this owner's manual.

To help you properly care for your engine, the following pages include a maintenance schedule, routine inspection procedures, and simple maintenance procedures using basic hand tools. Other service tasks that are more difficult, or require special tools, are best handled by professionals and are normally performed by a Honda technician or other qualified mechanic.

The maintenance schedule applies to normal operating conditions. If you operate your engine under severe conditions, such as sustained high-load or high-temperature operation, or use in unusually wet or dusty conditions, consult your Honda servicing dealer for recommendations applicable to your individual needs and use.

Maintenance, replacement, or repair of the emission control devices and systems may be performed by any engine repair establishment or individual, using parts that are "certified" to EPA standards.

MAINTENANCE SAFETY

Some of the most important safety precautions follow. However, we cannot warn you of every conceivable hazard that can arise in performing maintenance. Only you can decide whether or not you should perform a given task.

⚠ WARNING

Failure to properly follow maintenance instructions and precautions can cause you to be seriously hurt or killed.

Always follow the procedures and precautions in this owner's manual.

SAFETY PRECAUTIONS

- Make sure the engine is off before you begin any maintenance or repairs. To prevent accidental startup, disconnect the spark plug cap. This will eliminate several potential hazards:
 - **Carbon monoxide poisoning from engine exhaust.**
Operate outside, away from open windows or doors.
 - **Burns from hot parts.**
Let the engine and exhaust system cool before touching.
 - **Injury from moving parts.**
Do not run the engine unless instructed to do so.
- Read the instructions before you begin, and make sure you have the tools and skills required.
- To reduce the possibility of fire or explosion, be careful when working around gasoline. Use only a non-flammable solvent, not gasoline, to clean parts. Keep cigarettes, sparks and flames away from all fuel related parts.

Remember that an authorized Honda servicing dealer knows your engine best and is fully equipped to maintain and repair it. To ensure the best quality and reliability, use only new Honda Genuine parts or their equivalents for repair and replacement.

MAINTENANCE SCHEDULE

REGULAR SERVICE PERIOD (3) Perform at every indicated month or operating hour interval, whichever comes first.		Each use	First month or 10 hrs.	Every 3 months or 25 hrs.	Every 6 months or 50 hrs.	Every year or 100 hrs.	Every 2 years or 300 hrs.	Refer to Page
ITEM								
Engine oil	Check level	o						9
	Change		o		o			
Air cleaner	Check	o						10-11
	Clean			o (1)				
	Replace					o (5)		
Spark plug	Check-adjust					o		11-12
	Replace						o	
Timing belt	Check		After every 300 hrs. (2) (4)					Shop manual
Spark arrester (Applicable types)	Clean					o		13-14
Exhaust filter (Applicable types)	Clean					o		14
Engine cooling fins	Check				o			12
Nuts, bolts, fasteners (Retighten if necessary)	Check	o						4
Clutch shoes	Check				o (2)			Shop manual
Idle speed	Check-adjust					o (2)		Shop manual
Valve clearance	Check-adjust					o (2)		Shop manual
Combustion chamber	Clean		After every 300 hrs. (2)					Shop manual
Fuel filter	Clean					o		12
Fuel tank	Clean					o		12
Fuel tubes	Check		Every 2 years (Replace if necessary) (2)					Shop manual
Oil tube	Check		Every 2 years (Replace if necessary) (2)					Shop manual

- (1) Service more frequently when used in dusty areas.
- (2) These items should be serviced by your Honda servicing dealer, unless you have the proper tools and are mechanically proficient. Refer to the Honda shop manual for service procedures.
- (3) For commercial use, log hours of operation to determine proper maintenance intervals.
- (4) Check that there is no crack and abnormal wear-out in the belt, and replace if it is abnormal.
- (5) Replace paper air filter element type (GX35) only.

Failure to follow this maintenance schedule could result in non-warrantable failures.

REFUELING

Recommended Fuel

Unleaded gasoline	
U.S.	Pump octane rating 86 or higher
Except U.S.	Research octane rating 91 or higher
	Pump octane rating 86 or higher

This engine is certified to operate on unleaded gasoline with a pump octane rating of 86 or higher (a research octane rating of 91 or higher).

Refuel in a well ventilated area with the engine stopped. If the engine has been running, allow it to cool first. Never refuel the engine inside a building where gasoline fumes may reach flames or sparks.

You may use unleaded gasoline containing no more than 10% ethanol (E10) or 5% methanol by volume. In addition, methanol must contain cosolvents and corrosion inhibitors. Use of fuels with content of ethanol or methanol greater than shown above may cause starting and/or performance problems. It may also damage metal, rubber, and plastic parts of the fuel system. Engine damage or performance problems that result from using a fuel with percentages of ethanol or methanol greater than shown above are not covered under the Warranty.

If your equipment will be used on an infrequent or intermittent basis, please refer to the "Fuel" section of the "STORING YOUR ENGINE" chapter (see page 15) for additional information regarding fuel deterioration.

Never use stale or contaminated gasoline or an oil/gasoline mixture. Avoid getting dirt or water in the fuel tank.

⚠ WARNING

Gasoline is highly flammable and explosive, and you can be burned or seriously injured when refueling.

- Stop the engine and keep heat, sparks, and flame away.
- Refuel only outdoors.
- Wipe up spills immediately.

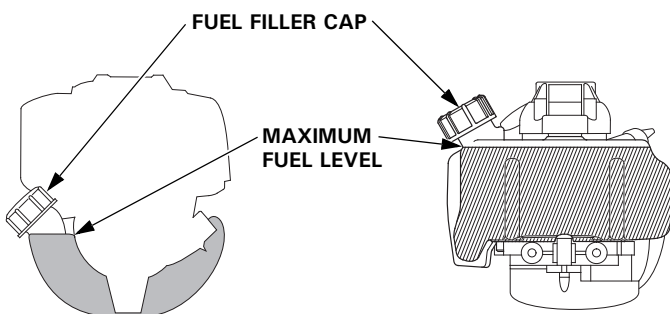
NOTICE

Fuel can damage paint and some types of plastic. Be careful not to spill fuel when filling your fuel tank. Damage caused by spilled fuel is not covered under the Distributor's Limited Warranty.

1. Check the fuel level by looking through the translucent fuel tank.
2. If the fuel level is low, refuel in a well-ventilated area with the engine stopped. If the engine has been running, allow it to cool.

Standard/Pump type:

Tiller type:



To refuel, rest the engine on a level surface with the fuel filler cap facing up, as shown. Remove the fuel filler cap, and fill the tank with gasoline to the bottom of the filler neck. Refuel carefully to avoid spilling fuel. Do not overfill. There should be no fuel in the filler neck. After refueling, tighten the fuel filler cap securely.

Keep gasoline away from appliance pilot lights, barbecues, electric appliances, power tools, etc.

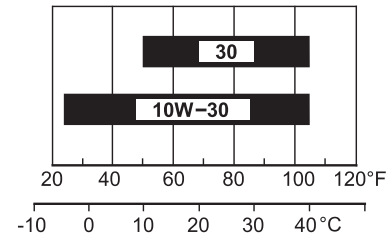
Spilled fuel is not only a fire hazard, it causes environmental damage. Wipe up spills immediately.

ENGINE OIL

Oil is a major factor affecting performance and service life. Use 4-stroke automotive detergent oil.

Recommended Oil

Use 4-stroke motor oil that meets or exceeds the requirements for API service classification SJ or later (or equivalent). Always check the API service label on the oil container to be sure it includes the letters SJ or later (or equivalent).



AMBIENT TEMPERATURE

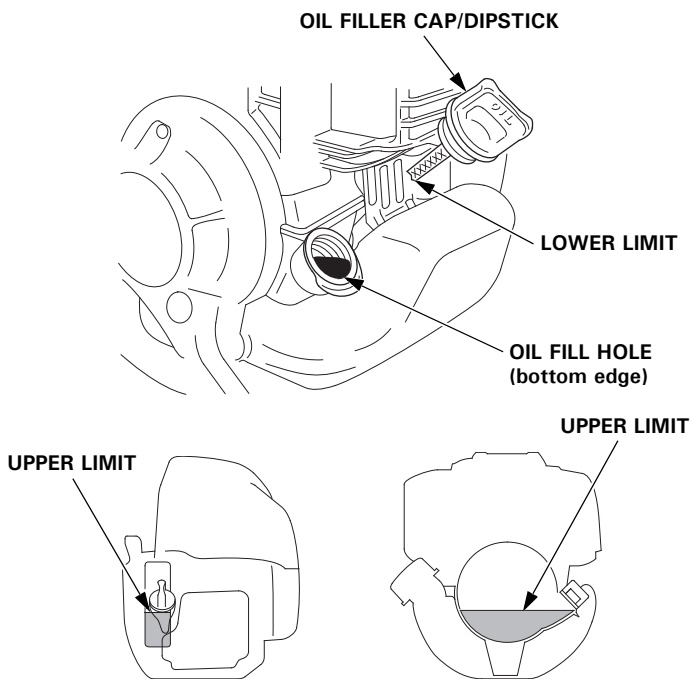
SAE 10W-30 is recommended for general use. Other viscosities shown in the chart may be used when the average temperature in your area is within the indicated range.

Oil Level Check

Check the engine oil level before each use, or every 10 hours if operated continuously.

Check the engine oil level with the engine stopped and in a level position.

1. Remove the oil filler cap/dipstick and wipe it clean.
2. Insert and remove the oil filler cap/dipstick without screwing it into the oil filler neck, then remove it to check the oil level shown on the dipstick.
3. If the oil level is near or below the lower limit mark on the dipstick, fill to the bottom edge of the oil fill hole with the recommended oil (see page 8). To avoid overfilling or underfilling, be sure the engine is in a level position, as shown, while adding oil.



4. Reinstall the oil filler cap/dipstick and tighten securely.

NOTICE

Running the engine with a low oil level can cause engine damage. This type of damage is not covered by the Distributor's Limited Warranty.

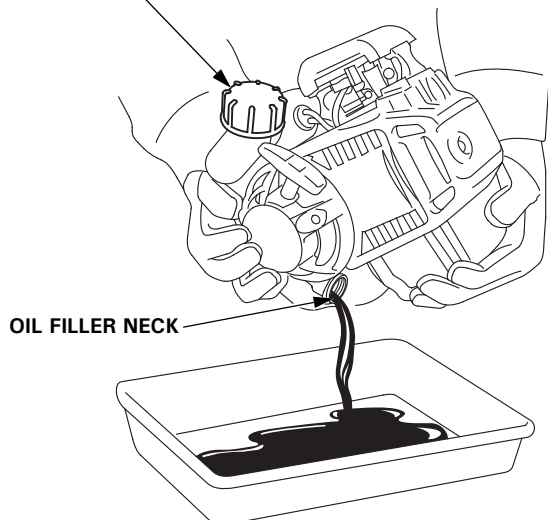
Oil Change

Drain the used oil when the engine is warm. Warm oil drains quickly and completely.

1. Check that the fuel filler cap is tightened securely.
2. Place a suitable container below the engine to catch the used oil.
3. Remove the oil filler cap/dipstick and drain the oil into the container by tipping the engine toward the oil filler neck.

Please dispose of used motor oil in a manner that is compatible with the environment. We suggest you take used oil in a sealed container to your local recycling center or service station for reclamation. Do not throw it in the trash, pour it on the ground, or pour it down a drain.

FUEL FILLER CAP

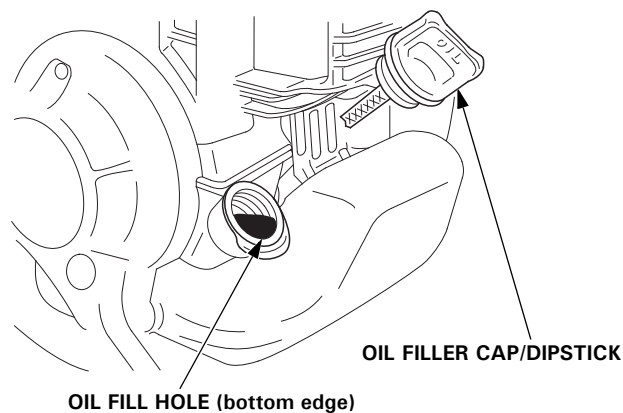


4. With the engine in a level position, fill to the bottom edge of the oil fill hole with the recommended oil (see page 8).

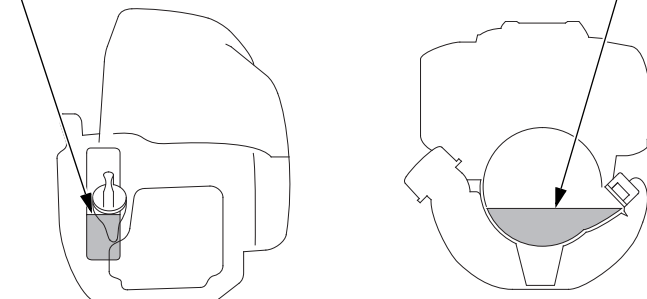
Some oil will remain in the engine after draining. When refilling with fresh oil, start with less than 80 cm³ (2.7 US oz, 2.8 Imp oz). Slowly add enough oil to fill to the bottom edge of the oil fill hole as shown below.

NOTICE

Running the engine with a low or excessive oil level can cause engine damage. This type of damage is not covered by the Distributor's Limited Warranty.



UPPER LIMIT



5. Reinstall the oil filler cap/dipstick securely. If any oil is spilled, make sure to wipe it up.

AIR CLEANER

A dirty air cleaner will restrict air flow to the carburetor, reducing engine performance. If you operate the engine in very dusty areas, clean the air filter element more often than specified in the MAINTENANCE SCHEDULE.

NOTICE

Operating the engine without an air filter element, or with a damaged air filter element, will allow dirt to enter the engine, causing rapid engine wear. This type of damage is not covered by the Distributor's Limited Warranty.

Inspection (foam air filter element type)

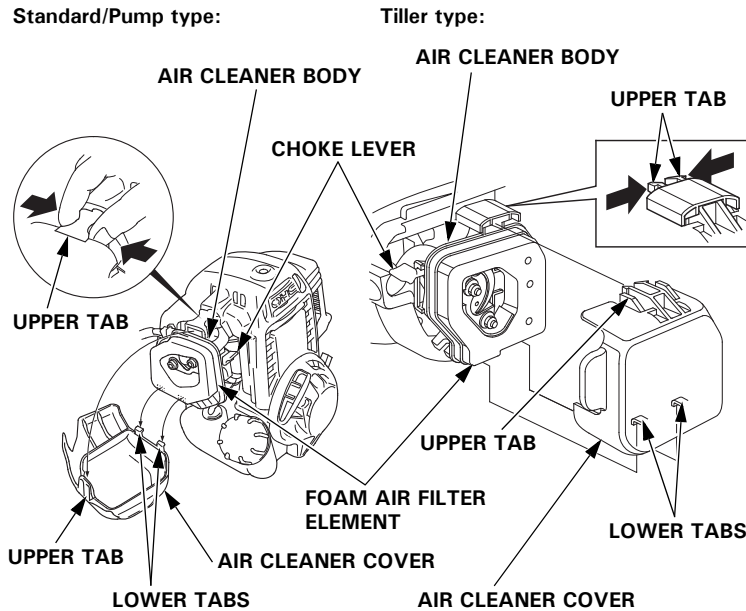
Press the latch tab on the top of the air cleaner cover, and remove the cover. Inspect the air filter element. Clean or replace dirty air filter element. Always replace damaged air filter element.

Refer to this page for instructions that apply to the air cleaner and filter service.

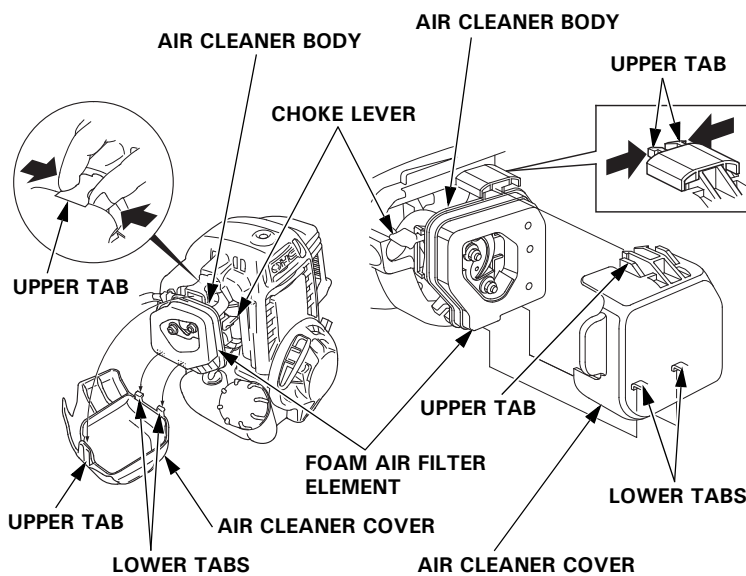
Reinstall the air filter element and air cleaner cover.

GX25

Standard/Pump type:



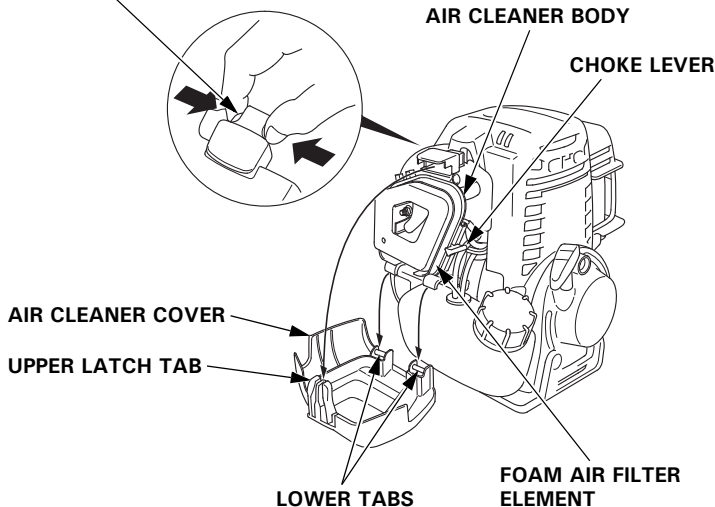
Tiller type:



GX35

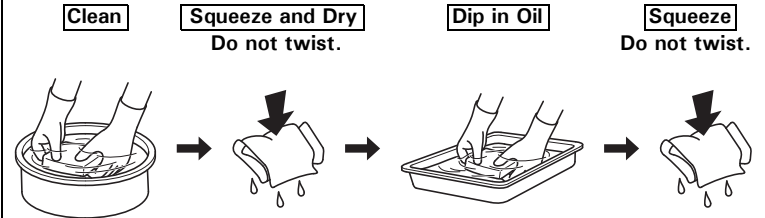
Standard/Tiller type:

UPPER LATCH TAB



Cleaning (foam air filter element type)

1. Clean the filter element in warm soapy water, rinse, and allow to dry thoroughly. Or clean in non-flammable solvent and allow to dry.
2. Dip the filter element in clean engine oil, then squeeze out all excess oil. The engine will smoke when started if too much oil is left in the element.
3. Wipe dirt from the air cleaner body and cover, using a moist rag. Be careful to prevent dirt from entering the carburetor.



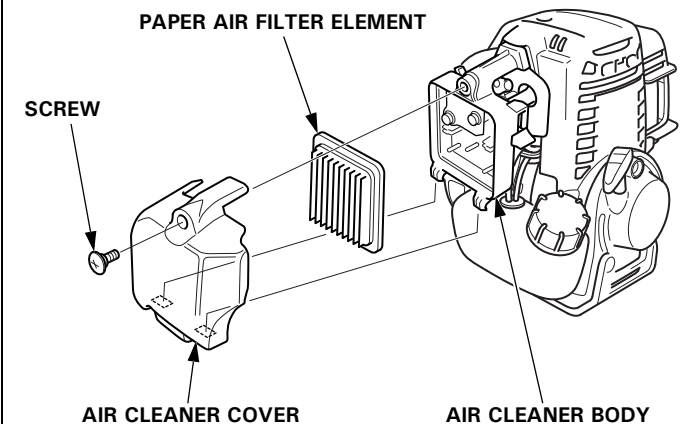
4. Reinstall the filter element and air cleaner cover securely.

Inspection (paper air filter element type)

Remove the screw and the air cleaner cover. Inspect the air filter element. Clean or replace dirty air filter element. Always replace damaged air filter element.

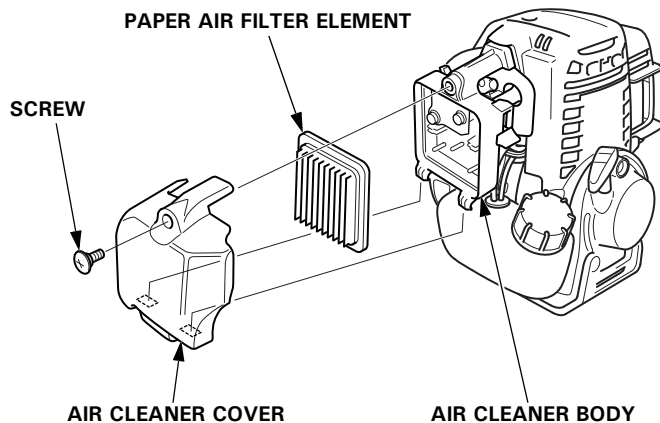
Refer to page 11 for cleaning instructions.

Reinstall the air filter element and air cleaner cover.



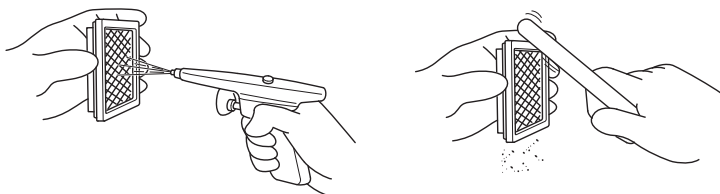
Cleaning (paper air filter element type)

1. Remove the screw from the air cleaner cover, and remove the cover.
2. Remove the paper air filter element from the air cleaner body.



3. Inspect the air filter element, and replace it if it is damaged. Always replace the paper air filter element at the scheduled interval (see page 7).
4. Clean the air filter element if it is to be reused.

Tap the paper air filter element several times on a hard surface to remove dirt, or blow compressed air [not exceeding 200 kPa (2.0 kgf/cm², 29 psi)] through the filter element from the air cleaner body side. Never try to brush off dirt; brushing will force dirt into the fibers. Replace the paper air filter element if it is excessively dirty.



5. Wipe dirt from the inside of the air cleaner body and cover using a moist rag. Be careful to prevent dirt from entering the air duct that leads to the carburetor.
6. Reinstall the paper air filter element to the air cleaner body.
7. Install the air cleaner cover, and tighten the screw securely.

SPARK PLUG

Recommended Spark Plug: CM5H (NGK), CMR5H (NGK)

The recommended spark plug has the correct heat range for normal engine operating temperatures.

NOTICE

An incorrect spark plug can cause engine damage.

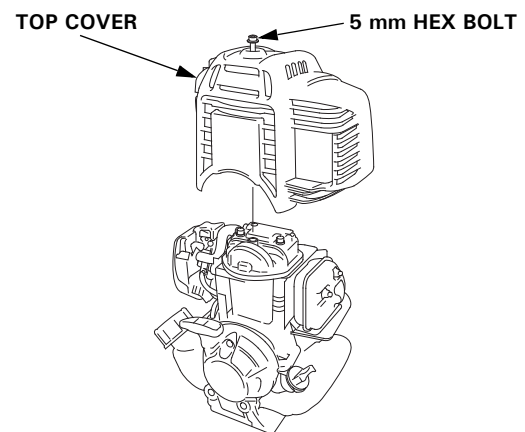
For good performance, the spark plug must be properly gapped and free of deposits.

1. Remove the top cover.
Loosen the 5 mm hex bolt with a hexagon wrench, then remove the top cover.

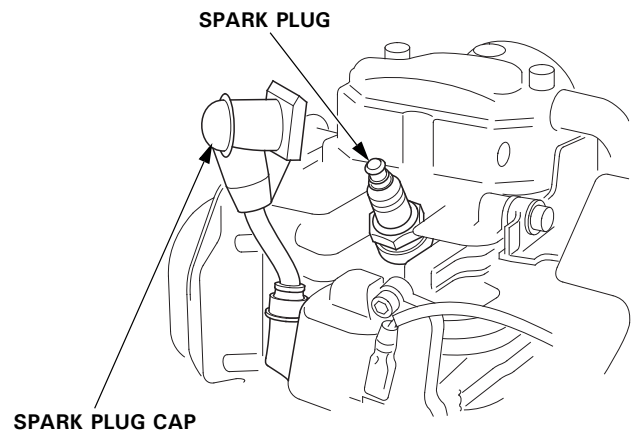
CAUTION

Do not operate the engine when the top cover is removed.
Do not pull the recoil starter handle when the top cover is removed.

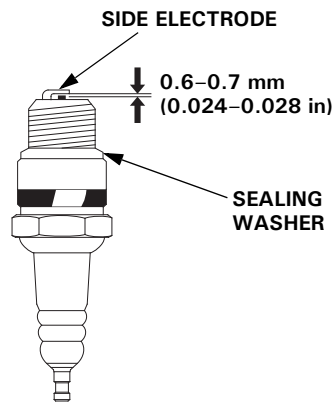
You may be injured from the rotating parts or burned by the muffler.



2. Disconnect the spark plug cap, and remove any dirt from around the spark plug area.
3. Remove the spark plug with a 5/8-inch spark plug wrench.



- Inspect the spark plug. Replace it if damaged or badly fouled, if the sealing washer is in poor condition, or if the electrode is worn.



- Measure the spark plug electrode gap with a wire-type feeler gauge. Correct the gap, if necessary, by carefully bending the side electrode. The gap should be: 0.6–0.7 mm (0.024–0.028 in)
- Install the spark plug carefully, by hand, to avoid cross-threading.

- After the spark plug is seated, tighten with a 5/8-inch spark plug wrench to compress the sealing washer.

When installing a new spark plug, tighten 1/2 turn after the spark plug seats to compress the washer.

When reinstalling the original spark plug, tighten 1/8–1/4 turn after the spark plug seats to compress the washer.

NOTICE

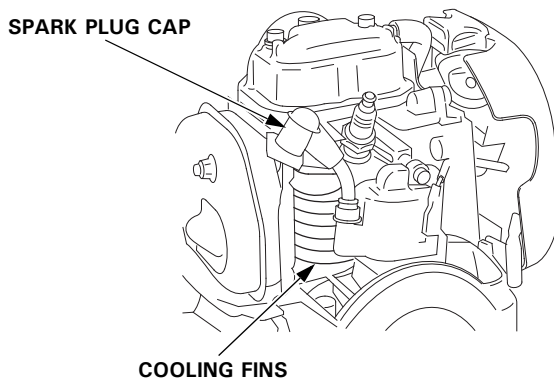
A loose spark plug can overheat and damage the engine. Overtightening the spark plug can damage the threads in the cylinder head.

- Attach the spark plug cap to the spark plug.
- Install the top cover, and tighten the 5 mm hex bolt securely with a hexagon wrench.

COOLING FINS

Inspection

- Loosen the 5 mm hex bolt, then remove the top cover.
- Disconnect the spark plug cap.
- Inspect the engine cooling fins, and clean out debris if necessary.



- Reconnect the spark plug cap.
- Install the top cover, and tighten the 5 mm hex bolt securely.

FUEL FILTER AND FUEL TANK

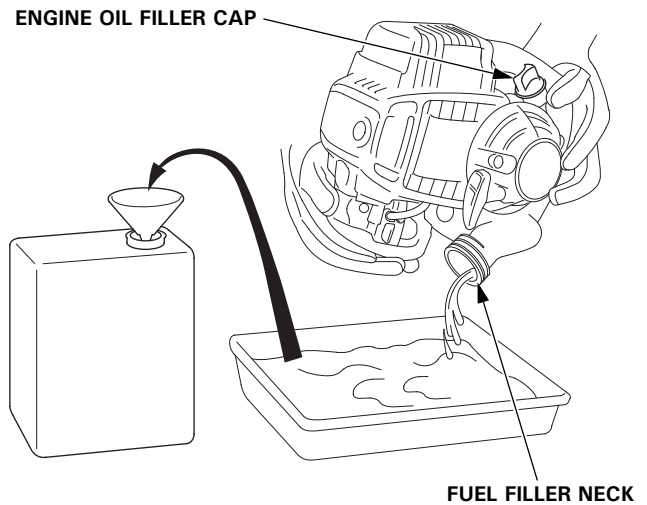
Fuel filter inspection and Fuel tank cleaning

⚠ WARNING

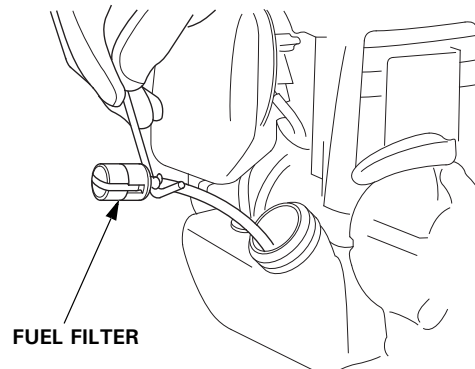
Gasoline is highly flammable and explosive, and you can be burned or seriously injured when handling fuel.

- Stop the engine and keep heat, sparks, and flame away.
- Handle fuel only outdoors.
- Wipe up spills immediately.

- Check that the engine oil filler cap is tightened securely.
- Remove the fuel filler cap, and drain the fuel into an approved gasoline container by tipping the engine toward the fuel filler neck.



- Pull the fuel filter out through the fuel filler neck by hooking the black fuel tube with a piece of wire, such as a partly straightened paper clip.
- Inspect the fuel filter. If the fuel filter is dirty, wash it gently with non-flammable or high flash point solvent. If the fuel filter is excessively dirty, replace it.



- Remove water and dirt from the fuel tank by rinsing the inside of the fuel tank with non-flammable or high flash point solvent.
- Insert the fuel filter into the fuel tank and tighten the fuel filler cap securely.

SPARK ARRESTER (applicable types)

The spark arrester may be standard or an optional part, depending on the engine type. In some areas, it is illegal to operate an engine without a spark arrester. Check local laws and regulations. A spark arrester is available from authorized Honda servicing dealers.

The spark arrester must be serviced every 100 hours to keep it functioning as designed.

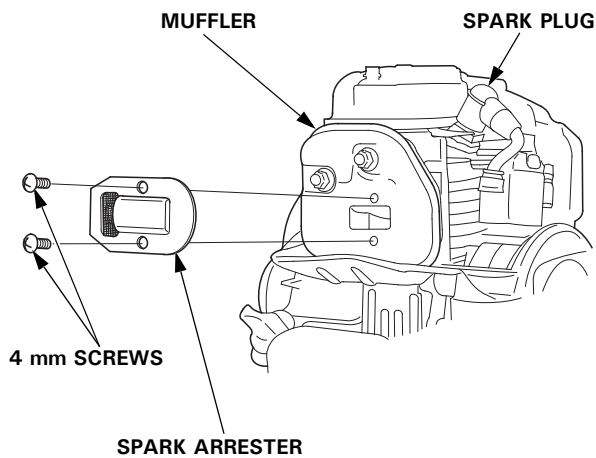
If the engine has been running, the muffler will be hot. Allow it to cool before servicing the spark arrester.

GX25

Standard/Pump type:

Spark Arrester Removal

1. Loosen the 5 mm hex bolt, then remove the top cover (see page 11).
2. Remove the 4 mm screws from the spark arrester, and remove the spark arrester from the muffler.

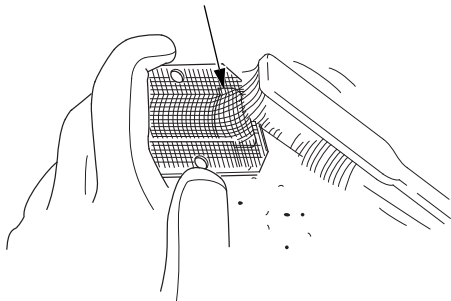


Spark Arrester Cleaning & Inspection

1. Use a brush to remove carbon deposits from the spark arrester screen. Be careful to avoid damaging the screen.

The spark arrester must be free of breaks and holes. Replace the spark arrester if it is damaged.

SPARK ARRESTER SCREEN



2. Install the spark arrester in the reverse order of disassembly.

When you install the spark arrester, the spark arrester's outlet must point to the side opposite the spark plug.

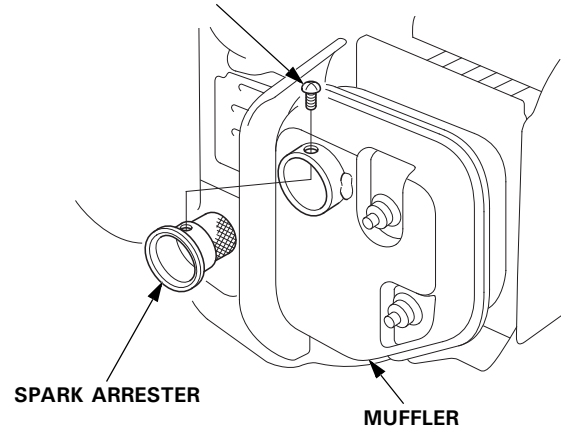
3. Install the top cover, and tighten the 5 mm hex bolt securely (see page 11).

Tiller type

Spark Arrester Removal

1. Loosen the 5 mm hex bolt, then remove the top cover (see page 11).
2. Remove the 3 × 6 mm self-tapping screw from the spark arrester, and remove the spark arrester from the muffler.

3 × 6 mm SELF-TAPPING SCREW

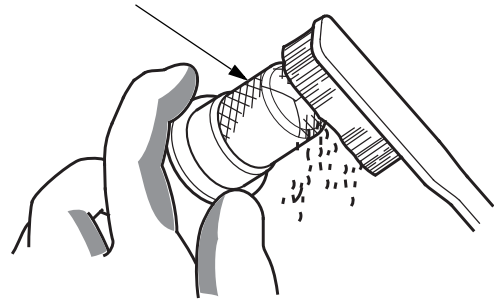


Spark Arrester Cleaning & Inspection

1. Use a brush to remove carbon deposits from the spark arrester screen. Be careful to avoid damaging the screen.

The spark arrester must be free of breaks and holes. Replace the spark arrester if it is damaged.

SPARK ARRESTER SCREEN

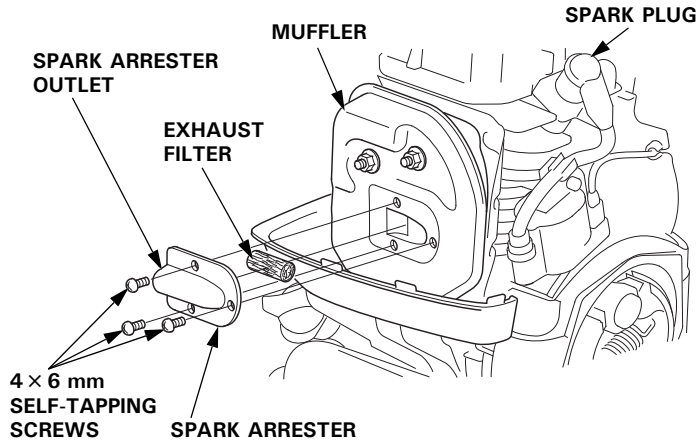


2. Install the spark arrester in the reverse order of disassembly.
3. Install the top cover, and tighten the 5 mm hex bolt securely (see page 11).

GX35
Standard Type:

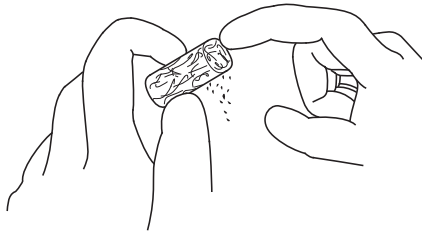
Spark Arrester Removal

1. Loosen the 5 mm hex bolt, then remove the top cover (see page 11).
2. Remove the 4 × 6 mm self-tapping screws from the spark arrester, and remove the spark arrester and exhaust filter from the muffler.



Exhaust Filter Cleaning & Inspection

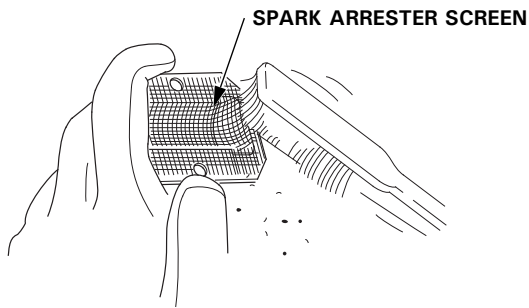
Pinch the exhaust filter, and strike it lightly with a finger, to remove carbon deposits. Be careful not to strike it too hard. The exhaust filter must be free of breaks and holes. If it is damaged or fouled excessively, have it serviced by your Honda dealer.



Spark Arrester Cleaning & Inspection

1. Use a brush to remove carbon deposits from the spark arrester screen. Be careful to avoid damaging the screen.

The spark arrester must be free of breaks and holes. Replace the spark arrester if it is damaged.



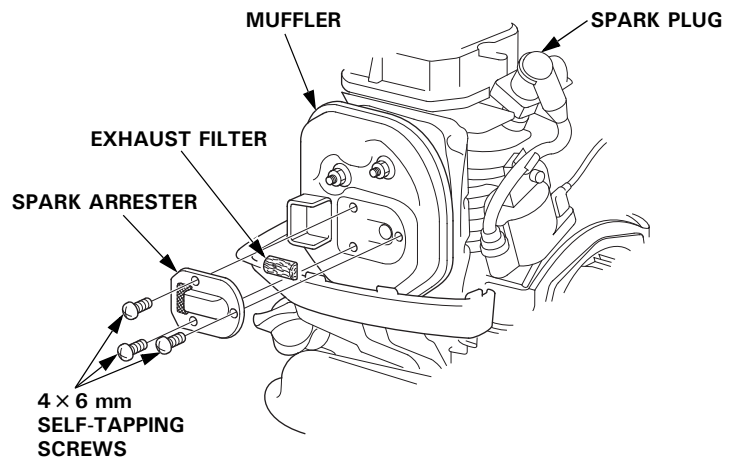
2. Install the exhaust filter and spark arrester in the reverse order of disassembly.

When you install the spark arrester, the spark arrester's outlet must point to the side opposite the spark plug.

3. Install the top cover, and tighten the 5 mm hex bolt securely (see page 11).

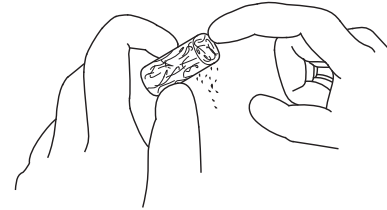
Tiller type:
Spark Arrester Removal

1. Loosen the 5 mm hex bolt, then remove the top cover (see page 11).
2. Remove the 4 × 6 mm self-tapping screws from the spark arrester, and remove the spark arrester from the muffler.



Exhaust Filter Cleaning & Inspection

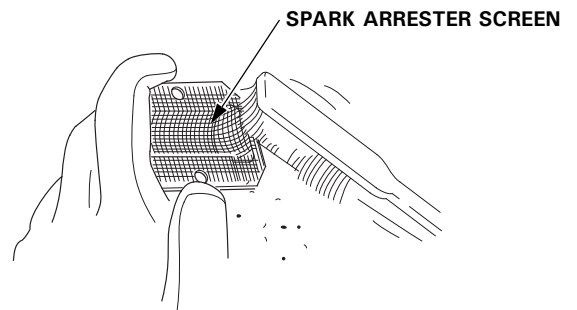
Pinch the exhaust filter, and strike it lightly with a finger, to remove carbon deposits. Be careful not to strike it too hard. The exhaust filter must be free of breaks and holes. If it is damaged or fouled excessively, have it serviced by your Honda dealer.



Spark Arrester Cleaning & Inspection

1. Use a brush to remove carbon deposits from the spark arrester screen. Be careful to avoid damaging the screen.

The spark arrester must be free of breaks and holes. Replace the spark arrester if it is damaged.



2. Install the exhaust filter and spark arrester in the reverse order of disassembly.

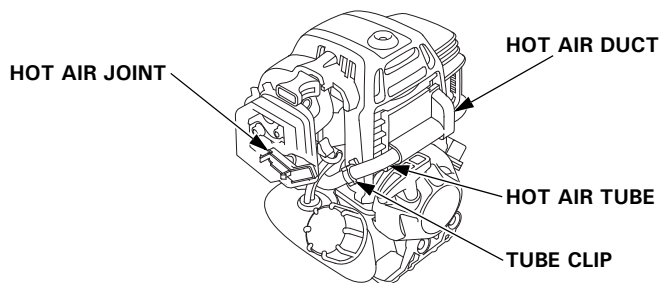
When you install the spark arrester, the spark arrester's outlet must point to the side opposite the spark plug.

3. Install the top cover, and tighten the 5 mm hex bolt securely (see page 11).

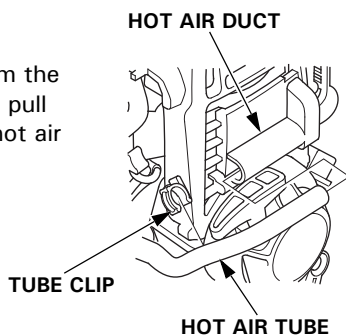
HOT AIR TUBE REMOVAL/INSTALLATION (applicable types)

NOTICE

- Normally use the engine with the hot air tube installed, or it can cause icing.
- When the ambient temperature is high (86°F/30°C or above), be sure to remove the hot air tube in the following procedure before operating the engine.
Operating the engine with the hot air tube installed can cause overheating of the engine.
- Release the hot air tube from the tube clip and disconnect it from the hot air duct before removing the top cover for maintenance, etc. After installing the top cover, be sure to reinstall the hot air tube securely in the original position.



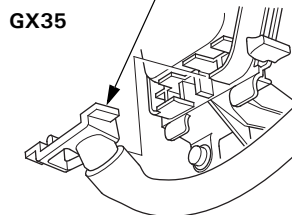
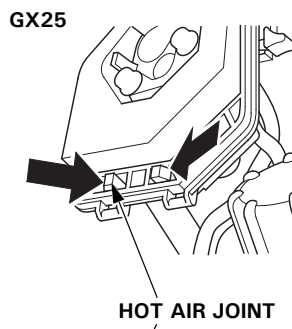
1. Remove the air cleaner cover (see page 10).
2. Release the hot air tube from the clip at the engine cover and pull the hot air tube out of the hot air duct on the engine cover.



3. Remove the hot air joint from the air cleaner case.

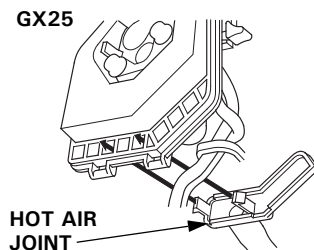
GX25: Push the lug in and push it deep inside to remove the hot air joint from the air cleaner case.

GX35: Remove the hot air joint from the air cleaner case toward you.



4. Remove the hot air tube with the joint set on the tube.
Store the removed parts in an appropriate place carefully. Take care not to lose them.

5. Install the hot air tube and hot air joint in the reverse order of removal.
(GX25 only) Install the hot air joint on the air cleaner case in the position shown.



HELPFUL TIPS & SUGGESTIONS

STORING YOUR ENGINE

Storage Preparation

Proper storage preparation is essential for keeping your engine trouble-free and looking good. The following steps will help to keep rust and corrosion from impairing your engine's function and appearance, and will make the engine easier to start when you use it again.

Cleaning

If the engine has been running, allow it to cool for at least half an hour before cleaning. Clean all exterior surfaces, touch up any damaged paint, and coat other areas that may rust with a light film of oil.

NOTICE

Using a garden hose or pressure washing equipment can force water into the air cleaner or muffler opening. Water in the air cleaner will soak the air filter, and water that passes through the air filter or muffler can enter the cylinder, causing damage.

Fuel

NOTICE

Depending on the region where you operate your equipment, fuel formulations may deteriorate and oxidize rapidly. Fuel deterioration and oxidation can occur in as little as 30 days and may cause damage to the carburetor and/or fuel system. Please check with your servicing dealer for local storage recommendations.

Gasoline will oxidize and deteriorate in storage. Deteriorated gasoline will cause hard starting, and it leaves gum deposits that clog the fuel system. If the gasoline in your engine deteriorates during storage, you may need to have the carburetor and other fuel system components serviced or replaced.

The length of time that gasoline can be left in your fuel tank and carburetor without causing functional problems will vary with such factors as gasoline blend, your storage temperatures, and whether the fuel tank is partially or completely filled. The air in a partially filled fuel tank promotes fuel deterioration. Very warm storage temperatures accelerate fuel deterioration. Fuel deterioration problems may occur within a few months, or even less if the gasoline was not fresh when you filled the fuel tank.

Fuel system damage or engine performance problems resulting from neglected storage preparation are not covered under the *Distributor's Limited Warranty*.

You can extend fuel storage life by adding a gasoline stabilizer that is formulated for that purpose, or you can avoid fuel deterioration problems by draining the fuel tank and carburetor.

Adding a Gasoline Stabilizer to Extend Fuel Storage Life

When adding a gasoline stabilizer, fill the fuel tank with fresh gasoline. If only partially filled, air in the tank will promote fuel deterioration during storage. If you keep a container of gasoline for refueling, be sure that it contains only fresh gasoline.

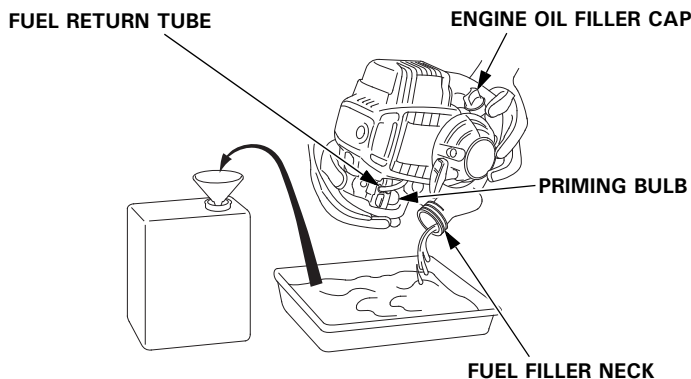
1. Add gasoline stabilizer following the manufacturer's instructions.
2. After adding a gasoline stabilizer, run the engine outdoors for 10 minutes to be sure that treated gasoline has replaced the untreated gasoline in the carburetor.
3. Stop the engine.

⚠ WARNING

Gasoline is highly flammable and explosive, and you can be burned or seriously injured when handling fuel.

- Stop the engine and keep heat, sparks, and flame away.
- Handle fuel only outdoors.
- Wipe up spills immediately.

1. Make sure the engine oil filler cap is tightened securely.
2. Remove the fuel filler cap and drain the fuel into an approved gasoline container by tipping the engine toward the fuel filler neck.
3. Press the priming bulb several times until there is no more fuel in the fuel return tube.
4. Tip the engine toward the fuel filler neck again to drain the fuel.



5. After all fuel has drained, reinstall the fuel filler cap securely.

Engine Oil

1. Change the engine oil (see page 9).
2. Loosen the 5 mm hex bolt, then remove the top cover (see page 11).
3. Remove the spark plug (see page 11).
4. Apply a couple of drops of clean engine oil into the cylinder.
5. Install the top cover temporarily.
6. Pull the starter grip several times to distribute the oil in the cylinder.
7. Remove the top cover, then reinstall the spark plug.
8. Install the top cover, and tighten the 5 mm hex bolt securely (see page 11).
9. Pull the starter grip slowly until resistance is felt.

Storage Precautions

If your engine will be stored with gasoline in the fuel tank and carburetor, it is important to reduce the hazard of gasoline vapor ignition. Select a well ventilated storage area away from any appliance that operates with a flame, such as a furnace, water heater, or clothes dryer. Also avoid any area with a spark-producing electric motor, or where power tools are operated. If possible, avoid storage areas with high humidity, because that promotes rust and corrosion.

Keep the engine level in storage. Tilting can cause fuel or oil leakage.

With the engine and exhaust system cool, cover the engine to keep out dust. A hot engine and exhaust system can ignite or melt some materials. Do not use sheet plastic as a dust cover.

A nonporous cover will trap moisture around the engine, promoting rust and corrosion.

Removal from Storage

Check your engine as described in the *BEFORE OPERATION CHECKS* section of this manual (see page 4).

If the fuel was drained during storage preparation, fill the tank with fresh gasoline. If you keep a container of gasoline for refueling, be sure it contains only fresh gasoline. Gasoline oxidizes and deteriorates over time, causing hard starting.

If the cylinder was coated with oil during storage preparation, the engine will smoke briefly at startup. This is normal.

TRANSPORTING

If the engine has been running, allow it to cool for at least 15 minutes before loading the engine-powered equipment on the transport vehicle. A hot engine and exhaust system can burn you and can ignite some materials.

TAKING CARE OF UNEXPECTED PROBLEMS

ENGINE WILL NOT START

Possible Cause	Correction
Choke open.	Move lever to CLOSED position unless the engine is warm.
Engine switch OFF. (on the equipment)	Turn engine switch to ON position.
Out of fuel.	Refuel (p. 8).
Bad fuel; engine stored without treating or draining gasoline, or refueled with bad gasoline.	Drain fuel tank and carburetor (p. 16). Refuel with fresh gasoline (p. 8).
Spark plug faulty, fouled, or improperly gapped.	Gap or replace spark plug (p. 11).
Spark plug wet with fuel (flooded engine).	Allow the spark plug to dry. After drying, install the spark plug and start the engine (p. 4).
Fuel filter restricted, carburetor malfunction, ignition malfunction, valves stuck, etc.	Take engine to your servicing dealer, or refer to shop manual.

ENGINE LACKS POWER

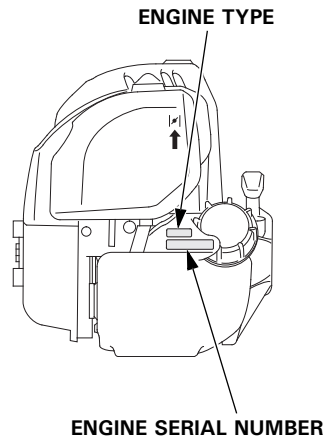
Possible Cause	Correction
Filter element restricted.	Clean or replace filter element (p. 10–11).
Bad fuel; engine stored without treating or draining gasoline, or refueled with bad gasoline.	Drain fuel tank and carburetor (p. 16). Refuel with fresh gasoline (P. 8).
Fuel filter restricted, carburetor malfunction, ignition malfunction, valves stuck, etc.	Take engine to your servicing dealer, or refer to shop manual.

TECHNICAL & CONSUMER INFORMATION

TECHNICAL INFORMATION

Serial Number Location

Record the engine serial number, type and purchase date in the spaces below. You will need this information when ordering parts and when making technical or warranty inquiries.



Engine serial number: _____ - _____

Engine type: _____

Date Purchased: ____ / ____ / ____

Remote Control Linkage

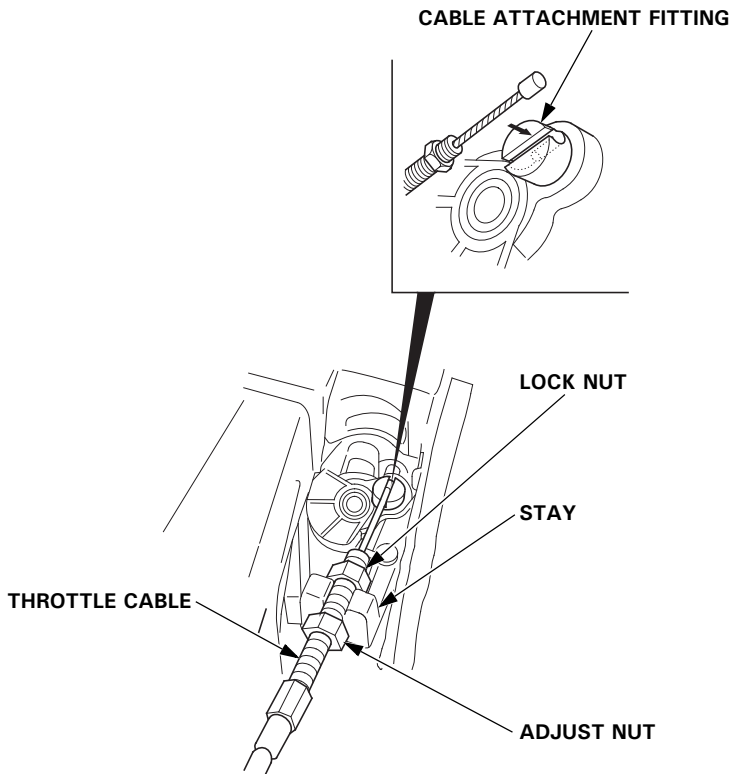
Standard/Tiller type:

The throttle control lever is provided with a fitting for cable attachment.

Remove the air cleaner cover (see page 10) for access to the throttle lever and cable fitting.

Attach the throttle cable as shown in the illustration.

To adjust the throttle cable, follow the equipment manufacturer's instructions.



Carburetor Modifications for High Altitude Operation

At high altitude, the standard carburetor air-fuel mixture will be too rich. Performance will decrease, and fuel consumption will increase. A very rich mixture will also foul the spark plug and cause hard starting. Operation at an altitude that differs from that at which this engine was certified, for extended periods of time, may increase emissions.

High altitude performance can be improved by specific modifications to the carburetor. If you always operate your engine at altitudes above 1,500 meters (5,000 feet), have your servicing dealer perform this carburetor modification. This engine, when operated at high altitude with the carburetor modifications for high altitude use, will meet each emission standard throughout its useful life.

Even with carburetor modification, engine horsepower will decrease about 3.5% for each 300 meter (1,000 foot) increase in altitude. The effect of altitude on horsepower will be greater than this if no carburetor modification is made.

NOTICE

When the carburetor has been modified for high altitude operation, the air-fuel mixture will be too lean for low altitude use. Operation at altitudes below 1,500 meters (5,000 feet) with a modified carburetor may cause the engine to overheat and result in serious engine damage. For use at low altitudes, have your servicing dealer return the carburetor to original factory specifications.

Emission Control System Information

Source of Emissions

The combustion process produces carbon monoxide, oxides of nitrogen, and hydrocarbons. Control of hydrocarbons and oxides of nitrogen is very important because, under certain conditions, they react to form photochemical smog when subjected to sunlight. Carbon monoxide does not react in the same way, but it is toxic.

Honda utilizes lean carburetor settings and other systems to reduce the emissions of carbon monoxide, oxides of nitrogen, and hydrocarbons.

The U.S., California Clean Air Act, and Environment Canada

EPA, California, and Canadian regulations require all manufacturers to furnish written instructions describing the operation and maintenance of emission control systems.

The following instructions and procedures must be followed in order to keep the emissions from your Honda engine within the emission standards.

Tampering and Altering

Tampering with or altering the emission control system may increase emissions beyond the legal limit. Among those acts that constitute tampering are:

- Removal or alteration of any part of the intake, fuel, or exhaust systems.
- Altering or defeating the governor linkage or speed-adjusting mechanism to cause the engine to operate outside its design parameters.

Problems That May Affect Emissions

If you are aware of any of the following symptoms, have your engine inspected and repaired by your servicing dealer.

- Hard starting or stalling after starting.
- Rough idle.
- Misfiring or backfiring under load.
- Afterburning (backfiring).
- Black exhaust smoke or high fuel consumption.

Replacement Parts

The emission control systems on your Honda engine were designed, built, and certified to conform with EPA, California and Canadian emission regulations. We recommend the use of genuine Honda parts whenever you have maintenance done.

These original-design replacement parts are manufactured to the same standards as the original parts, so you can be confident of their performance. The use of replacement parts that are not of the original design and quality may impair the effectiveness of your emission control system.

A manufacturer of an aftermarket part assumes the responsibility that the part will not adversely affect emission performance. The manufacturer or rebuilder of the part must certify that use of the part will not result in a failure of the engine to comply with emission regulations.

Maintenance

Follow the maintenance schedule on page 7. Remember that this schedule is based on the assumption that your machine will be used for its designed purpose. Sustained high-load or high-temperature operation, or use in unusually wet or dusty conditions, will require more frequent service.

Air Index

(Models certified for sale in California)

An Air Index Information hang tag/label is applied to engines certified to an emission durability time period in accordance with the requirements of the California Air Resources Board.

The bar graph is intended to provide you, our customer, the ability to compare the emissions performance of available engines. The lower the Air Index, the less pollution.

The durability description is intended to provide you with information relating to the engine's emission durability period. The descriptive term indicates the useful life period for the engine's emission control system. See your *Emission Control System Warranty* for additional information.

Descriptive Term	Applicable to Emissions Durability Period
Moderate	50 hours (0–80 cc, inclusive) 125 hours (greater than 80 cc)
Intermediate	125 hours (0–80 cc, inclusive) 250 hours (greater than 80 cc)
Extended	300 hours (0–80 cc, inclusive) 500 hours (greater than 80 cc) 1,000 hours (225 cc and greater)

The Air Index Information hang tag/label must remain on the engine until it is sold. Remove the hang tag before operating the engine.

Specifications

GX25 (Basic types)

Description code	G CART
Length × Width × Height	198 × 221 × 230 mm (7.8 × 8.7 × 9.1 in)
Dry mass [weight]	2.90 kg (6.39 lbs)
Engine type	4-stroke, overhead camshaft, single cylinder
Displacement [Bore × Stroke]	25.0 cm ³ (1.53 cu-in) [35.0 × 26.0 mm (1.4 × 1.0 in)]
Net power <small>(in accordance with SAE J1349*)</small>	0.72 kW (1.0 PS, 1.0 bhp) at 7,000 rpm
Max. Net torque <small>(in accordance with SAE J1349*)</small>	1.0 N·m (0.10 kgf·m, 0.74 lbf·ft) at 5,000 rpm
Engine oil capacity	0.08 L (0.08 US qt, 0.07 Imp qt)
Fuel tank capacity	Standard/Pump type : 0.53 L (0.140 US gal, 0.117 Imp gal) Tiller type : 0.54 L (0.143 US gal, 0.119 Imp gal)
Cooling system	Forced air
Ignition system	Transistor magneto
PTO shaft rotation	Counterclockwise

GX35 (Basic types)

Description code	G CAST
Length × Width × Height	205 × 234 × 240 mm (8.1 × 9.2 × 9.4 in)
Dry mass [weight]	3.46 kg (7.63 lbs)
Engine type	4-stroke, overhead camshaft, single cylinder
Displacement [Bore × Stroke]	35.8 cm ³ (2.18 cu-in) [39.0 × 30.0 mm (1.5 × 1.2 in)]
Net power <small>(in accordance with SAE J1349*)</small>	1.0 kW (1.4 PS, 1.3 bhp) at 7,000 rpm
Max. Net torque <small>(in accordance with SAE J1349*)</small>	1.6 N·m (0.16 kgf·m, 1.2 lbf·ft) at 5,500 rpm
Engine oil capacity	0.10 L (0.11 US qt, 0.09 Imp qt)
Fuel tank capacity	Standard/Pump type : 0.63 L (0.166 US gal, 0.139 Imp gal) Tiller type : 0.64 L (0.169 US gal, 0.141 Imp gal)
Cooling system	Forced air
Ignition system	Transistor magneto
PTO shaft rotation	Counterclockwise

* The power rating of the engine indicated in this document is the net power output tested on a production engine for the engine model and measured in accordance with SAE J1349 at 7,000 rpm (Net Power) and at GX25: 5,000 rpm, GX35: 5,500 rpm (Max. Net Torque). Mass production engines may vary from this value.

Actual power output for the engine installed in the final machine will vary depending on numerous factors, including the operating speed of the engine in application, environmental conditions, maintenance, and other variables.

Tuneup Specifications

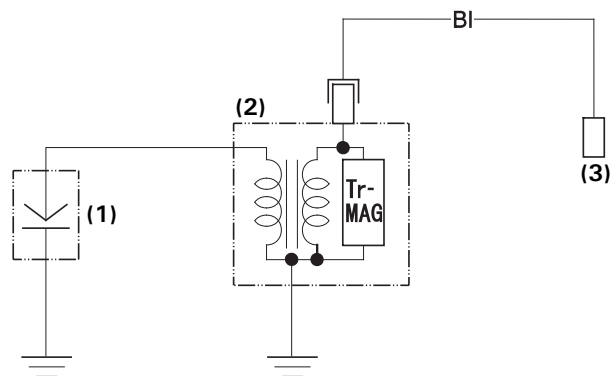
ITEM	SPECIFICATION	MAINTENANCE
Spark plug gap	0.6–0.7 mm (0.024–0.028 in)	Refer to page: 11
Idle speed	3,100 ± 200 rpm	See your authorized Honda dealer
Valve clearance (cold)	IN: 0.08 ± 0.02 mm EX: 0.11 ± 0.02 mm	
Other specifications	No other adjustments needed.	

Quick Reference Information

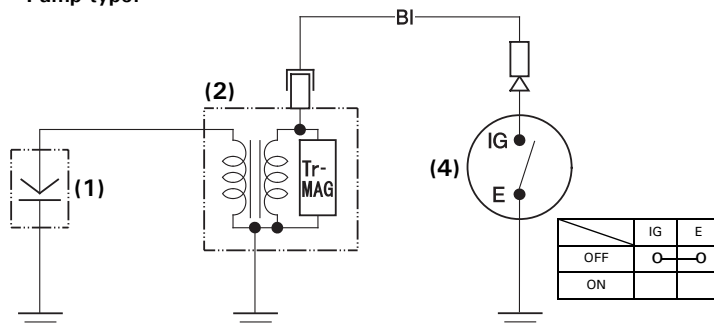
Fuel	Unleaded gasoline (Refer to page 8)	
	U.S.	Pump octane rating 86 or higher
	Except U.S.	Research octane rating 91 or higher Pump octane rating 86 or higher
Engine oil	SAE 10W-30, API SJ or later, for general use. Refer to page 8.	
Spark plug	CM5H (NGK) CMR5H (NGK)	
Maintenance	Before each use:	
	<ul style="list-style-type: none"> • Check engine oil level. Refer to page 9. • Check air filter. Refer to page 10. 	
	First 10 hours: Change engine oil. Refer to page 9.	
	Subsequent: Refer to the maintenance schedule on page 7.	

Wiring Diagrams

Standard/Tiller type:



Pump type:



- (1) SPARK PLUG
- (2) IGNITION COIL
- (3) Engine switch on the equipment powered by the engine.
- (4) ENGINE SWITCH

BI	Black
----	-------

CONSUMER INFORMATION

Warranty and Distributor/Dealer Locator Information

United States, Puerto Rico, and U.S. Virgin Islands:

Visit our website: www.honda-engines.com

Canada:

Call (888) 9HONDA9

or visit our website: www.honda.ca

For European Area:

Visit our website: <http://www.honda-engines-eu.com>

Customer Service Information

Servicing dealership personnel are trained professionals. They should be able to answer any question you may have. If you encounter a problem that your dealer does not solve to your satisfaction, please discuss it with the dealership's management. The Service Manager, General Manager, or Owner can help. Almost all problems are solved in this way.

United States, Puerto Rico, and U.S. Virgin Islands:

If you are dissatisfied with the decision made by the dealership's management, contact the Honda Regional Engine Distributor for your area.

If you are still dissatisfied after speaking with the Regional Engine Distributor, you may contact the Honda Office as shown.

All Other Areas:

If you are dissatisfied with the decision made by the dealership's management, contact the Honda Office as shown.

«Honda's Office»

When you write or call, please provide this information:

- Equipment manufacturer's name and model number that the engine is mounted on
- Engine model, serial number, and type (see page 17)
- Name of dealer who sold the engine to you
- Name, address, and contact person of the dealer who services your engine
- Date of purchase
- Your name, address and telephone number
- A detailed description of the problem

United States, Puerto Rico, and U.S. Virgin Islands:

American Honda Motor Co., Inc.

Power Equipment Division
Customer Relations Office
4900 Marconi Drive
Alpharetta, GA 30005-8847

Or telephone: (770) 497-6400, 8:30 am - 7:00 pm ET

Canada:

Honda Canada, Inc.

Please visit www.honda.ca
for address information

Telephone: (888) 9HONDA9 Toll free
(888) 946-6329

Facsimile: (877) 939-0909 Toll free

For European Area:

Honda Motor Europe Logistics NV.

European Engine Center

<http://www.honda-engines-eu.com>

All Other Areas:

Please contact the Honda distributor in your area for assistance.

HONDA
The Power of Dreams

INTRODUCTION

Nous vous remercions d'avoir porté votre choix sur un moteur Honda. Nous désirons vous aider à faire le meilleur usage de votre nouveau moteur et à l'utiliser en sécurité. Vous trouverez dans ce manuel des informations sur la manière d'y parvenir ; veuillez le lire attentivement avant d'utiliser le moteur. En cas de problème ou pour toute question sur le moteur, consultez un concessionnaire Honda agréé.

Toutes les informations de cette publication sont basées sur les dernières informations sur le produit disponibles au moment de l'impression. Honda Motor Co., Ltd. se réserve le droit de procéder à des modifications à tout moment sans préavis et sans obligation de sa part. Aucune partie de cette publication ne peut être reproduite sans autorisation écrite.

Ce manuel doit être considéré comme faisant partie du moteur et doit l'accompagner en cas de revente.

Pour de plus amples informations sur le démarrage, l'arrêt, l'utilisation et les réglages du moteur ou pour des instructions sur tout entretien spécial, consultez les instructions accompagnant l'équipement commandé par ce moteur.

Etats-Unis, Porto Rico et Iles Vierges américaines :
Nous vous suggérons de lire le bulletin de garantie afin de bien comprendre ce que la garantie couvre et vos responsabilités en tant que propriétaire. Le bulletin de garantie est un document séparé que vous avez dû en principe recevoir de votre concessionnaire.

MESSAGES DE SECURITE

Votre sécurité et celle des autres sont essentielles. Vous trouverez des messages de sécurité importants dans ce manuel et sur le moteur. Veuillez les lire attentivement.

Les messages de sécurité vous avertissent de risques potentiels de blessures pour vous et les autres. Chaque message de sécurité est précédé d'un symbole de mise en garde **▲** et de l'une des trois mentions DANGER, ATTENTION ou PRECAUTION.

Ces termes signifient :

▲ DANGER

Le non-respect de ces instructions ENTRAÎNERA des BLESSURES GRAVES voire MORTELLES.

▲ ATTENTION

Le non-respect de ces instructions est SUSCEPTIBLE d'entraîner des BLESSURES GRAVES voire MORTELLES.

▲ PRECAUTION

Le non-respect de ces instructions est SUSCEPTIBLE d'entraîner des BLESSURES.

Chaque message vous indique quel est le danger, ce qui peut arriver et ce que vous pouvez faire pour éviter ou réduire les blessures.

MESSAGES DE PREVENTION DES DOMMAGES

D'autres messages importants sont précédés du mot REMARQUE.

Cette mention signifie :

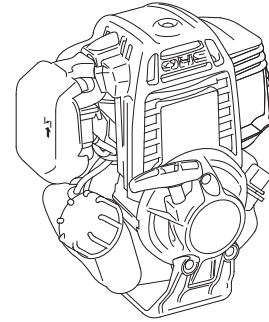
REMARQUE

Votre moteur ou d'autres biens peuvent être endommagés si vous ne suivez pas ces instructions.

L'objet de ces messages est de vous aider à ne pas causer de dommages au moteur, à d'autres biens ou à l'environnement.

HONDA

MANUEL DE L'UTILISATEUR GX25·GX35



▲ ATTENTION : ▲

L'échappement du moteur contient des substances chimiques déclarées responsables de cancers, de malformations congénitales ou d'autres anomalies de la reproduction par l'Etat de Californie.

Proposition 65 de l'Etat de Californie

Ce produit contient ou émet des substances chimiques déclarées responsables de cancers, de malformations congénitales ou d'autres anomalies de la reproduction par l'Etat de Californie.

SOMMAIRE

INTRODUCTION	1	PARE-ETINCELLES	13
MESSAGES DE SECURITE	1	DEPOSE/POSE DU TUYAU	
INFORMATIONS DE SECURITE ...	2	D'AIR CHAUD	15
EMPLACEMENT DE		CONSEILS ET SUGGESTIONS	
L'ETIQUETTE DE SECURITE	2	UTILS	15
EMPLACEMENT DES		REMISAGE DU MOTEUR	15
COMPOSANTS ET		TRANSPORT	16
COMMANDES	2	EN CAS DE PROBLEME	
PARTICULARITES	3	INATTENDU	16
CONTROLES AVANT		INFORMATIONS TECHNIQUES	
L'UTILISATION	4	ET INFORMATION DU	
UTILISATION	4	CONSOMMATEUR	17
CONSIGNES DE SECURITE		Emplacement du numéro	
D'UTILISATION	4	de série	17
DEMARRAGE DU MOTEUR	4	Tringlerie de commande	
REGLAGE DU REGIME		à distance	17
MOTEUR	5	Modifications du carburateur	
ARRET DU MOTEUR	6	pour une utilisation à haute	
ENTRETIEN DU MOTEUR	6	altitude	17
L'IMPORTANCE DE		Informations sur le système	
L'ENTRETIEN	6	antipollution	18
SECURITE D'ENTRETIEN	6	Indice atmosphérique	18
CONSIGNES DE SECURITE	7	Spécifications	19
PROGRAMME		Caractéristiques de mise au	
D'ENTRETIEN	7	point	19
REMPLEISSAGE EN		Informations de référence	
CARBURANT	8	rapide	19
HUILE MOTEUR	8	Schémas de câblage	19
Huile recommandée	8	INFORMATION DU	
Vérification du niveau		CONSOMMATEUR	20
d'huile	9	Informations sur la garantie	
Renouvellement d'huile	9	et le localisateur de	
FILTRE A AIR	10	distributeurs/	
Contrôle	10	concessionnaires	20
Nettoyage	10, 11	Informations d'entretien	
BOUGIE	11	pour le client	20
AILETTES DE			
REFROIDISSEMENT	12		
FILTRE A CARBURANT ET			
RESERVOIR DE			
CARBURANT	12		

INFORMATIONS DE SECURITE

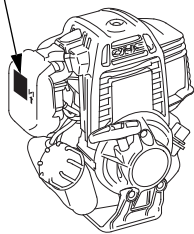
- Comprenez bien le fonctionnement de toutes les commandes et apprenez comment arrêter le moteur rapidement en cas d'urgence. Veillez à ce que l'opérateur reçoive des instructions adéquates avant l'utilisation de l'équipement.
- Ne pas autoriser des enfants à utiliser le moteur. Eloigner les enfants et les animaux de la zone d'utilisation.
- Les gaz d'échappement du moteur contiennent du monoxyde de carbone toxique. Ne pas faire tourner le moteur sans une aération adéquate et ne jamais l'utiliser à l'intérieur.
- Le moteur et les gaz d'échappement deviennent très chauds pendant le fonctionnement. Garder le moteur à au moins 1 mètre des bâtiments et des autres équipements pendant l'utilisation. Ne pas approcher de matières inflammables et ne rien placer sur le moteur pendant son fonctionnement.

EMPLACEMENT DE L'ETIQUETTE DE SECURITE

Cette étiquette met en garde contre les risques potentiels de blessures graves. Lire attentivement son contenu. Si l'étiquette se détache ou devient illisible, s'adresser à un concessionnaire réparateur Honda pour obtenir une étiquette de rechange.

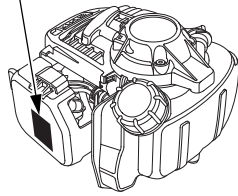
Type standard/pompe :

ETIQUETTE DE MISE EN GARDE



Type motoculteur :

ETIQUETTE DE MISE EN GARDE



Les illustrations de ce manuel sont basées sur le GX25.

- Les illustrations peuvent varier en fonction du type.

ETIQUETTE DE MISE EN GARDE	Pour l'UE	Excepté l'UE
<p>Thai Honda Mfg. Co., Ltd. MADE IN THAILAND</p>	apposée sur le produit	fournie avec le produit
<p>WARNING</p> <p>Gasoline is highly flammable and explosive. Turn engine off and let cool before refueling.</p> <p>The engine emits toxic carbon monoxide. Do not run in an enclosed area. Read Owner's Manual before operation.</p> <p>Thai Honda Mfg. Co., Ltd. MADE IN THAILAND</p>	fournie avec le produit	apposée sur le produit
<p>ATTENTION</p> <p>L'essence est très inflammable et explosive. Arrêter le moteur et le laisser refroidir avant de faire le plein d'essence.</p> <p>Le moteur produit les vapeurs nocives de monoxyde de carbone. Ne pas utiliser dans un local clos. Lire le manuel de propriétaire avant l'utilisation.</p> <p>JAPAN Thai Honda Mfg. Co., Ltd. MADE IN THAILAND</p>	fournie avec le produit	fournie avec le produit



L'essence est hautement inflammable et explosive. Avant de faire le plein de carburant, arrêter le moteur et le laisser refroidir.



Le moteur dégage du monoxyde de carbone qui est un gaz toxique. Ne jamais le faire fonctionner dans un endroit clos.



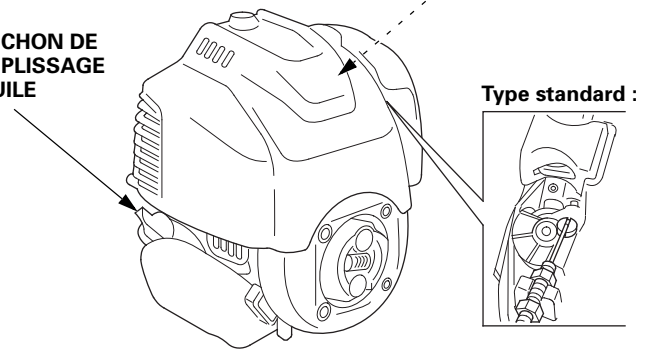
Lire le manuel de l'utilisateur avant l'utilisation.

EMPLACEMENT DES COMPOSANTS ET COMMANDES

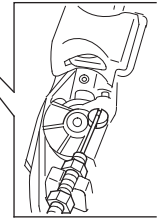
Type standard/pompe :

BOUCHON DE REMPLISSAGE D'HUILE

BOUGIE (sous le capot supérieur)



Type standard :



CAPOT SUPERIEUR

SILENCIEUX (sous le capot supérieur)

POIGNEE DE LANCEMENT

BOUCHON DE REMPLISSAGE D'HUILE/JAUGE

LANCEUR

FILTRE A AIR

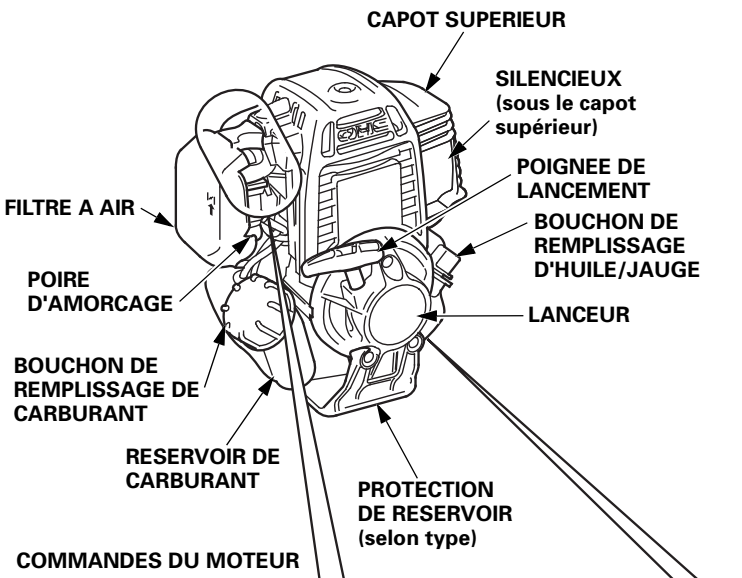
POIRE D'AMORCAGE

BOUCHON DE REMPLISSAGE DE CARBURANT

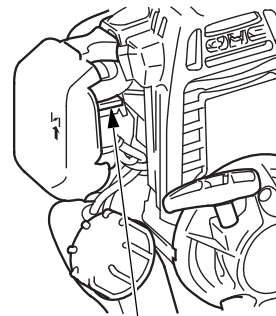
RESERVOIR DE CARBURANT

PROTECTION DE RESERVOIR (selon type)

COMMANDES DU MOTEUR



Type standard :

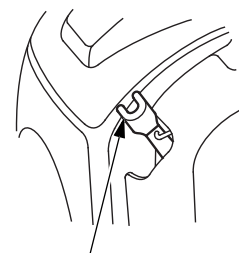


LEVIER DE STARTER

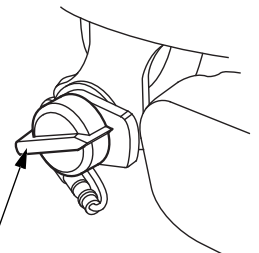


LEVIER DES GAZ

Type pompe :

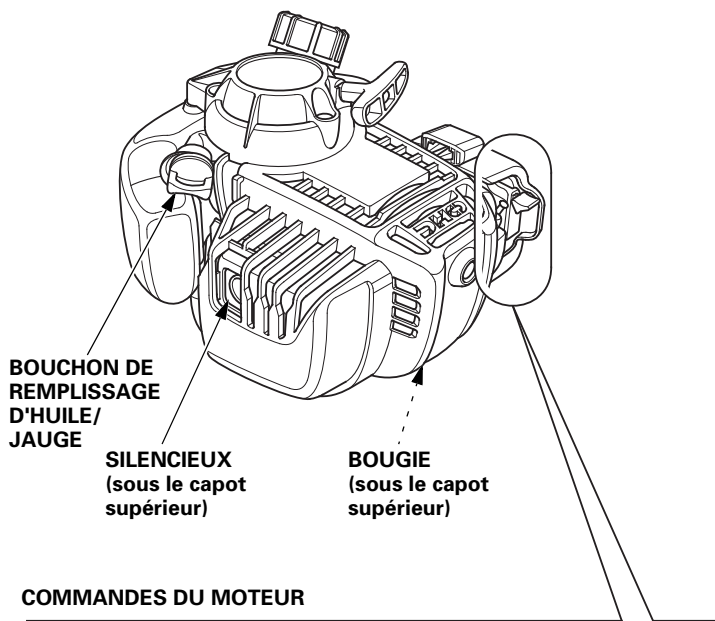
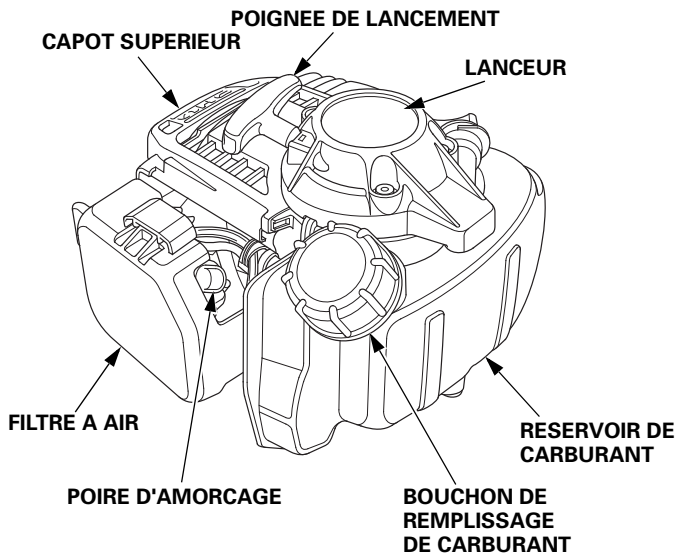


LEVIER DES GAZ



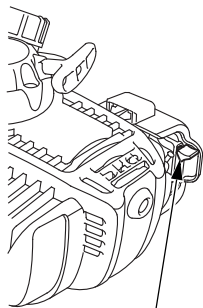
CONTACTEUR MOTEUR

Type motoculteur :

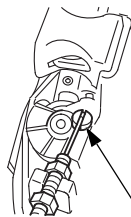


COMMANDES DU MOTEUR

GX25

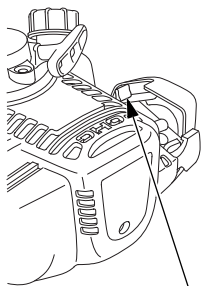


LEVIER DE STARTER

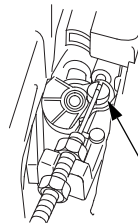


LEVIER DES GAZ

GX35



LEVIER DE STARTER



LEVIER DES GAZ

PARTICULARITES

Embrayage centrifuge (type standard/motoculteur)

L'embrayage centrifuge s'engage automatiquement et transmet la puissance lorsque le régime moteur dépasse 4 200 tr/min environ. L'embrayage se désengage au régime de ralenti.

REMARQUE

Ne pas faire tourner le moteur s'il n'est pas installé sur un équipement avec tambour et carter d'embrayage centrifuge car la force centrifuge mettrait les segments d'embrayage en contact avec le carter moteur et provoquerait des dommages.

CONTROLES AVANT L'UTILISATION

LE MOTEUR EST-IL PRET A FONCTIONNER ?

Pour la sécurité, le respect de la réglementation sur l'environnement et la longévité de l'équipement, il est important de consacrer quelques instants à vérifier l'état du moteur avant l'utilisation. Corriger tout problème constaté ou confier cette opération au concessionnaire avant l'utilisation.

⚠ ATTENTION

Un entretien incorrect de ce moteur ou l'absence de correction d'un problème avant l'utilisation peut provoquer une anomalie susceptible d'entraîner des blessures graves ou mortelles.

Toujours effectuer les contrôles avant l'utilisation avant chaque utilisation et corriger tout problème.

Avant de commencer les contrôles avant l'utilisation, s'assurer que le moteur est à l'horizontale et que le contacteur moteur se trouve sur la position ARRÊT.

Toujours vérifier les points suivants avant de mettre le moteur en marche :

Vérifier l'état général du moteur

1. Avant chaque utilisation, regarder autour du moteur et au-dessous afin de déceler tout signe de fuite d'huile ou d'essence.
2. Enlever toute saleté ou débris excessifs, tout particulièrement autour du silencieux et du lanceur.
3. Vérifier qu'il n'y a pas de signes de dommages.
4. S'assurer que tous les protecteurs et couvercles sont en place et que tous les écrous, boulons et vis sont serrés.

Vérifier le moteur

1. Vérifier le niveau de carburant (voir page 8). En démarrant avec un réservoir de carburant plein, on évitera ou on réduira les interruptions d'utilisation pour faire le plein.
2. Vérifier le niveau d'huile moteur (voir page 9). L'utilisation du moteur avec un niveau d'huile trop bas peut l'endommager.
3. Vérifier l'élément de filtre à air (voir page 10). Un élément de filtre à air sale limite le passage d'air vers le carburateur, ce qui diminue les performances du moteur.
4. Vérifier l'équipement commandé par ce moteur.

Pour les précautions et procédures à observer avant le démarrage du moteur, consulter les instructions accompagnant l'équipement commandé par ce moteur.

UTILISATION

CONSIGNES DE SECURITE D'UTILISATION

Avant d'utiliser le moteur pour la première fois, lire la section *INFORMATIONS DE SECURITE* à la page 2 et la section *CONTROLES AVANT L'UTILISATION*.

Dangers du monoxyde de carbone

Par sécurité, ne pas faire fonctionner le moteur dans un endroit clos tel qu'un garage. Les gaz d'échappement du moteur contiennent du monoxyde de carbone, un gaz toxique qui peut s'accumuler rapidement dans un endroit clos et provoquer une intoxication ou la mort.

⚠ ATTENTION

Les gaz d'échappement contiennent du monoxyde de carbone, un gaz toxique qui peut s'accumuler à des niveaux dangereux dans des endroits clos.

L'inhalation de monoxyde de carbone peut provoquer des évanouissements ou la mort.

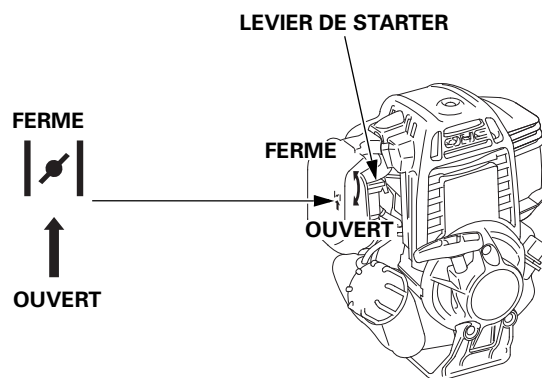
Ne jamais faire tourner le moteur dans un endroit clos, même partiellement, où il peut y avoir des personnes.

Pour les consignes de sécurité à observer au démarrage, lors de l'arrêt du moteur et pendant l'utilisation, consulter les instructions accompagnant l'équipement commandé par ce moteur.

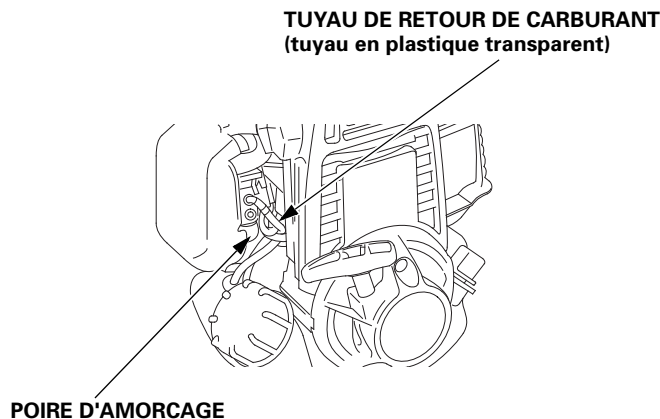
DEMARRAGE DU MOTEUR

1. Pour mettre en marche un moteur froid, placer le levier de starter sur la position FERME.

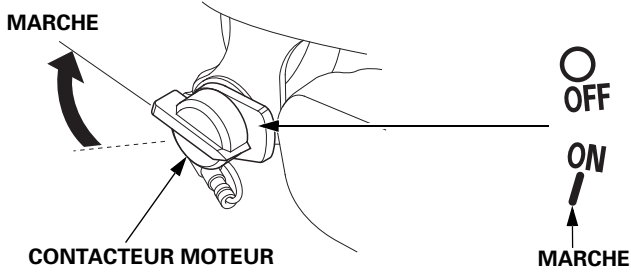
Pour remettre en marche un moteur chaud, laisser le levier de starter sur la position OUVERT.



2. Actionner la poire d'amorçage à plusieurs reprises jusqu'à ce que le carburant soit visible dans le tuyau de retour de carburant en plastique transparent.



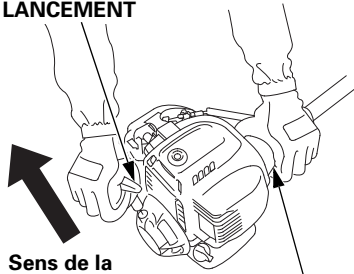
- Type standard/motoculteur : placer le contacteur moteur sur la position MARCHÉ sur l'équipement.
 - Type pompe : placer le contacteur moteur sur la position MARCHÉ.



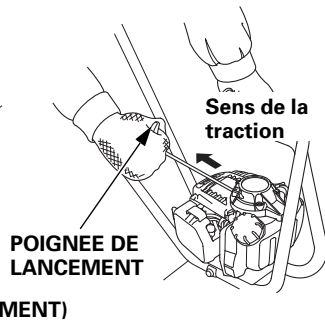
- Tirer doucement la poignée de lancement jusqu'à ce que l'on ressent une résistance, puis la tirer d'un coup sec dans le sens de la flèche comme sur la figure ci-dessous. Ramener doucement la poignée de lancement en arrière.

Type standard/pompe :

POIGNEE DE LANCEMENT



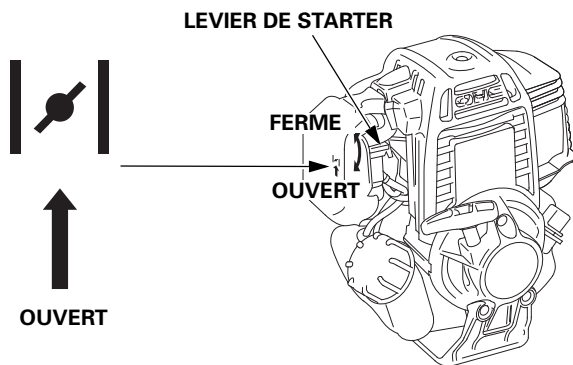
Type motoculteur :



REMARQUE

Ne pas laisser la poignée de lancement revenir brusquement contre le moteur. Accompagner doucement son mouvement de retour pour ne pas risquer d'endommager le lanceur.

- Si l'on a placé le levier de starter sur la position FERME pour mettre le moteur en marche, le ramener progressivement sur la position OUVERT à mesure que le moteur chauffe.



Redémarrage à chaud

Si l'on arrête le moteur un court instant après un fonctionnement à une température ambiante élevée, il se peut qu'il ne redémarre pas dès la première tentative.

Si nécessaire, procéder comme suit :

CONSIGNE DE SECURITE IMPORTANTE

Placer le contacteur moteur sur la position ARRET avant d'effectuer l'opération suivante. Ceci empêchera le moteur de démarrer et de tourner au régime maximum si le levier des gaz se trouve sur la position de régime MAXI. Si le moteur démarrait avec le levier des gaz sur la position de régime MAXI., l'équipement pourrait faire un bond en avant ou l'outil de coupe pourrait se lancer à la vitesse maximale. Il pourrait en résulter un accident.

Type motoculteur

- Placer le contacteur moteur sur la position ARRET sur l'équipement.
- Placer le levier de starter sur la position OUVERT.
- Maintenir le levier des gaz sur la position de régime MAXI. sur l'équipement.
- Tirer 3 à 5 fois sur la poignée de lancement.

Suivre la procédure DEMARRAGE DU MOTEUR à la page 4 et mettre le moteur en marche avec le levier de starter sur la position OUVERT.

Type pompe

- Placer le contacteur moteur sur la position ARRET.
- Placer le levier de starter sur la position OUVERT.
- Maintenir le levier des gaz sur la position de régime MAXI.
- Tirer 3 à 5 fois sur la poignée de lancement.

Suivre la procédure DEMARRAGE DU MOTEUR à la page 4 et mettre le moteur en marche avec le levier de starter sur la position OUVERT.

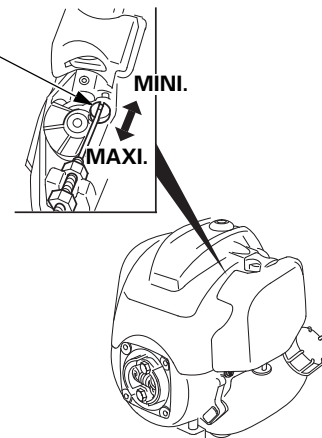
REGLAGE DU REGIME MOTEUR

Type standard/motoculteur :

Placer le levier des gaz sur la position correspondant au régime moteur désiré.

Le levier des gaz représenté ici est destiné à être relié à la commande à distance de l'équipement commandé par ce moteur. Pour les informations sur la commande à distance et les recommandations de régime moteur, consulter les instructions accompagnant l'équipement.

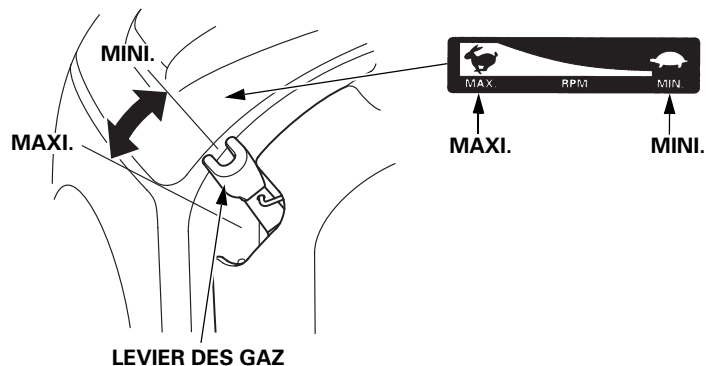
LEVIER DES GAZ



Type pompe :

Placer le levier des gaz sur la position correspondant au régime moteur désiré.

Pour les recommandations de régime moteur, consulter les instructions accompagnant l'équipement commandé par ce moteur.



ARRET DU MOTEUR

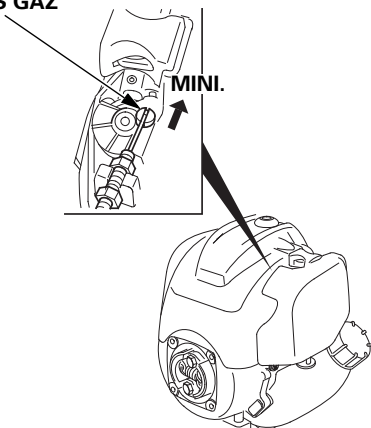
Type standard/motoculteur :

Pour arrêter le moteur en cas d'urgence, placer simplement le contacteur moteur sur ARRET sur l'équipement. Dans les conditions normales, utiliser la procédure suivante.

1. Placer le levier des gaz sur la position MINI.

Le levier des gaz représenté ici est destiné à être relié à la commande à distance de l'équipement commandé par ce moteur. Pour les informations sur la commande à distance et les recommandations de régime moteur, consulter les instructions accompagnant l'équipement.

LEVIER DES GAZ

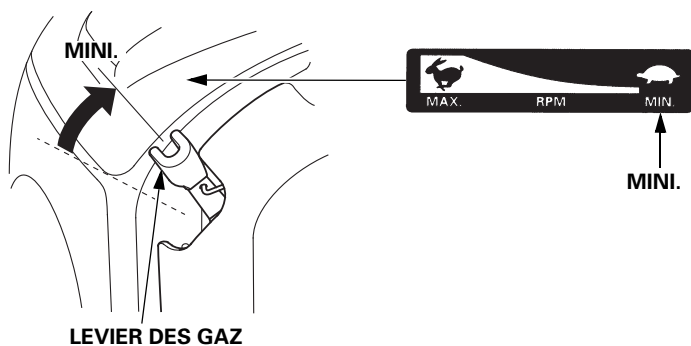


2. Placer le contacteur moteur sur la position ARRET sur l'équipement.

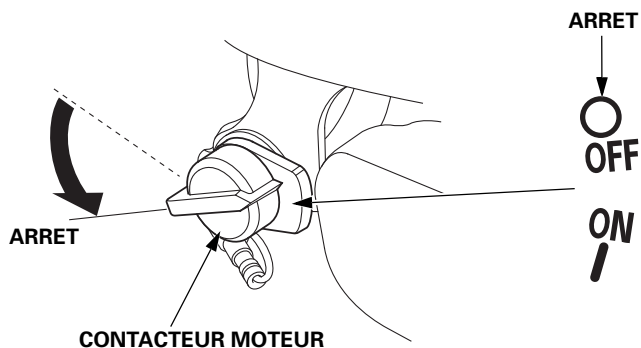
Type pompe :

Pour arrêter le moteur en cas d'urgence, placer simplement le contacteur moteur sur la position ARRET. Dans les conditions normales, utiliser la procédure suivante.

1. Placer le levier des gaz sur la position MINI.



2. Placer le contacteur moteur sur la position ARRET.



ENTRETIEN DU MOTEUR

L'IMPORTANT DE L'ENTRETIEN

Un bon entretien est essentiel pour un fonctionnement sûr, économique et sans problème. Il contribue également à réduire la pollution.

⚠ ATTENTION

Un entretien incorrect ou l'absence de correction d'un problème avant l'utilisation peut provoquer un dysfonctionnement susceptible d'entraîner des accidents graves voire mortels.

Toujours observer les recommandations et programmes de contrôle et d'entretien figurant dans ce manuel.

Pour permettre d'entretenir correctement le moteur, on trouvera aux pages suivantes un programme d'entretien, des procédures de contrôle de routine et des procédures d'entretien simples pouvant être effectuées avec des outils à main de base. D'autres opérations d'entretien plus difficiles ou demandant des outils spéciaux seront mieux exécutées par des professionnels et devront normalement être confiées à un technicien Honda ou à un autre mécanicien qualifié.

Le programme d'entretien s'applique à des conditions d'utilisation normales. Si l'on utilise le moteur dans des conditions sévères telles qu'un fonctionnement prolongé sous une charge élevée ou par haute température, ou dans des conditions anormalement humides ou poussiéreuses, demander au concessionnaire réparateur Honda des recommandations pour des besoins et un usage particuliers.

L'entretien, le remplacement ou la réparation des dispositifs et systèmes antipollution peuvent être exécutés par toute entreprise ou par tout technicien de réparation de moteurs utilisant des pièces "certifiées" aux normes EPA.

SECURITE D'ENTRETIEN

Certaines des consignes de sécurité les plus importantes sont indiquées ci-dessous. Il ne nous est toutefois pas possible de vous avertir de tous les dangers imaginables que vous pouvez rencontrer en exécutant l'entretien. Vous êtes seul juge de décider si vous devez ou non effectuer un travail donné.

⚠ ATTENTION

En n'observant pas correctement les instructions et précautions d'entretien, on s'expose à de graves blessures ou à un danger de mort.

Toujours observer les procédures et précautions de ce manuel.

CONSIGNES DE SECURITE

- Avant de commencer un entretien ou une réparation, s'assurer que le moteur est arrêté. Déconnecter le capuchon de bougie pour ne pas risquer un démarrage accidentel. Ceci éliminera plusieurs risques potentiels :
 - **Empoisonnement par le monoxyde de carbone provenant des gaz d'échappement du moteur.**
Utiliser le moteur à l'extérieur loin de toute fenêtre ou porte ouverte.
 - **Brûlures par des pièces chaudes.**
Laisser le moteur et le système d'échappement refroidir avant de les toucher.
 - **Blessures par des pièces mobiles.**
Ne faire tourner le moteur que si cela est indiqué dans les instructions.
 - Lire les instructions avant de commencer et s'assurer que l'on dispose de l'outillage et des compétences nécessaires.
 - Pour diminuer les risques d'incendie ou d'explosion, agir avec prudence lorsque l'on travaille à proximité de l'essence. Pour nettoyer les pièces, n'utiliser que des solvants ininflammables et non de l'essence. Ne pas approcher de cigarettes, étincelles ou flammes des pièces du système d'alimentation en carburant.
- Ne pas oublier que c'est le concessionnaire Honda agréé qui connaît le mieux le moteur et qu'il est parfaitement outillé pour son entretien et sa réparation.
- Pour une qualité et une fiabilité optimales, n'utiliser que des pièces Honda authentiques neuves ou leur équivalent pour la réparation et le remplacement.

PROGRAMME D'ENTRETIEN

PERIODICITE D'ENTRETIEN (3) Exécuter l'entretien selon la périodicité indiquée en mois ou en heures de fonctionnement, à la première des deux échéances.		A chaque utilisation	Premier mois ou 10 h	Tous les 3 mois ou 25 h	Tous les 6 mois ou 50 h	Tous les ans ou 100 h	Tous les 2 ans ou 300 h	Se reporter à la page
POSTE								
Huile moteur	Contrôle du niveau	o						9
	Renouvellement		o		o			
Filtre à air	Contrôle	o						10-11
	Nettoyage			o (1)				
	Remplacement					o (5)		
Bougie	Contrôle-réglage					o		11-12
	Remplacement						o	
Courroie de distribution	Contrôle		Toutes les 300 h (2) (4)					Manuel d'atelier
Pare-étincelles (selon type)	Nettoyage					o		13-14
Filtre d'échappement (selon type)	Nettoyage					o		14
Ailettes de refroidissement du moteur	Contrôle				o			12
Écrous, boulons, fixations (Resserrer si nécessaire)	Contrôle	o						4
					o (2)			Manuel d'atelier
Segments d'embrayage	Contrôle				o (2)			Manuel d'atelier
Régime de ralenti	Contrôle-réglage					o (2)		Manuel d'atelier
Jeu aux soupapes	Contrôle-réglage					o (2)		Manuel d'atelier
Chambre de combustion	Nettoyage		Toutes les 300 h (2)					Manuel d'atelier
Filtre à carburant	Nettoyage					o		12
Réservoir de carburant	Nettoyage					o		12
Conduites de carburant	Contrôle		Tous les 2 ans (remplacer si nécessaire) (2)					Manuel d'atelier
Tuyau d'huile	Contrôle		Tous les 2 ans (remplacer si nécessaire) (2)					Manuel d'atelier

- (1) En cas d'utilisation dans des endroits poussiéreux, augmenter la fréquence d'entretien.
- (2) Confier l'entretien de ces points au concessionnaire Honda à moins de disposer des outils appropriés et d'avoir les compétences requises en mécanique. Pour les procédures d'entretien, consulter le manuel d'atelier Honda.
- (3) Pour une utilisation commerciale, consigner le nombre d'heures de service afin de déterminer la périodicité d'entretien appropriée.
- (4) S'assurer que la courroie n'est pas fendillée ou ne présente pas une usure anormale et la remplacer si c'est le cas.
- (5) Remplacer uniquement le type élément de filtre à air en papier (GX35).

L'inobservation de ce programme d'entretien peut entraîner des problèmes non couverts par la garantie.

REPLISSAGE EN CARBURANT

Carburant recommandé

Essence sans plomb	
Etats-Unis	Indice d'octane pompe 86 ou plus
Hors Etats-Unis	Indice d'octane recherche 91 ou plus
	Indice d'octane pompe 86 ou plus

Ce moteur est certifié pour fonctionner avec de l'essence sans plomb ayant un indice d'octane pompe d'au moins 86 (ou un indice d'octane recherche d'au moins 91).

Faire le plein dans une zone bien aérée, moteur arrêté. Si le moteur vient de tourner, le laisser d'abord refroidir. Ne jamais faire le plein à l'intérieur d'un bâtiment où des vapeurs d'essence pourraient atteindre des flammes ou des étincelles.

On peut utiliser une essence sans plomb ne contenant pas plus de 10 % d'éthanol (E10) ou de 5 % de méthanol en volume. Le méthanol doit contenir des cosolvants et des inhibiteurs de corrosion. L'utilisation de carburants ayant une teneur en éthanol ou méthanol supérieure à celle indiquée ci-dessus peut occasionner des problèmes de démarrage ou de performances. Elle peut également endommager les pièces métalliques, en caoutchouc et en plastique du système d'alimentation en carburant. Les dommages au moteur ou problèmes de performances résultant de l'utilisation d'un carburant avec des pourcentages d'éthanol ou de méthanol supérieurs à ceux qui sont indiqués ci-dessus ne sont pas couverts par la garantie.

Si l'on ne compte utiliser l'équipement qu'occasionnellement ou par intermittence, consulter la section "Carburant" du chapitre "REMISAGE DU MOTEUR" (voir page 15) qui fournit des informations complémentaires sur la dégradation du carburant.

Ne jamais utiliser de l'essence viciée ou contaminée ou un mélange d'huile/essence. Eviter toute pénétration de saleté ou d'eau dans le réservoir de carburant.

⚠ ATTENTION

L'essence est très inflammable et explosive et l'on peut se brûler ou se blesser grièvement en faisant le plein.

- Arrêter le moteur et ne pas approcher de sources de chaleur, étincelles ou flammes.
- Ne faire le plein qu'à l'extérieur.
- Essuyer immédiatement tout déversement.

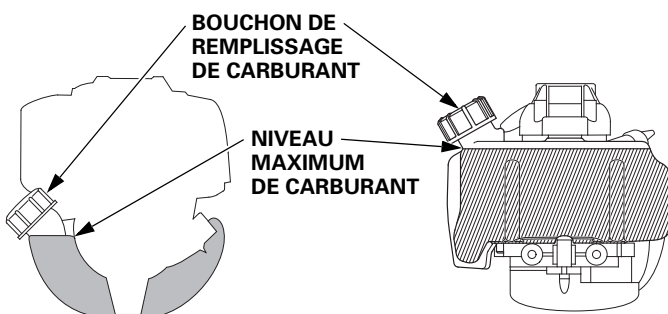
REMARQUE

Le carburant peut endommager la peinture et certains types de plastiques. Veiller à ne pas renverser de carburant lorsqu'on remplit le réservoir. Les dommages causés par du carburant renversé ne sont pas couverts par la Garantie limitée du distributeur.

1. Vérifier le niveau de carburant en regardant à travers le réservoir translucide.
2. Si le niveau de carburant est bas, faire le plein dans un endroit bien ventilé, moteur arrêté. Si le moteur vient de tourner, le laisser refroidir.

Type standard/pompe :

Type motoculteur :



Pour faire le plein de carburant, placer le moteur sur une surface horizontale avec le bouchon de remplissage de carburant vers le haut, comme illustré. Retirer le bouchon de remplissage de carburant et remplir le réservoir avec de l'essence jusqu'au bas du goulot de remplissage. Faire le plein avec précautions pour éviter de renverser du carburant. Ne pas trop remplir. Il ne doit pas y avoir d'essence dans le goulot de remplissage. Après avoir fait le plein, resserrer le bouchon de remplissage de carburant à fond.

Garder l'essence loin des veilleuses des appareils, barbecues, appareils électriques, outils électriques, etc.

Le carburant renversé ne fait pas seulement courir des risques d'incendie ; il est également nuisible pour l'environnement. Essuyer immédiatement tout déversement.

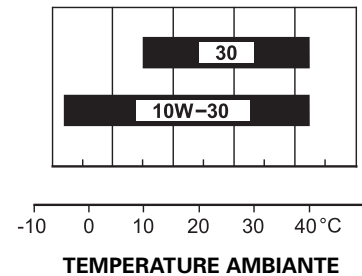
HUILE MOTEUR

L'huile est un facteur déterminant pour la performance et la durée de service.

Utiliser une huile détergente 4 temps pour automobile.

Huile recommandée

Utiliser une huile moteur 4 temps répondant au minimum aux prescriptions pour la classification de service API SJ ou ultérieure (ou équivalente). Toujours vérifier l'étiquette de service API sur le bidon d'huile pour s'assurer qu'elle porte bien la mention SJ ou ultérieure (ou équivalente).



L'indice SAE 10W-30 est préconisé pour un usage général. Les autres viscosités indiquées dans le tableau peuvent être utilisées lorsque la température moyenne du lieu d'utilisation se trouve dans la plage indiquée.

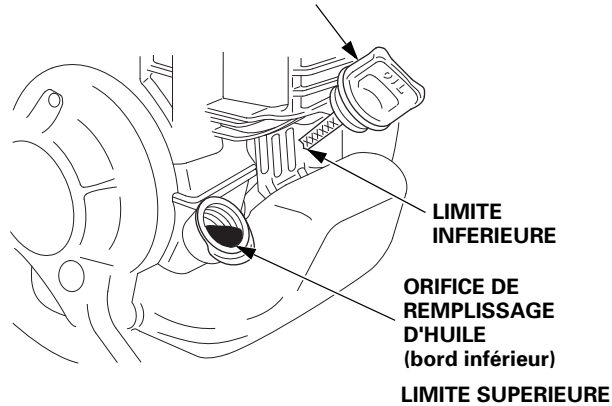
Vérification du niveau d'huile

Vérifier le niveau d'huile moteur avant chaque utilisation ou toutes les 10 heures dans le cas d'une utilisation continue.

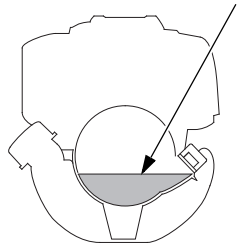
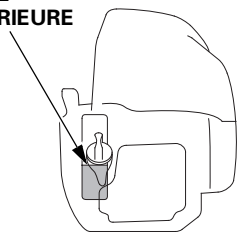
Contrôler le niveau d'huile moteur avec le moteur arrêté et à l'horizontale.

1. Retirer le bouchon de remplissage d'huile/jauge et l'essuyer.
2. Introduire le bouchon de remplissage d'huile/jauge sans le visser dans le goulot de remplissage d'huile, puis le retirer pour vérifier le niveau d'huile sur la jauge.
3. Si le niveau d'huile est proche du repère de limite minimum de la jauge ou au-dessous, faire l'appoint avec l'huile recommandée (voir page 8) jusqu'au bord inférieur de l'orifice de remplissage d'huile. Pour ne pas risquer un remplissage excessif ou insuffisant, s'assurer que le moteur est à l'horizontale comme illustré lorsque l'on fait l'appoint en huile.

BOUCHON DE REMPLISSAGE D'HUILE/JAUGE



LIMITE SUPERIEURE



4. Reposer le bouchon de remplissage d'huile/jauge et le serrer à fond.

REMARQUE

L'utilisation du moteur avec un niveau d'huile trop bas peut l'endommager. Ce type de dommage n'est pas couvert par la Garantie limitée du distributeur.

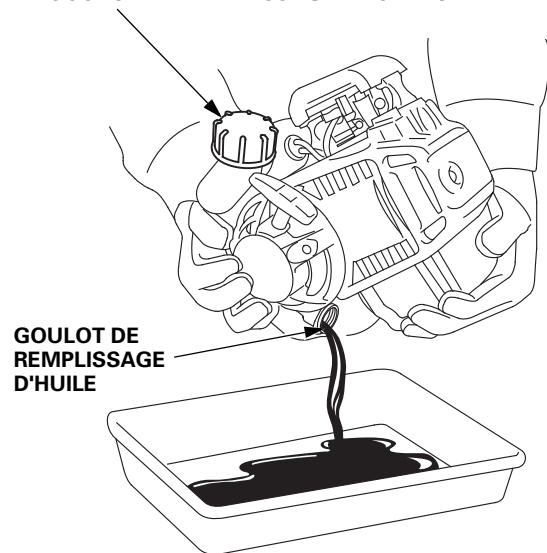
Renouvellement d'huile

Vidanger l'huile usagée lorsque le moteur est chaud. La vidange s'effectue plus rapidement et plus complètement lorsque l'huile est chaude.

1. S'assurer que le bouchon de remplissage de carburant est bien serré.
2. Placer un récipient approprié sous le moteur pour recueillir l'huile usagée.
3. Retirer le bouchon de remplissage d'huile/jauge et vidanger l'huile dans le récipient en inclinant le moteur vers le goulot de remplissage d'huile.

Se débarrasser de l'huile moteur usagée d'une manière compatible avec l'environnement. Nous conseillons de la porter dans un récipient fermé à la déchetterie locale ou à une station-service pour qu'elle soit recyclée. Ne pas la jeter aux ordures ni la déverser à terre ou dans un égout.

BOUCHON DE REMPLISSAGE DE CARBURANT

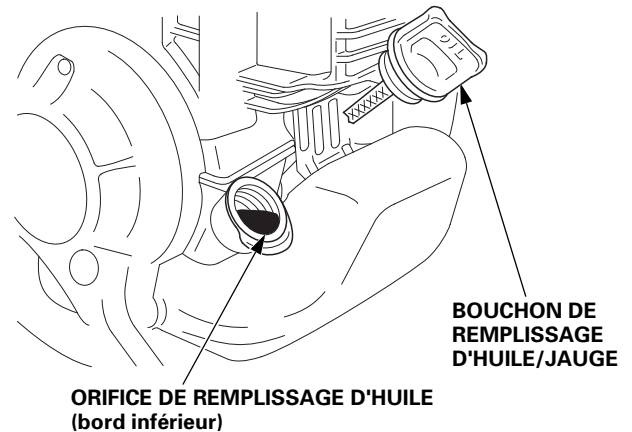


4. Avec le moteur à l'horizontale, faire l'appoint avec l'huile recommandée jusqu'au bord inférieur de l'orifice de remplissage d'huile (voir page 8).

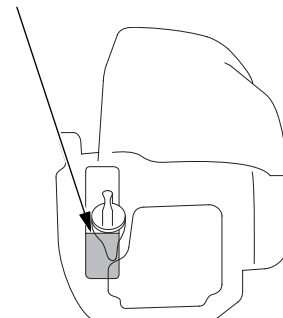
Une certaine quantité d'huile reste dans le moteur après la vidange. Lors du remplissage avec de l'huile neuve, commencer par moins de 80 cm³. Ajouter progressivement une quantité d'huile suffisante pour atteindre le bord inférieur de l'orifice de remplissage d'huile comme sur la figure ci-dessous.

REMARQUE

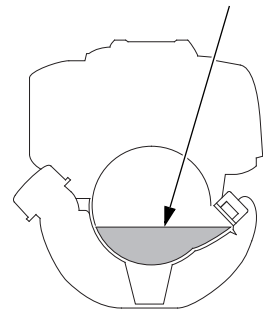
L'utilisation du moteur avec un niveau d'huile insuffisant ou excessif peut l'endommager. Ce type de dommage n'est pas couvert par la Garantie limitée du distributeur.



LIMITE SUPERIEURE



LIMITE SUPERIEURE



5. Reposer le bouchon de remplissage d'huile/jauge en le serrant à fond. Essuyer sans faute toute trace d'huile renversée.

FILTRE A AIR

Un filtre à air sale restreint le passage d'air vers le carburateur et réduit ainsi les performances du moteur. Si l'on utilise le moteur dans des endroits très poussiéreux, nettoyer l'élément du filtre à air plus souvent qu'il n'est indiqué dans le PROGRAMME D'ENTRETIEN.

REMARQUE

Si l'on utilise le moteur sans élément de filtre à air ou avec un élément de filtre à air endommagé, des saletés pénétreront dans le moteur qui s'usera alors rapidement. Ce type de dommage n'est pas couvert par la Garantie limitée du distributeur.

Contrôle (type élément de filtre à air en mousse)

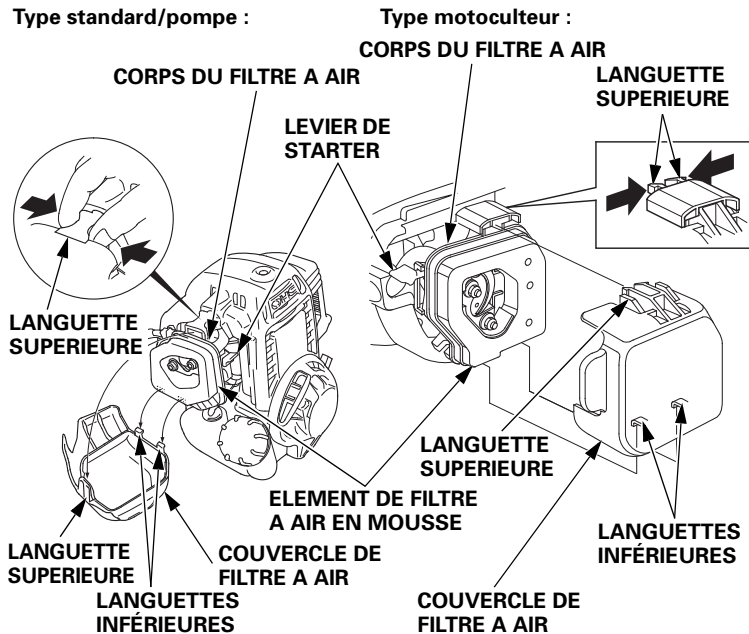
Enfoncer la languette de verrouillage en haut du couvercle de filtre à air et retirer le couvercle. Contrôler l'élément de filtre à air. Nettoyer ou remplacer l'élément de filtre à air s'il est sale. Toujours remplacer l'élément de filtre à air s'il est endommagé.

Pour les instructions relatives à l'entretien du filtre à air et des éléments filtrants, voir cette page.

Reposer l'élément de filtre à air et le couvercle de filtre à air.

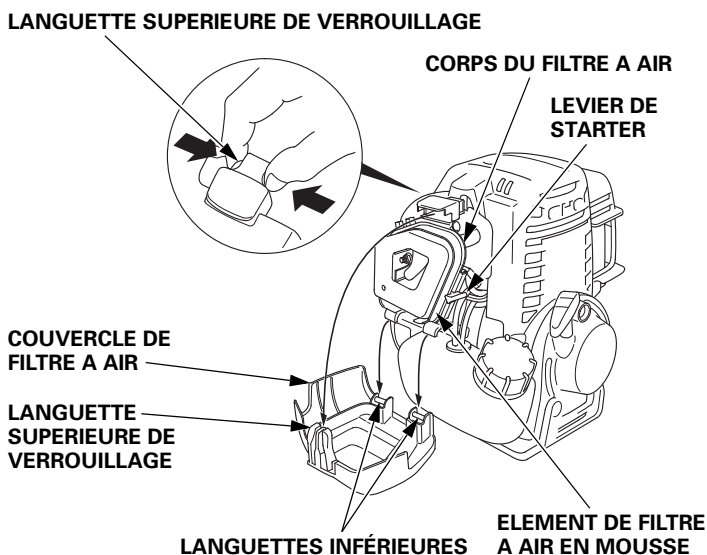
GX25

Type standard/pompe :



GX35

Type standard/motoculteur :



Nettoyage (type élément de filtre à air en mousse)

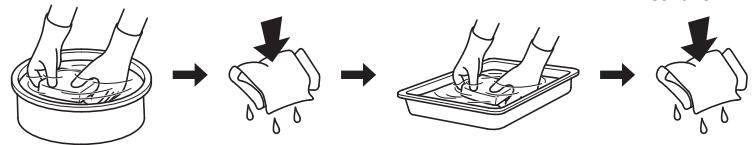
1. Nettoyer l'élément filtrant dans de l'eau savonneuse chaude, le rincer et le laisser sécher complètement. On pourra également le nettoyer dans un solvant ininflammable, puis le laisser sécher.
2. Tremper l'élément filtrant dans de l'huile moteur propre, puis en éliminer toute huile en excès. S'il reste trop d'huile dans l'élément, le moteur fumera au démarrage.
3. Essuyer la saleté du boîtier et du couvercle de filtre à air à l'aide d'un chiffon humide. Veiller à ce que la saleté ne pénètre pas dans le carburateur.

Nettoyer

Presser et sécher
Ne pas tordre.

Tremper dans l'huile

Presser
Ne pas tordre.



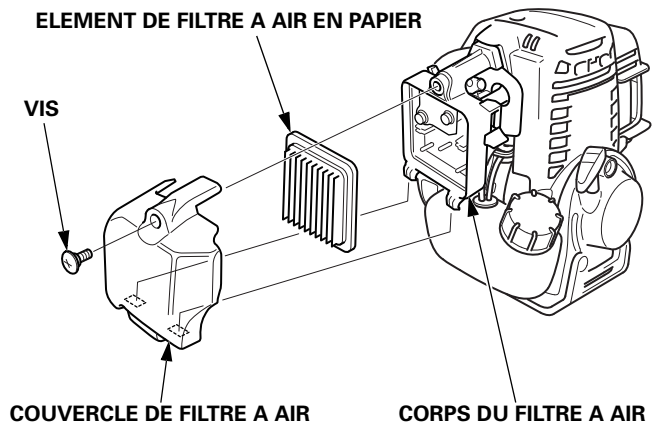
4. Reposer correctement l'élément filtrant et le couvercle de filtre à air.

Contrôle (type élément de filtre à air en papier)

Déposer la vis et le couvercle de filtre à air. Contrôler l'élément de filtre à air. Nettoyer ou remplacer l'élément de filtre à air s'il est sale. Toujours remplacer l'élément de filtre à air s'il est endommagé.

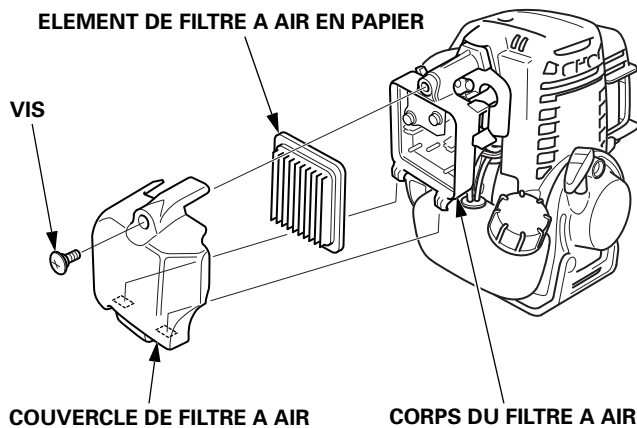
Pour les instructions de nettoyage, voir page 11.

Reposer l'élément de filtre à air et le couvercle de filtre à air.



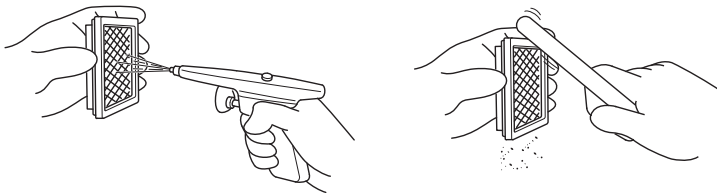
Nettoyage (type élément de filtre à air en papier)

1. Retirer la vis du couvercle de filtre à air et déposer le couvercle.
2. Déposer l'élément de filtre à air en papier du corps du filtre à air.



3. Contrôler l'élément de filtre à air et le remplacer s'il est endommagé. Toujours remplacer l'élément de filtre à air en papier selon la périodicité indiquée dans le programme d'entretien (voir page 7).
4. Nettoyer l'élément de filtre à air s'il doit être réutilisé.

Tapoter doucement l'élément de filtre à air en papier à plusieurs reprises sur une surface dure pour en détacher la saleté ou appliquer un jet d'air comprimé [200 kPa (2,0 kgf/cm²) maximum] à travers l'élément depuis le côté du corps du filtre à air. Ne jamais essayer de faire partir la saleté avec une brosse ; ceci ne ferait qu'enfoncer la saleté dans les fibres. Remplacer l'élément de filtre à air en papier s'il est excessivement sale.



5. Essuyer la saleté à l'intérieur du corps et du couvercle de filtre à air à l'aide d'un chiffon humide. Veiller à ce que la saleté ne pénètre pas dans le conduit d'air menant au carburateur.
6. Reposer l'élément de filtre à air en papier dans le corps du filtre à air.
7. Poser le couvercle de filtre à air et serrer la vis à fond.

BOUGIE

Bougie recommandée : CM5H (NGK), CMR5H (NGK)

La bougie recommandée possède l'indice thermique correct pour des températures normales de fonctionnement du moteur.

REMARQUE

Une bougie incorrecte peut provoquer des dommages au moteur.

Pour que les performances soient bonnes, la bougie doit avoir un écartement des électrodes correct et ne pas être encrassée.

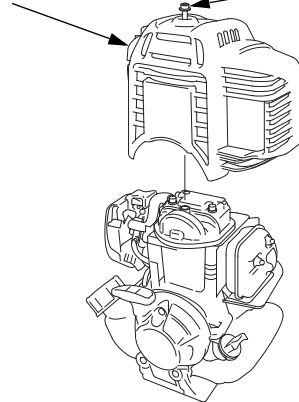
1. Déposer le capot supérieur.
Desserrer le boulon six pans de 5 mm avec une clé hexagonale, puis déposer le capot supérieur.

⚠ PRECAUTION

Ne pas faire fonctionner le moteur lorsque le capot supérieur a été retiré.
Ne pas tirer la poignée de lancement lorsque le capot supérieur a été retiré.

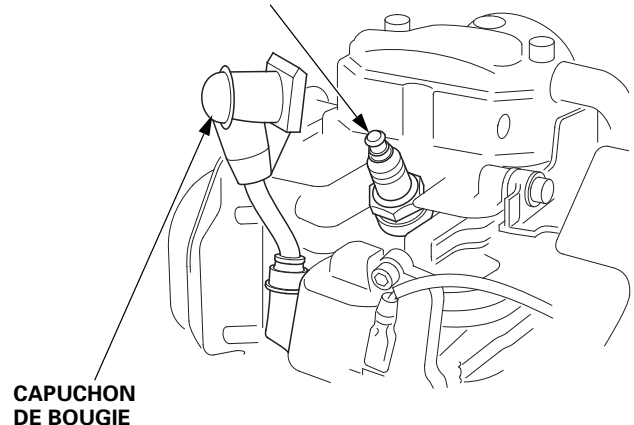
Vous risqueriez d'être blessé par les pièces rotatives ou brûlé par le silencieux.

CAPOT SUPERIEUR BOULON SIX PANS 5 mm



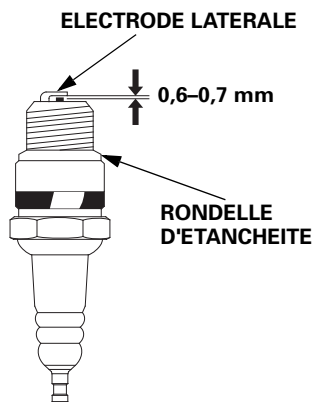
2. Déconnecter le capuchon de bougie et nettoyer toute saleté autour de la bougie.
3. Déposer la bougie avec une clé à bougie de 5/8 pouce.

BOUGIE



CAPUCHON DE BOUGIE

4. Contrôler la bougie. La remplacer si elle est endommagée ou très encrassée, si sa rondelle d'étanchéité est en mauvais état ou si son électrode est usée.



5. Mesurer l'écartement des électrodes avec un calibre d'épaisseur à fils. Corriger l'écartement si nécessaire en courbant prudemment l'électrode latérale. L'écartement doit être de : 0,6-0,7 mm

6. Reposer la bougie avec précaution à la main pour éviter de foirer son filetage.

7. Lorsque la bougie a touché son siège, continuer à la serrer avec une clé à bougie de 5/8 pouce pour comprimer la rondelle d'étanchéité.

Si la bougie est neuve, la serrer de 1/2 tour après qu'elle a touché son siège pour comprimer la rondelle.

Si elle a déjà été utilisée, la serrer de 1/8 à 1/4 de tour après qu'elle a touché son siège pour comprimer la rondelle.

REMARQUE

Une bougie insuffisamment serrée peut surchauffer et endommager le moteur.

Un serrage excessif de la bougie peut endommager le filetage dans la culasse.

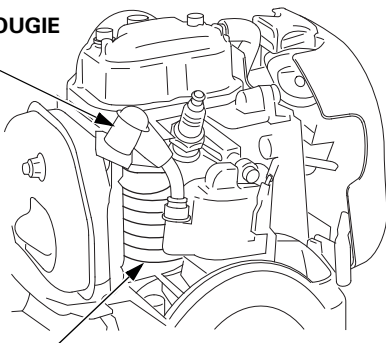
8. Fixer le capuchon de bougie sur la bougie.
9. Reposer le capot supérieur et serrer le boulon six pans de 5 mm à fond avec une clé hexagonale.

AILETTES DE REFROIDISSEMENT

Contrôle

1. Desserrer le boulon six pans de 5 mm, puis déposer le capot supérieur.
2. Déconnecter le capuchon de bougie.
3. Contrôler les ailettes de refroidissement du moteur et retirer les débris si nécessaire.

CAPUCHON DE BOUGIE



AILETTES DE REFROIDISSEMENT

4. Reconnecter le capuchon de bougie.
5. Reposer le capot supérieur et serrer à fond le boulon six pans de 5 mm.

FILTRE A CARBURANT ET RESERVOIR DE CARBURANT

Contrôle du filtre à carburant et nettoyage du réservoir de carburant

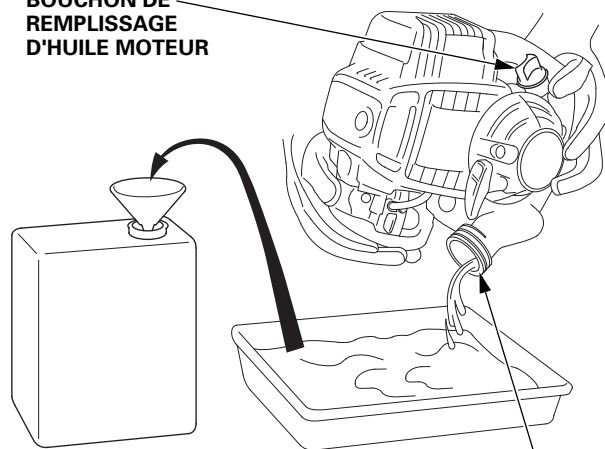
⚠ ATTENTION

L'essence est très inflammable et explosive et l'on peut se brûler ou se blesser grièvement en la manipulant.

- Arrêter le moteur et ne pas approcher de sources de chaleur, étincelles ou flammes.
- Ne manipuler le carburant qu'à l'extérieur.
- Essuyer immédiatement tout déversement.

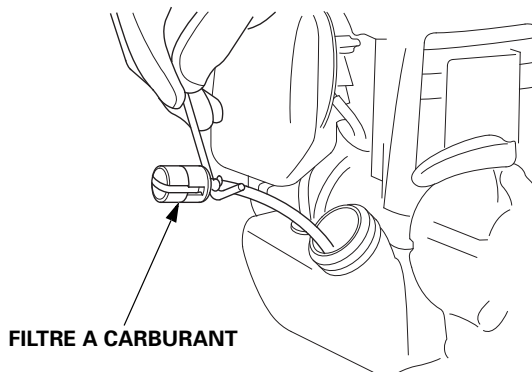
1. S'assurer que le bouchon de remplissage d'huile moteur est bien serré.
2. Retirer le bouchon de remplissage de carburant et vidanger le carburant dans un récipient homologué pour l'essence en inclinant le moteur vers le goulot de remplissage de carburant.

BOUCHON DE REMPLISSAGE D'HUILE MOTEUR



GOULOT DE REMPLISSAGE DE CARBURANT

3. Sortir le filtre à carburant par le goulot de remplissage de carburant en accrochant le tuyau de carburant noir avec un morceau de fil de fer, un trombone partiellement redressé par exemple.
4. Contrôler le filtre à carburant. Si le filtre à carburant est sale, le laver doucement dans un solvant ininflammable ou à point d'éclair élevé. Si le filtre à carburant est trop encrassé, le remplacer.



5. Enlever l'eau et la saleté du réservoir de carburant en rinçant l'intérieur avec un solvant ininflammable ou à point d'éclair élevé.
6. Introduire le filtre à carburant dans le réservoir de carburant et serrer le bouchon de remplissage de carburant à fond.

PARE-ETINCELLES (selon type)

Selon le type de moteur, le pare-étincelles peut être une pièce standard ou en option. Dans certaines régions, il n'est pas autorisé d'utiliser un moteur sans pare-étincelles. Se renseigner sur la réglementation locale. Un pare-étincelles est en vente chez les concessionnaires Honda agréés.

Le pare-étincelles doit être entretenu toutes les 100 heures pour pouvoir continuer à fonctionner de la manière prévue.

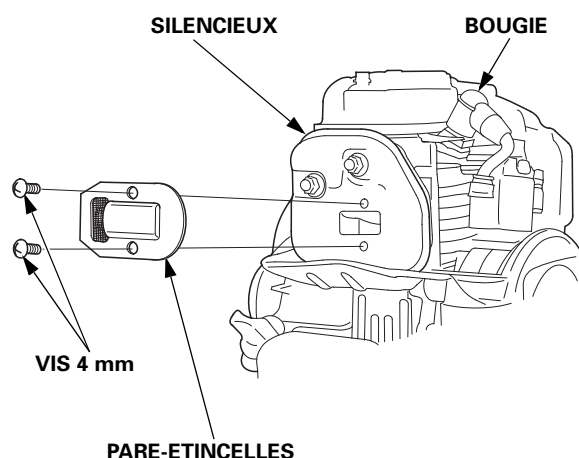
Si le moteur vient de tourner, le silencieux sera chaud. Le laisser se refroidir avant de contrôler le pare-étincelles.

GX25

Type standard/pompe :

Dépose du pare-étincelles

1. Desserrer le boulon six pans de 5 mm, puis déposer le capot supérieur (voir page 11).
2. Retirer les vis de 4 mm du pare-étincelles et déposer le pare-étincelles du silencieux.

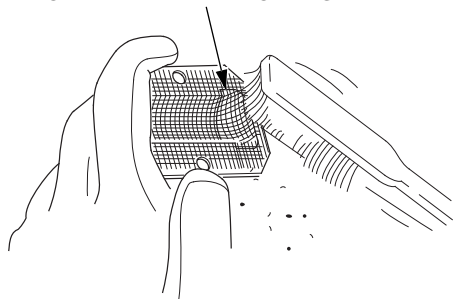


Nettoyage et contrôle du pare-étincelles

1. Utiliser une brosse pour retirer la calamine de l'écran du pare-étincelles. Veiller à ne pas endommager l'écran.

Le pare-étincelles ne doit pas être cassé ou troué. Remplacer le pare-étincelles s'il est endommagé.

ECRAN DE PARE-ETINCELLES



2. Reposer le pare-étincelles dans l'ordre inverse du démontage.

Lorsqu'on pose le pare-étincelles, son orifice de sortie doit être dirigé vers le côté opposé à la bougie.

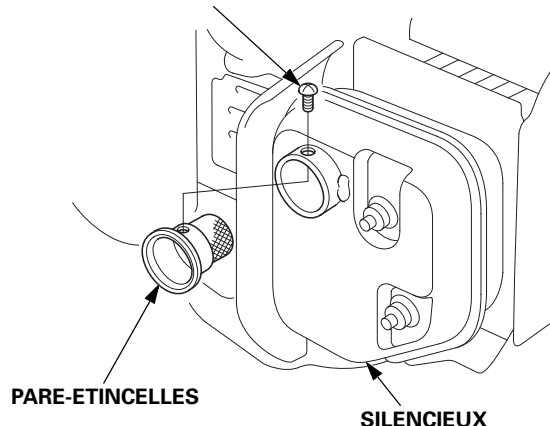
3. Reposer le capot supérieur et serrer à fond le boulon six pans de 5 mm (voir page 11).

Type motoculteur

Dépose du pare-étincelles

1. Desserrer le boulon six pans de 5 mm, puis déposer le capot supérieur (voir page 11).
2. Retirer la vis autotaraudeuse de 3 x 6 mm du pare-étincelles et déposer le pare-étincelles du silencieux.

VIS AUTOTARAUDEUSE 3x6 mm

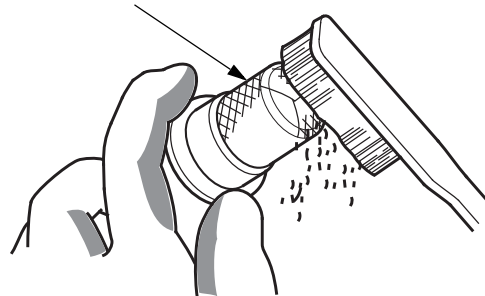


Nettoyage et contrôle du pare-étincelles

1. Utiliser une brosse pour retirer la calamine de l'écran du pare-étincelles. Veiller à ne pas endommager l'écran.

Le pare-étincelles ne doit pas être cassé ou troué. Remplacer le pare-étincelles s'il est endommagé.

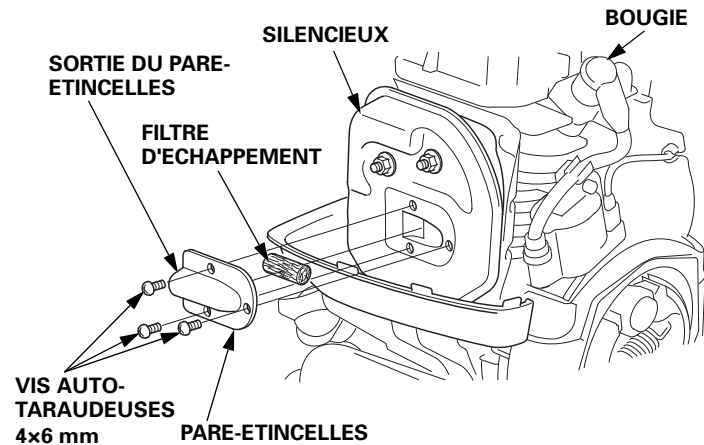
ECRAN DE PARE-ETINCELLES



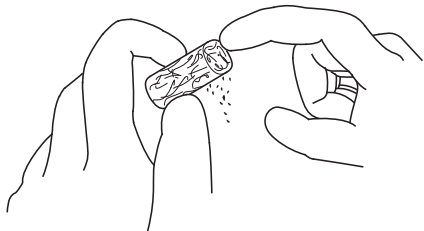
2. Reposer le pare-étincelles dans l'ordre inverse du démontage.
3. Reposer le capot supérieur et serrer à fond le boulon six pans de 5 mm (voir page 11).

Type standard :**Dépose du pare-étincelles**

1. Desserrer le boulon six pans de 5 mm, puis déposer le capot supérieur (voir page 11).
2. Déposer les vis autotaraudeuses de 4 × 6 mm du pare-étincelles et déposer le pare-étincelles et le filtre d'échappement du silencieux.

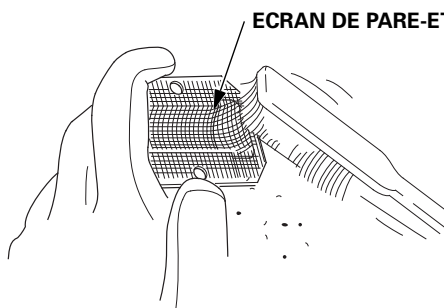
**Nettoyage et contrôle du filtre d'échappement**

Pincer le filtre d'échappement et le tapoter légèrement avec un doigt pour le décalaminer. Ne pas le tapoter trop fortement. Le filtre d'échappement ne doit pas être cassé ou troué. S'il est endommagé ou excessivement encrassé, confier son entretien au concessionnaire Honda.

**Nettoyage et contrôle du pare-étincelles**

1. Utiliser une brosse pour retirer la calamine de l'écran du pare-étincelles. Veiller à ne pas endommager l'écran.

Le pare-étincelles ne doit pas être cassé ou troué. Remplacer le pare-étincelles s'il est endommagé.



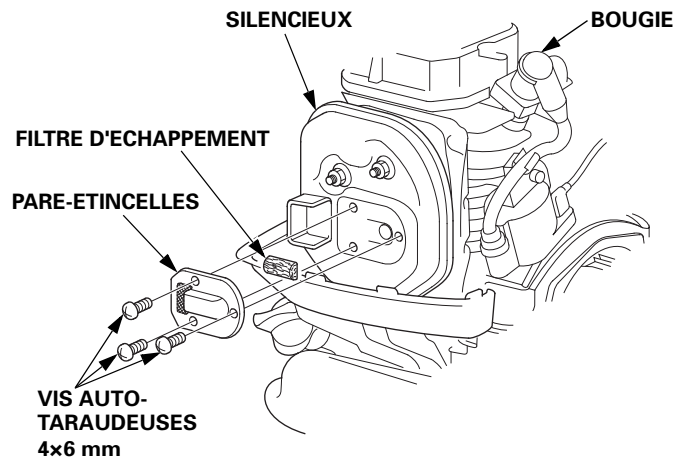
2. Reposer le filtre d'échappement et le pare-étincelles dans l'ordre inverse du démontage.

Lorsqu'on pose le pare-étincelles, son orifice de sortie doit être dirigé vers le côté opposé à la bougie.

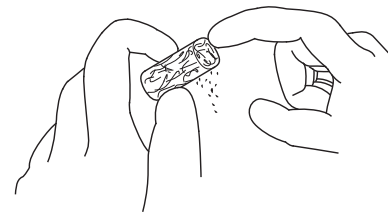
3. Reposer le capot supérieur et serrer à fond le boulon six pans de 5 mm (voir page 11).

Type motoculteur :**Dépose du pare-étincelles**

1. Desserrer le boulon six pans de 5 mm, puis déposer le capot supérieur (voir page 11).
2. Retirer les vis autotaraudeuses de 4 × 6 mm du pare-étincelles et déposer le pare-étincelles du silencieux.

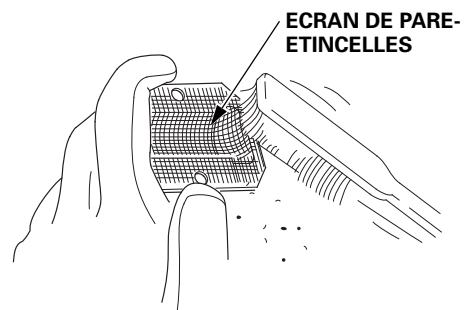
**Nettoyage et contrôle du filtre d'échappement**

Pincer le filtre d'échappement et le tapoter légèrement avec un doigt pour le décalaminer. Ne pas le tapoter trop fortement. Le filtre d'échappement ne doit pas être cassé ou troué. S'il est endommagé ou excessivement encrassé, confier son entretien au concessionnaire Honda.

**Nettoyage et contrôle du pare-étincelles**

1. Utiliser une brosse pour retirer la calamine de l'écran du pare-étincelles. Veiller à ne pas endommager l'écran.

Le pare-étincelles ne doit pas être cassé ou troué. Remplacer le pare-étincelles s'il est endommagé.



2. Reposer le filtre d'échappement et le pare-étincelles dans l'ordre inverse du démontage.

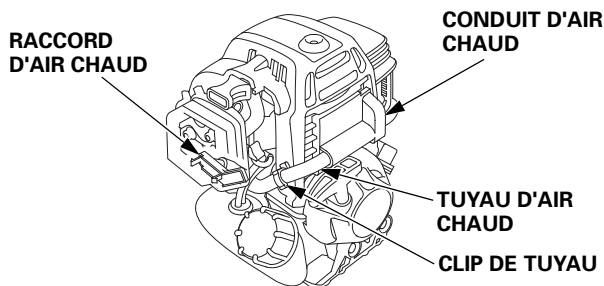
Lorsqu'on pose le pare-étincelles, son orifice de sortie doit être dirigé vers le côté opposé à la bougie.

3. Reposer le capot supérieur et serrer à fond le boulon six pans de 5 mm (voir page 11).

DEPOSE/POSE DU TUYAU D'AIR CHAUD (selon type)

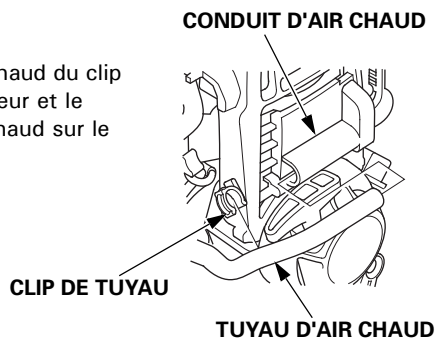
REMARQUE

- Utiliser normalement le moteur avec le tuyau d'air chaud en place sans quoi il pourrait en résulter un givrage.
- Lorsque la température ambiante est élevée (30 °C ou plus), retirer sans faute le tuyau d'air chaud selon la procédure suivante avant d'utiliser le moteur.
Faire fonctionner le moteur avec le tuyau d'air chaud en place pourrait provoquer une surchauffe du moteur.
- Dégager le tuyau d'air chaud du clip de tuyau et le débrancher du conduit d'air chaud avant de déposer le capot supérieur pour l'entretien, etc. Après avoir remis en place le capot supérieur, reposer correctement le tuyau d'air chaud dans sa position initiale.



1. Déposer le couvercle de filtre à air (voir page 10).

2. Dégager le tuyau d'air chaud du clip au niveau du capot moteur et le sortir du conduit d'air chaud sur le capot moteur.

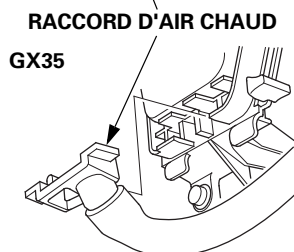
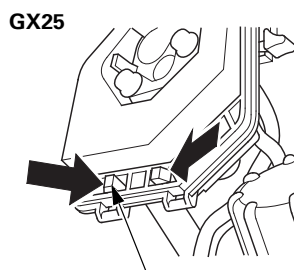


3. Retirer le raccord d'air chaud du boîtier de filtre à air.

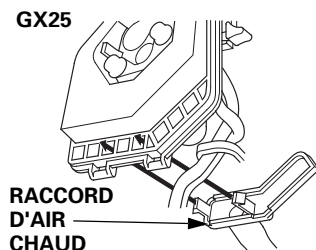
GX25 : appuyer sur l'ergot et l'enfoncer profondément à l'intérieur pour pouvoir retirer le raccord d'air chaud du boîtier de filtre à air.

GX35 : déposer le raccord d'air chaud du boîtier de filtre à air en le tirant vers soi.

4. Déposer le tuyau d'air chaud avec le raccord en place sur le tuyau. Remiser les pièces déposées avec soin dans un endroit adapté. Veiller à ne pas les égarer.



5. Poser le tuyau d'air chaud et le raccord d'air chaud dans l'ordre inverse de la dépose. (GX25 uniquement) Poser le raccord d'air chaud sur le boîtier de filtre à air dans la position indiquée.



CONSEILS ET SUGGESTIONS UTILES

REMISAGE DU MOTEUR

Préparation au remisage

Une préparation au remisage appropriée est essentielle pour maintenir le moteur en bon état de fonctionnement et lui conserver son bel aspect. Les opérations suivantes contribueront à empêcher que la rouille et la corrosion n'affectent le fonctionnement et l'aspect du moteur et à faciliter le démarrage du moteur lors de sa remise en service.

Nettoyage

Si le moteur vient de tourner, le laisser se refroidir pendant au moins une demi-heure avant le nettoyage. Nettoyer toutes les surfaces extérieures, faire les retouches de peinture nécessaires et enduire toutes les parties susceptibles de rouiller d'une légère couche d'huile.

REMARQUE

L'utilisation d'un tuyau d'arrosage ou d'un dispositif de lavage sous pression peut faire pénétrer de l'eau dans le filtre à air ou dans l'ouverture du silencieux. L'eau dans le filtre à air imbibe alors l'élément filtrant, et l'eau qui traverse l'élément filtrant ou le silencieux peut pénétrer dans le cylindre et causer des dommages.

Carburant

REMARQUE

Selon la formulation de carburant du lieu d'utilisation de l'équipement, le carburant peut se dégrader et s'oxyder rapidement. La dégradation et l'oxydation du carburant peuvent se produire en seulement 30 jours et provoquer des dommages sur le carburateur ou sur le système d'alimentation en carburant. Pour les recommandations sur le remisage local, se renseigner auprès du concessionnaire.

L'essence s'oxyde et se dégrade lors du remisage. Une essence dégradée rend le démarrage difficile et laisse des dépôts de gomme susceptibles de boucher le système d'alimentation en carburant. Si l'essence dans le moteur se dégrade pendant le remisage, une intervention sur le carburateur et d'autres pièces du système d'alimentation en carburant ou leur remplacement peut être nécessaire. Le temps que l'essence peut rester dans votre réservoir de carburant et dans le carburateur sans causer de problèmes de fonctionnement peut varier en fonction de facteurs tels que les mélanges d'essence, les températures de stockage, ainsi que le niveau de remplissage, partiel ou complet, du réservoir. L'air dans un réservoir de carburant partiellement rempli favorise la dégradation du carburant. Des températures de stockage très élevées accélèrent la détérioration du carburant. Des problèmes de dégradation du carburant peuvent survenir après quelques mois ou même plus rapidement si l'essence utilisée pour remplir le réservoir n'était pas fraîche.

Les dommages du système d'alimentation en carburant ou les problèmes de performances du moteur qui résultent d'une mauvaise préparation au remisage ne sont pas couverts par la *Garantie limitée du distributeur*.

On peut prolonger la durée de vie du carburant lors du remisage en ajoutant un stabilisateur d'essence spécialement formulé à cet effet ou l'on peut éviter les problèmes de dégradation du carburant en vidangeant le réservoir de carburant et le carburateur.

Ajout d'un stabilisateur d'essence pour prolonger la durée de stockage du carburant

En cas d'ajout d'un stabilisateur d'essence, remplir le réservoir de carburant avec de l'essence fraîche. Si le réservoir n'est que partiellement rempli, l'air à l'intérieur favorise la dégradation du carburant pendant le remisage. Si l'on garde un bidon d'essence pour le ravitaillement, veiller à ce qu'il ne contienne que de l'essence fraîche.

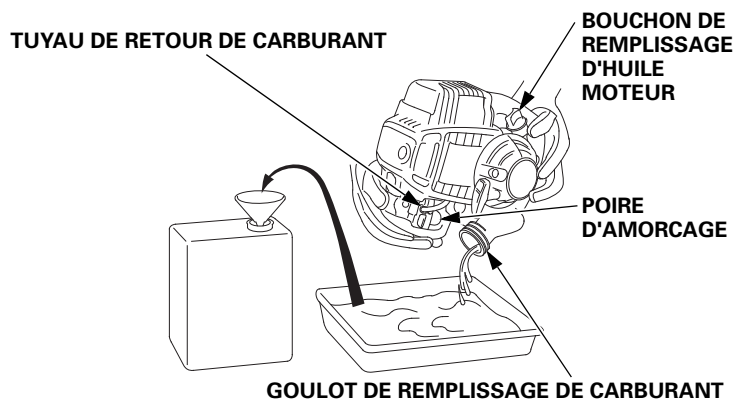
1. Ajouter le stabilisateur d'essence en suivant les instructions du fabricant.
2. Après avoir ajouté le stabilisateur d'essence, faire tourner le moteur à l'extérieur pendant 10 minutes pour être sûr que l'essence traitée a remplacé l'essence non traitée dans le carburateur.
3. Arrêter le moteur.

⚠ ATTENTION

L'essence est très inflammable et explosive et l'on peut se brûler ou se blesser grièvement en la manipulant.

- Arrêter le moteur et ne pas approcher de sources de chaleur, étincelles ou flammes.
- Ne manipuler le carburant qu'à l'extérieur.
- Essuyer immédiatement tout déversement.

1. S'assurer que le bouchon de remplissage d'huile moteur est bien serré.
2. Retirer le bouchon de remplissage de carburant et vidanger le carburant dans un récipient homologué pour l'essence en inclinant le moteur vers le goulot de remplissage de carburant.
3. Actionner la poire d'amorçage à plusieurs reprises jusqu'à ce qu'il n'y ait plus de carburant dans le tuyau de retour du carburant.
4. Incliner à nouveau le moteur vers le goulot de remplissage de carburant pour vidanger le carburant.



5. Après avoir vidangé tout le carburant, reposer correctement le bouchon de remplissage de carburant.

Huile moteur

1. Changer l'huile moteur (voir page 9).
2. Desserrer le boulon six pans de 5 mm, puis déposer le capot supérieur (voir page 11).
3. Déposer la bougie (voir page 11).
4. Déposer quelques gouttes d'huile moteur propre dans le cylindre.
5. Reposer provisoirement le capot supérieur.
6. Tirer la poignée de lancement à plusieurs reprises pour distribuer l'huile dans le cylindre.
7. Déposer le capot supérieur, puis reposer la bougie.
8. Reposer le capot supérieur et serrer à fond le boulon six pans de 5 mm (voir page 11).
9. Tirer doucement la poignée de lancement jusqu'à ce que l'on ressent une résistance.

Précautions de remisage

Si l'on remise le moteur avec de l'essence dans le réservoir de carburant et le carburateur, il est important de réduire les risques d'inflammation des vapeurs d'essence. Choisir une zone de remisage bien aérée loin de tout appareil à flamme tel que fourneau, chauffe-eau ou séchoir à linge. Éviter également un endroit où un moteur électrique produisant des étincelles ou des outils électriques sont utilisés. Éviter dans la mesure du possible des zones de remisage très humides car ceci favorise la rouille et la corrosion.

Garder le moteur à l'horizontale lors du remisage. Une inclinaison peut provoquer des fuites de carburant ou d'huile.

Alors que le moteur et le système d'échappement sont froids, couvrir le moteur pour le protéger contre la poussière. Un moteur ou un système d'échappement chauds peuvent enflammer ou faire fondre certaines matières. Ne pas utiliser de feuille de plastique à cet effet.

Une bâche non poreuse emprisonne l'humidité autour du moteur et favorise la rouille et la corrosion.

Fin du remisage

Vérifier le moteur comme il est indiqué à la section *CONTROLES AVANT L'UTILISATION* de ce manuel (voir page 4).

Si le carburant a été vidangé lors de la préparation au remisage, remplir le réservoir avec de l'essence fraîche. Si l'on garde un bidon d'essence pour le ravitaillement, veiller à ce qu'il ne contienne que de l'essence fraîche. L'essence s'oxyde et se dégrade avec le temps, ce qui rend le démarrage difficile.

Si le cylindre a été enduit d'huile lors de la préparation au remisage, le moteur fume brièvement au démarrage. Ceci est normal.

TRANSPORT

Si le moteur vient de tourner, le laisser refroidir pendant au moins 15 minutes avant de charger l'équipement commandé par lui sur le véhicule de transport. Un moteur ou un système d'échappement chauds peuvent provoquer des brûlures et enflammer certaines matières.

EN CAS DE PROBLEME INATTENDU

LE MOTEUR NE DEMARRE PAS

Cause possible	Remède
Starter ouvert.	Placer le levier sur la position FERME à moins que le moteur ne soit chaud.
Contacteur moteur sur ARRET. (Sur l'équipement)	Placer le contacteur moteur sur la position MARCHE.
Absence de carburant.	Faire le plein de carburant (p. 8).
Carburant de mauvaise qualité, moteur remisé sans traiter ou vidanger l'essence, ou remplissage avec une essence de mauvaise qualité.	Vidanger le réservoir de carburant et le carburateur (p. 16). Remplir d'essence fraîche (p. 8).
Bougie défectueuse, encrassée ou mauvais écartement des électrodes.	Régler l'écartement ou remplacer la bougie (p. 11).
Bougie noyée par le carburant (moteur noyé).	Attendre que la bougie soit sèche. Après séchage de la bougie, la mettre en place et démarrer le moteur (p. 4).
Filtre à carburant colmaté, anomalie de fonctionnement du carburateur ou de l'allumage, soupapes gommées, etc.	Apporter le moteur au concessionnaire réparateur ou se reporter au manuel d'atelier.

LE MOTEUR MANQUE DE PUISSANCE

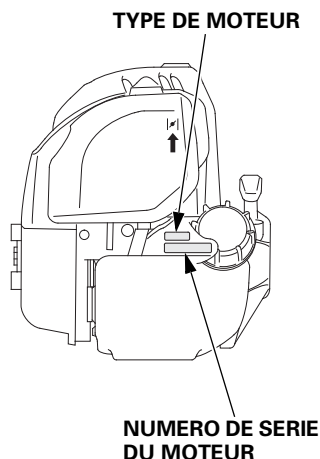
Cause possible	Remède
Élément filtrant colmaté.	Nettoyer ou remplacer l'élément filtrant (p. 10–11).
Carburant de mauvaise qualité, moteur remisé sans traiter ou vidanger l'essence, ou remplissage avec une essence de mauvaise qualité.	Vidanger le réservoir de carburant et le carburateur (p. 16). Remplir d'essence fraîche (p. 8).
Filtre à carburant colmaté, anomalie de fonctionnement du carburateur ou de l'allumage, soupapes gommées, etc.	Apporter le moteur au concessionnaire réparateur ou se reporter au manuel d'atelier.

INFORMATIONS TECHNIQUES ET INFORMATION DU CONSOMMATEUR

INFORMATIONS TECHNIQUES

Emplacement du numéro de série

Noter le numéro de série du moteur, le type et la date d'achat dans les espaces ci-dessous. Ces informations seront nécessaires pour la commande de pièces et les demandes de renseignements techniques ou de garantie.



Numéro de série du moteur : _____

Type de moteur : _____

Date d'achat : ____ / ____ / ____

Tringlerie de commande à distance

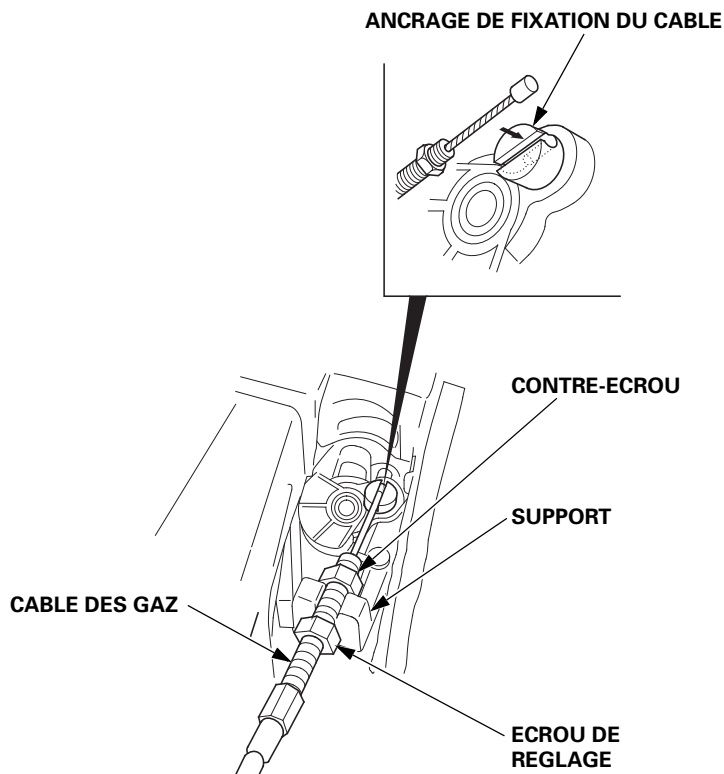
Type standard/motoculteur :

Le levier des gaz est doté d'une pièce d'ancrage de câble.

Déposer le couvercle de filtre à air (voir page 10) pour accéder au levier des gaz et à l'ancrage de câble.

Fixer le câble des gaz comme sur l'illustration.

Pour régler le câble des gaz, suivre les instructions du fabricant de l'équipement.



Modifications du carburateur pour une utilisation à haute altitude

En haute altitude, le mélange air-carburant standard du carburateur est trop riche. Les performances diminuent et la consommation augmente. Un mélange très riche encrasse également la bougie et rend le démarrage difficile. Une utilisation prolongée à des altitudes différentes de celles pour lesquelles ce moteur a été certifié peut entraîner une augmentation des émissions polluantes.

Il est possible d'améliorer les performances à haute altitude en effectuant certaines modifications sur le carburateur. Si l'on utilise toujours le moteur à des altitudes supérieures à 1 500 mètres, demander au concessionnaire d'effectuer ces modifications du carburateur. Ce moteur, s'il est utilisé en haute altitude avec les modifications du carburateur correspondantes, est conforme à toutes les normes antipollution pendant toute sa durée de vie utile.

Même avec un carburateur modifié, la puissance du moteur diminuera d'environ 3,5 % pour chaque augmentation d'altitude de 300 mètres. Si le carburateur n'est pas modifié, l'effet de l'altitude sur la puissance sera encore plus important.

REMARQUE

Lorsque le carburateur a été modifié pour une utilisation à haute altitude, le mélange air-carburant est trop pauvre pour une utilisation à basse altitude. L'utilisation à des altitudes inférieures à 1 500 mètres avec un carburateur modifié peut provoquer une surchauffe du moteur et entraîner d'importants dommages au moteur. Pour une utilisation à basse altitude, faire remettre le carburateur aux spécifications d'usine d'origine par le concessionnaire.

Informations sur le système antipollution

Source des émissions polluantes

La combustion du carburant s'accompagne d'un rejet de monoxyde de carbone, d'oxydes d'azote et d'hydrocarbures. Il est très important de contrôler les hydrocarbures et les oxydes d'azote car, dans certaines conditions, ils réagissent à la lumière du soleil pour former un brouillard photochimique. Le monoxyde de carbone ne réagit pas de la même manière, mais il est toxique.

Honda utilise des réglages pauvres du carburateur et d'autres systèmes pour réduire les rejets de monoxyde de carbone, d'oxydes d'azote et d'hydrocarbures.

Etats-Unis, California Clean Air Act et Environnement Canada

La réglementation de l'EPA (agence de protection de l'environnement), de Californie et du Canada exige de tous les fabricants qu'ils fournissent des instructions écrites décrivant le fonctionnement et l'entretien des systèmes antipollution.

Les instructions et procédures suivantes doivent être respectées afin de maintenir les émissions polluantes du moteur Honda dans les limites autorisées par les normes.

Modification non autorisée et altération

La modification non autorisée ou l'altération du système antipollution peut entraîner une augmentation des émissions polluantes au-delà de la limite légale. Les actions suivantes constituent notamment des modifications non autorisées :

- Retrait ou altération d'une pièce quelconque des systèmes d'admission, d'alimentation en carburant ou d'échappement.
- Altération ou neutralisation de la tringlerie du régulateur de régime ou du mécanisme de réglage de régime ayant pour effet de faire fonctionner le moteur en dehors de ses paramètres de conception.

Problèmes pouvant avoir une incidence sur les émissions polluantes

Si l'on constate l'un des symptômes suivants, faire contrôler et réparer le moteur par le concessionnaire.

- Démarrage difficile ou calage après le démarrage.
- Ralenti irrégulier.
- Ratés d'allumage ou retours de flammes en charge.
- Postcombustion (retours de flamme).
- Fumée d'échappement noire ou consommation de carburant excessive.

Pièces de rechange

Les systèmes antipollution du moteur Honda ont été conçus, fabriqués et homologués conformément à la réglementation sur la pollution de l'EPA (agence de protection de l'environnement), de Californie et du Canada. Nous recommandons d'utiliser des pièces Honda d'origine lors de tout entretien.

Ces pièces de rechange ont la conception d'origine et sont fabriquées en appliquant les mêmes normes que les pièces initiales, ce qui garantit la fiabilité de leurs performances. L'utilisation de pièces de rechange n'ayant pas la conception et la qualité d'origine peut nuire à l'efficacité du système antipollution.

Le fabricant d'une pièce du marché des pièces de rechange engage sa responsabilité quant au fait que cette pièce n'aura pas d'effet néfaste sur les performances antipollution. Le fabricant ou le reconstruteur de la pièce doit certifier que l'utilisation de cette pièce n'empêchera pas le moteur de se conformer à la réglementation sur la pollution.

Entretien

Observer le programme d'entretien de la page 7. Ne pas oublier que ce programme présuppose que la machine sera utilisée pour l'application pour laquelle elle est prévue. Une utilisation prolongée sous une charge élevée ou par haute température, ou dans des conditions anormalement humides ou poussiéreuses demande un entretien plus fréquent.

Indice atmosphérique

(Modèles homologués pour la vente en Californie)

Une étiquette volante/autocollant d'informations sur l'indice atmosphérique est apposée sur les moteurs certifiés pour une période d'endurance des pièces antipollution conformément aux exigences du California Air Resources Board.

Le barre-graphe permet au client de comparer les performances antipollution des moteurs disponibles. Plus l'indice atmosphérique est bas, moindre est la pollution.

La désignation d'endurance fournit des informations relatives à la période d'endurance des pièces antipollution du moteur.

La durée de désignation est la durée de service utile du système antipollution du moteur. Pour plus d'informations, consulter la *Garantie du système antipollution*.

Durée de désignation	Applicable à la période d'endurance des pièces antipollution
Modérée	50 heures (0 à 80 cm ³ inclus) 125 heures (plus de 80 cm ³)
Intermédiaire	125 heures (0 à 80 cm ³ inclus) 250 heures (plus de 80 cm ³)
Prolongée	300 heures (0 à 80 cm ³ inclus) 500 heures (plus de 80 cm ³) 1 000 heures (225 cm ³ et plus)

L'étiquette volante/autocollant d'informations sur l'indice atmosphérique doit demeurer sur le moteur jusqu'à la vente. Retirer l'étiquette volante avant d'utiliser le moteur.

Spécifications

GX25 (types de base)

Code de description	GCART
Longueur × largeur × hauteur	198 × 221 × 230 mm
Masse à sec [poids]	2,90 kg
Type de moteur	Monocylindre 4 temps à arbre à cames en tête
Cylindrée [alésage × course]	25,0 cm ³ [35,0 × 26,0 mm]
Puissance nette (conformément à la norme SAE J1349*)	0,72 kW (1,0 PS) à 7 000 tr/min
Couple net maxi. (conformément à la norme SAE J1349*)	1,0 N·m (0,10 kgf·m) à 5 000 tr/min
Contenance en huile moteur	0,08 L
Contenance du réservoir de carburant	Type standard/pompe : 0,53 L Type motoculteur : 0,54 L
Refroidissement	Forcé par circulation d'air
Allumage	Magnéto à transistors
Rotation de l'arbre de prise de force	Sens contraire des aiguilles d'une montre

GX35 (Types de base)

Code de description	GCAST
Longueur × largeur × hauteur	205 × 234 × 240 mm
Masse à sec [poids]	3,46 kg
Type de moteur	Monocylindre 4 temps à arbre à cames en tête
Cylindrée [alésage × course]	35,8 cm ³ [39,0 × 30,0 mm]
Puissance nette (conformément à la norme SAE J1349*)	1,0 kW (1,4 PS) à 7 000 tr/min
Couple net maxi. (conformément à la norme SAE J1349*)	1,6 N·m (0,16 kgf·m) à 5 500 tr/min
Contenance en huile moteur	0,10 L
Contenance du réservoir de carburant	Type standard/pompe : 0,63 L Type motoculteur : 0,64 L
Refroidissement	Forcé par circulation d'air
Allumage	Magnéto à transistors
Rotation de l'arbre de prise de force	Sens contraire des aiguilles d'une montre

* La puissance nominale du moteur indiquée dans ce document est la puissance de sortie nette testée sur un moteur de série de ce modèle et mesurée conformément à SAE J1349 à 7 000 tr/min (puissance nette) et pour GX25 : à 5 000 tr/min, GX35 : 5 500 tr/min (couple net maxi). Les moteurs produits en série peuvent s'écarter de cette valeur.

La puissance de sortie réelle lorsque le moteur est installé dans la machine finale variera en fonction de plusieurs facteurs, y compris la vitesse de fonctionnement du moteur pendant l'utilisation, les conditions environnementales, la maintenance et autres variables.

Caractéristiques de mise au point

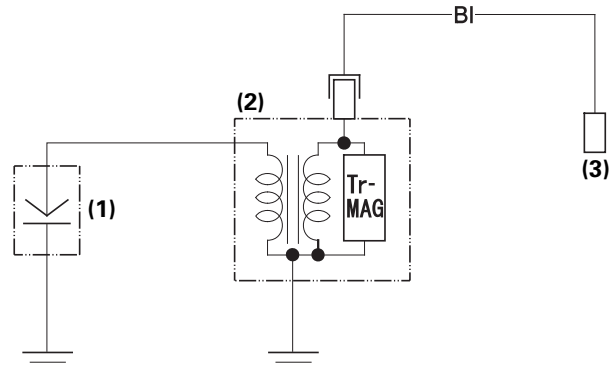
POSTE	SPECIFICATION	ENTRETIEN
Ecartement des électrodes	0,6–0,7 mm	Se reporter à la page : 11
Régime de ralenti	3 100 ± 200 tr/min	Consulter votre concessionnaire Honda agréé.
Jeu aux soupapes (à froid)	ADM : 0,08 ± 0,02 mm ECH : 0,11 ± 0,02 mm	
Autres caractéristiques	Aucun autre réglage n'est nécessaire.	

Informations de référence rapide

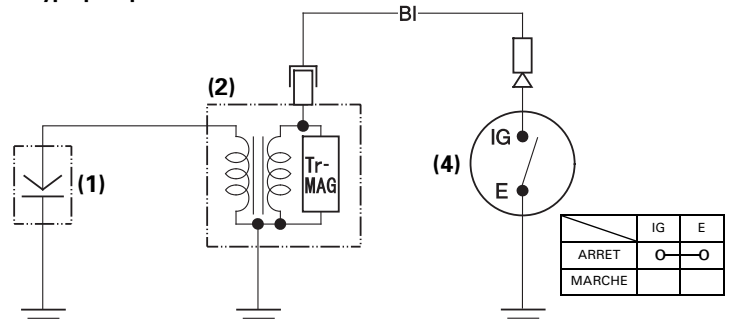
Carburant	Essence sans plomb (se reporter à la page 8)	
	Etats-Unis	Indice d'octane pompe 86 ou plus
Huile moteur	En dehors des Etats-Unis	Indice d'octane recherche 91 ou plus
		Indice d'octane pompe 86 ou plus
Bougie	SAE 10W-30, API SJ ou ultérieure, pour usage général. Se reporter à la page 8.	
Entretien	Avant chaque utilisation : • Contrôler le niveau d'huile moteur. Se reporter à la page 9. • Contrôler le filtre à air. Se reporter à la page 10. Aux 10 premières heures : Changer l'huile moteur. Se reporter à la page 9. Par la suite : Se reporter au programme d'entretien de la page 7.	

Schémas de câblage

Type standard/motoculteur :



Type pompe :



- (1) BOUGIE
- (2) BOBINE D'ALLUMAGE
- (3) Contacteur moteur sur l'équipement mû par le moteur.
- (4) CONTACTEUR MOTEUR

BI	Noir
----	------

INFORMATION DU CONSOMMATEUR

Informations sur la garantie et le localisateur de distributeurs/ concessionnaires

Etats-Unis, Porto Rico et Iles vierges américaines :

Rendez-vous sur notre site Web : www.honda-engines.com

Canada :

Appelez le (888) 9HONDA9

ou rendez-vous sur notre site Web : www.honda.ca

Pour la zone européenne :

Rendez-vous sur notre site Web : <http://www.honda-engines-eu.com>

Informations d'entretien pour le client

Le personnel des concessionnaires compte des professionnels qualifiés. Il devrait pouvoir répondre à toutes vos questions. Si le technicien ne résout pas votre problème de manière satisfaisante, adressez-vous à la direction de la concession. Le responsable du service après-vente, le directeur général ou le propriétaire pourra vous aider. Presque tous les problèmes se résolvent de cette manière.

Etats-Unis, Porto Rico et Iles vierges américaines :

Si vous n'êtes pas satisfait de la décision prise par la direction de la concession, adressez-vous au distributeur régional de moteurs Honda de votre région.

Si vous n'êtes toujours pas satisfait après avoir parlé au distributeur régional de moteurs, vous pourrez vous adresser au bureau Honda indiqué.

Toutes les autres zones :

Si vous n'êtes pas satisfait de la décision prise par la direction de la concession, adressez-vous au bureau Honda indiqué.

« Bureau Honda »

Lorsque vous écrivez ou appelez, veuillez fournir les informations suivantes :

- Nom du fabricant et numéro de modèle de l'équipement sur lequel est monté le moteur
- Modèle, numéro de série et type du moteur (voir page 17)
- Nom du concessionnaire vous ayant vendu le moteur
- Nom, adresse et personne à contacter du concessionnaire assurant le service après-vente de votre moteur
- Date d'achat
- Vos nom, adresse et numéro de téléphone
- Description détaillée du problème

Etats-Unis, Porto Rico et Iles vierges américaines :

American Honda Motor Co., Inc.

Power Equipment Division
Customer Relations Office
4900 Marconi Drive
Alpharetta, GA 30005-8847

Ou téléphoner au : (770) 497-6400, 8 h 30 - 19 h 00 HNE

Canada :

Honda Canada, Inc.

Rendez-vous sur www.honda.ca
pour obtenir nos coordonnées

Téléphone : (888) 9HONDA9 Appel gratuit
(888) 946-6329

Télécopie : (877) 939-0909 Appel gratuit

Pour la zone européenne :

Honda Motor Europe Logistics NV.

European Engine Center

<http://www.honda-engines-eu.com>

Toutes les autres zones :

S'adresser au distributeur Honda local pour toute assistance.

HONDA
The Power of Dreams

INTRODUCCIÓN

Muchas gracias por la adquisición de un motor Honda. Nos gustaría ayudarle a obtener los mejores resultados con su nuevo motor y a operarlo con seguridad. Este manual contiene información para ello; léalo detenidamente antes de poner en funcionamiento el motor. En caso de encontrarse con algún problema, o si tiene alguna pregunta sobre su motor, consulte a un concesionario de servicio Honda autorizado.

Toda la información de esta publicación se basa en la información más reciente disponible en el momento de la impresión. Honda Motor Co., Ltd. se reserva el derecho a efectuar cambios en cualquier momento sin previo aviso y sin incurrir en ningún tipo de obligación. Ninguna parte de este manual puede reproducirse sin permiso por escrito.


Este manual debe considerarse como una parte permanente del motor y debe permanecer con el motor en caso de reventa.

Revise las instrucciones suministradas con el equipo que funcionará con este motor para encontrar información adicional sobre la puesta en marcha del motor, parada, operación, ajustes, o instrucciones especiales para el mantenimiento.

Estados Unidos, Puerto Rico, e Islas Vírgenes Estadounidenses: Le aconsejamos que lea el contrato de garantía para que comprenda su alcance y sus responsabilidades de propiedad. El contrato de garantía es un documento independiente que le habrá entregado su concesionario.

MENSAJES DE SEGURIDAD

Su seguridad y la de los demás son muy importantes. Hemos incluido mensajes de seguridad importantes en este manual y en el motor. Lea detenidamente estos mensajes.

Un mensaje de seguridad le avisa sobre los peligros potenciales que podrían causarle lesiones a usted y a los demás. Cada mensaje de seguridad viene precedido por un símbolo de alerta de seguridad  y una de las tres palabras, PELIGRO, ADVERTENCIA o PRECAUCIÓN.

El significado de estas palabras clave es:

PELIGRO

MUERTE o LESIONES GRAVES SEGURAS en caso de no seguir las instrucciones.

ADVERTENCIA

POSIBILIDAD de MUERTE o de LESIONES GRAVES en caso de no seguir las instrucciones.

PRECAUCIÓN

POSIBILIDAD de LESIONES en caso de no seguir las instrucciones.

Cada mensaje le explica en qué consiste el peligro, lo que puede suceder, y lo que usted debe hacer para evitar las heridas o para reducirlas.

MENSAJES PARA PREVENCIÓN DE DAÑOS

Encontrará también otros mensajes importantes que vienen precedidos por la palabra AVISO.

Esta palabra significa:

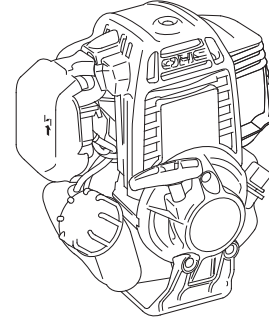
AVISO

Pueden producirse daños en el motor o en la propiedad de terceras personas si no sigue las instrucciones.

El propósito de estos mensajes es el de ayudar a evitar daños en el motor, en la propiedad de terceras personas, o en medio ambiente.

HONDA

MANUAL DEL PROPIETARIO GX25·GX35



ADVERTENCIA:

Los gases de escape de este producto contienen agentes químicos que, según el Estado de California, causan cáncer, defectos de nacimiento u otros efectos perjudiciales reproductivos.

California Proposition 65

Este producto contiene o emite agentes químicos que, según el Estado de California, causan cáncer, defectos de nacimiento u otros efectos perjudiciales reproductivos

ESPAÑOL

ÍNDICE

INTRODUCCIÓN.....	1	FILTRO DE COMBUSTIBLE Y DEPÓSITO DE COMBUSTIBLE.....	12
MENSAJES DE SEGURIDAD	1	PARACHISPAS.....	13
INFORMACIÓN DE SEGURIDAD.....	2	DESMONTAJE/INSTALACIÓN DEL TUBO DE AIRE CALIENTE.....	15
SITUACIÓN DE LAS ETIQUETAS DE SEGURIDAD	2	SUGERENCIAS Y CONSEJOS ÚTILES.....	15
SITUACIONES DE LOS COMPONENTES Y CONTROLES.....	2	ALMACENAJE DEL MOTOR.....	15
CARACTERÍSTICAS.....	3	TRANSPORTE.....	16
COMPROBACIONES PREVIAS A LA OPERACIÓN	4	CUIDADOS PARA PROBLEMAS INESPERADOS	16
PRECAUCIONES.....	4	INFORMACIÓN TÉCNICA Y DEL CONSUMIDOR	17
PRECAUCIONES DE SEGURIDAD DURANTE LA OPERACIÓN.....	4	Situación del número de serie ...	17
ARRANQUE DEL MOTOR.....	4	Enlace de control remoto	17
AJUSTE DE LA VELOCIDAD DEL MOTOR.....	5	Modificación del carburador para funcionar a gran altitud.....	17
PARADA DEL MOTOR.....	6	Información del sistema de control de las emisiones de escape	18
SERVICIO DE SU MOTOR.....	6	Índice de aire	18
LA IMPORTANCIA DEL MANTENIMIENTO	6	Especificaciones	19
SEGURIDAD DEL MANTENIMIENTO	6	Especificaciones de reglaje.....	19
PRECAUCIONES DE SEGURIDAD	7	Información de referencia rápida.....	19
MANTENIMIENTO DE MANTENIMIENTO	7	Diagramas de cableado.....	19
REPOSTAJE	8	INFORMACIÓN DEL CONSUMIDOR.....	20
ACEITE DE MOTOR.....	8	Garantía e información para encontrar distribuidores/concesionarios...	20
Aceite recomendado	8	Información de servicio de clientes.....	20
Comprobación del nivel de aceite	9		
Cambio del aceite	9		
FILTRO DE AIRE	10		
Inspección	10		
Limpieza	10; 11		
BUJÍA.....	11		
ALETAS DE REFRIGERACIÓN ...	12		

INFORMACIÓN DE SEGURIDAD

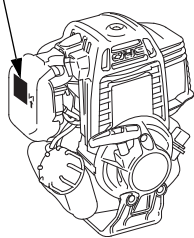
- Comprenda el funcionamiento de todos los controles y aprenda a parar con rapidez el motor en un caso de emergencia. Asegúrese de que el operador haya recibido una instrucción adecuada antes de operar el equipo.
- No permita que los niños operen el motor. Mantenga a los niños y animales apartados del lugar de operación.
- Los gases de escape del motor contienen monóxido de carbono que es venenoso.
No ponga en marcha el motor si no hay una ventilación adecuada, y no ponga nunca en marcha el motor en un lugar cerrado.
- El motor y el sistema de escape se calientan mucho durante la operación.
Mantenga el motor por lo menos a 1 metro de distancia de edificios y de otros equipos durante la operación. Mantenga apartados los materiales inflamables, y no ponga nada sobre el motor mientras esté en marcha.

SITUACIÓN DE LAS ETIQUETAS DE SEGURIDAD

Esta etiqueta le avisa sobre peligros potenciales que pueden ocasionar heridas graves. Léala con atención. Si se despega la etiqueta o resulta difícil de leer, solicite a su concesionario de servicio Honda que la reemplace.

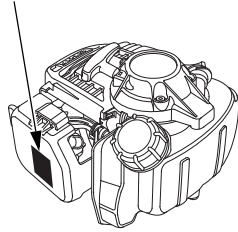
Tipo estándar/bomba:

ETIQUETA DE ADVERTENCIA



Tipo de cultivadora:

ETIQUETA DE ADVERTENCIA



Las ilustraciones de este manual se basan en el modelo GX25.

- Las ilustraciones pueden variar según el tipo.

ETIQUETA DE ADVERTENCIA	Para UE	Excepto UE
	colocada en el producto	suministrada con el producto
	suministrada con el producto	colocada en el producto
	suministrada con el producto	suministrada con el producto



La gasolina es muy inflamable y explosiva. Pare el motor y espere a que se enfríe antes de repostar.



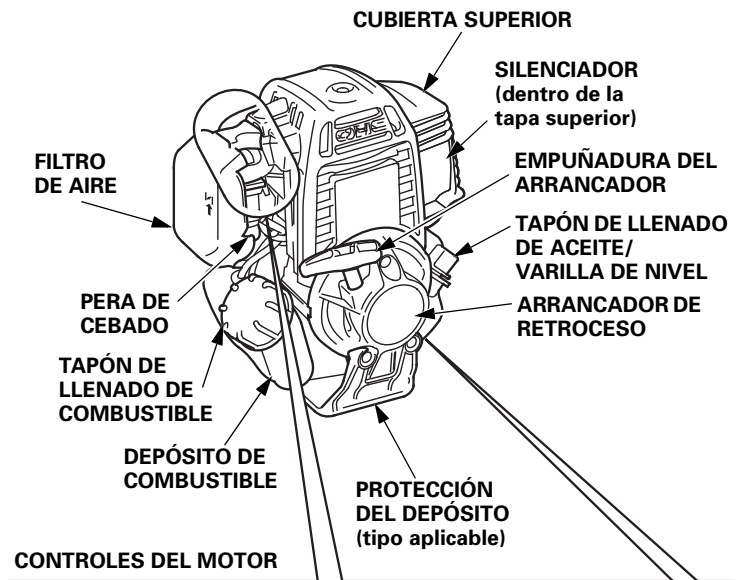
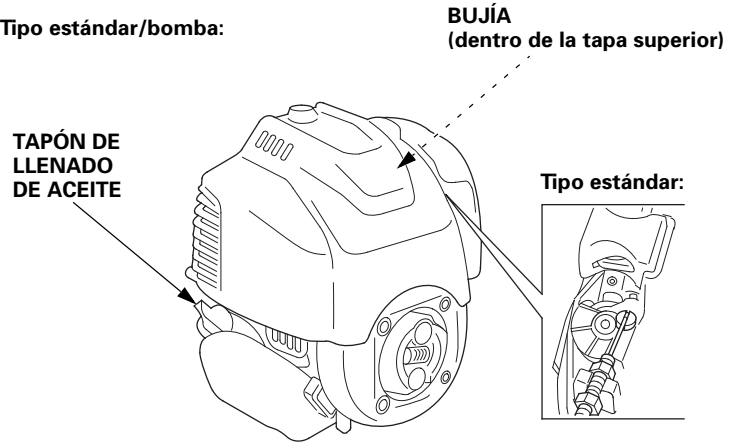
El motor emite gas monóxido de carbono que es tóxico y venenoso. No lo tenga en marcha en un lugar cerrado.



Lea el Manual del propietario antes de la operación.

SITUACIONES DE LOS COMPONENTES Y CONTROLES

Tipo estándar/bomba:



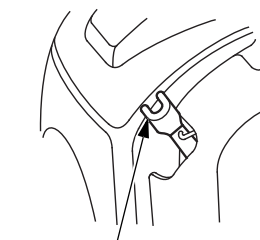
Tipo estándar:



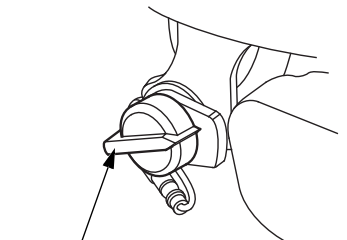
PALANCA DEL ESTRANGULADOR

TUERCA DE FRICCIÓN

Tipo de bomba:

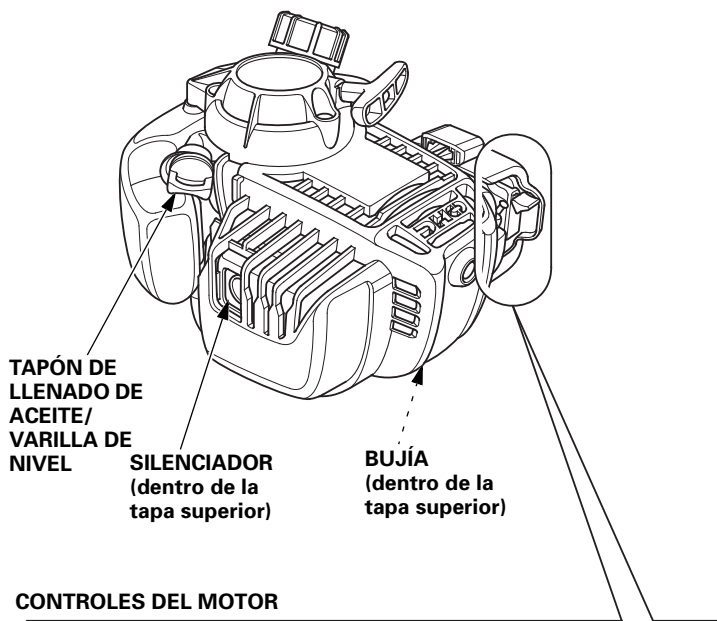
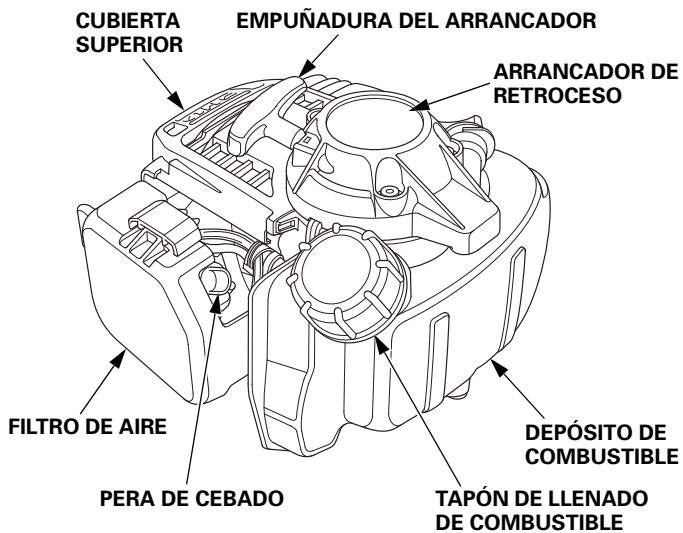


TUERCA DE FRICCIÓN



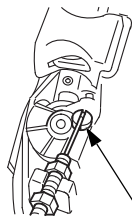
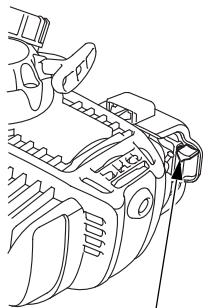
INTERRUPTOR DEL MOTOR

Tipo de cultivadora:

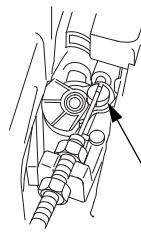
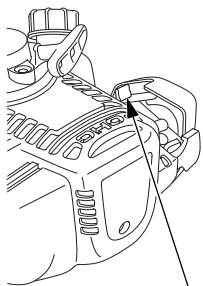


CONTROLES DEL MOTOR

GX25



GX35



CARACTERÍSTICAS

Embrague centrífugo (tipo estándar/cultivadora)

El embrague centrífugo se aplica automáticamente y transmite la fuerza cuando se incrementa la velocidad del motor por encima de 4.200 min^{-1} (rpm) aproximadamente. A la velocidad de ralentí, el embrague no está aplicado.

AVISO

No ponga en marcha el motor sin montarlo en un equipo que incluya el tambor y la caja del embrague centrífugo, porque la fuerza centrífuga causaría que las zapatas del embrague se pusieran en contacto causando daños en la caja del motor.

COMPROBACIONES PREVIAS A LA OPERACIÓN

¿ESTÁ PREPARADO EL MOTOR PARA FUNCIONAR?

Por su propia seguridad, para asegurar el cumplimiento de las regulaciones medioambientales y para maximizar la vida de servicio de su equipo, es muy importante emplear un poco de tiempo para comprobar el estado del motor antes de ponerlo en funcionamiento. Antes de poner en marcha el motor, deberá asegurarse de haber solucionado cualquier problema encontrado, o de solicitar a su concesionario de servicio que lo solucione.

⚠ ADVERTENCIA

El mantenimiento inadecuado de este motor, o la falta de reparación de un problema antes de la operación, pueden ser causa de un mal funcionamiento en el que pueda correr el peligro de heridas graves o de muerte.

Efectúe siempre la inspección previa a la operación antes de cada operación, y solucione los problemas encontrados.

Antes de comenzar las comprobaciones previas a la operación, asegúrese de que el motor esté nivelado y que el interruptor del motor esté en la posición OFF.

Compruebe siempre los elementos siguientes antes de poner en marcha el motor:

Comprobación del estado general del motor

1. Antes de cada utilización, mire en torno al motor y debajo del mismo para ver si hay indicios de fugas de aceite o de gasolina.
2. Extraiga el polvo o la suciedad excesiva, especialmente en torno al silenciador y al arrancador de retroceso.
3. Busque si hay indicios de daños.
4. Compruebe que todos los protectores y cubiertas estén en su lugar, y que todas las tuercas, pernos, y tornillos estén apretados.

Comprobación del motor

1. Compruebe el nivel de combustible (vea la página 8). Si comienza el trabajo con el depósito lleno, le ayudará a eliminar o reducir las interrupciones de la operación para repostar.
2. Compruebe el nivel del aceite de motor (vea la página 9). El motor puede dañarse si se utiliza con un nivel bajo de aceite.
3. Compruebe el elemento del filtro de aire (vea la página 10). Un elemento del filtro de aire sucio restringirá el flujo de aire al carburador, reduciendo el rendimiento del motor.
4. Compruebe el equipo que deba funcionar con este motor.

Revise las instrucciones proporcionadas con el equipo que deba funcionar con este motor para ver si hay precauciones y procedimientos que deban seguirse antes de poner en marcha el motor.

PRECAUCIONES

DE SEGURIDAD DURANTE LA OPERACIÓN

Antes de poner en marcha el motor por primera vez, revise la sección *INFORMACIÓN DE SEGURIDAD* en la página 2 y *COMPROBACIONES PREVIAS A LA OPERACIÓN*.

Peligros del monóxido de carbono

Por su propia seguridad, no opere el motor en lugares cerrados como por ejemplo dentro de un garaje. Los gases de escape del motor contienen monóxido de carbono que es un gas que se acumula con rapidez en lugares cerrados y que causa mal estar o incluso la muerte.

⚠ ADVERTENCIA

Los gases de escape contienen gas venenoso de monóxido de carbono que puede acumularse hasta niveles peligrosos en lugares cerrados.

Si aspira monóxido de carbono correrá el peligro de pérdida del sentido o de muerte.

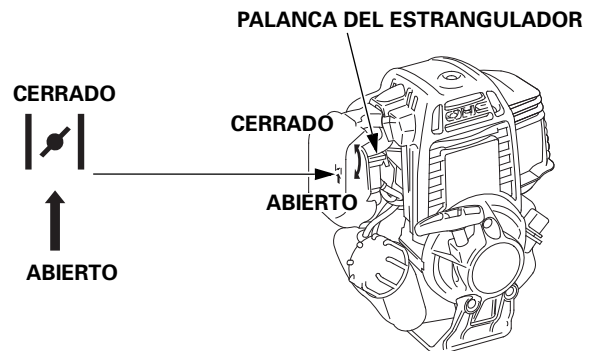
No ponga nunca en marcha el motor en un lugar cerrado, ni parcialmente cerrado en el que pueda haber gente.

Revise las instrucciones proporcionadas con el equipo que deba funcionar con este motor para ver si hay precauciones de seguridad que deban observarse para poner en marcha, parar, u operar el motor.

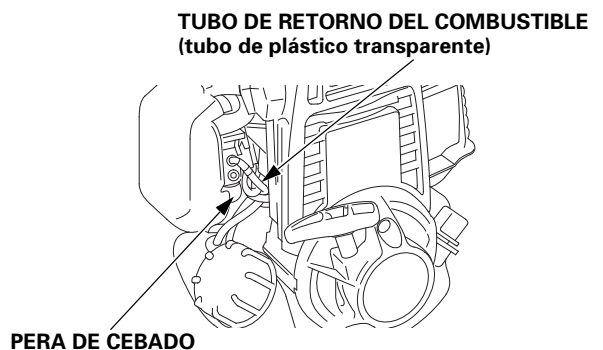
ARRANQUE DEL MOTOR

1. Para arrancar el motor cuando está frío, mueva la palanca del estrangulador a la posición CERRADO.

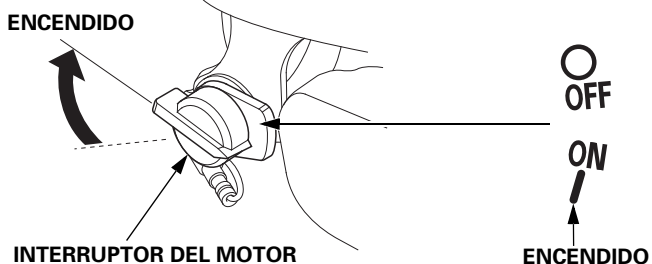
Para arrancar el motor cuando está caliente, deje la palanca del estrangulador en la posición ABIERTO.



2. Presione repetidamente la pera de cebado hasta que pueda verse el combustible por el tubo de retorno de combustible de plástico transparente.



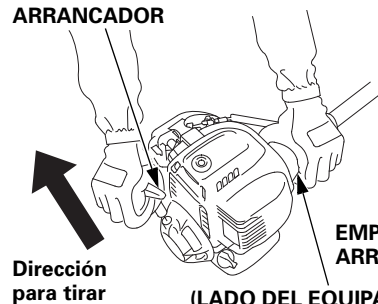
- Tipo estándar/cultivadora: Gire el interruptor del motor del equipo a la posición ENCENDIDO.
- Tipo de bomba: Gire el interruptor del motor a la posición ENCENDIDO.



- Tire ligeramente de la empuñadura del arrancador hasta notar resistencia, y entonces tire con fuerza en la dirección de la flecha como se muestra abajo. Deje que la empuñadura del arrancador retorne con suavidad.

Tipo estándar/bomba:

EMPUÑADURA DEL ARRANCADOR



Tipo de cultivadora:

EMPUÑADURA DEL ARRANCADOR

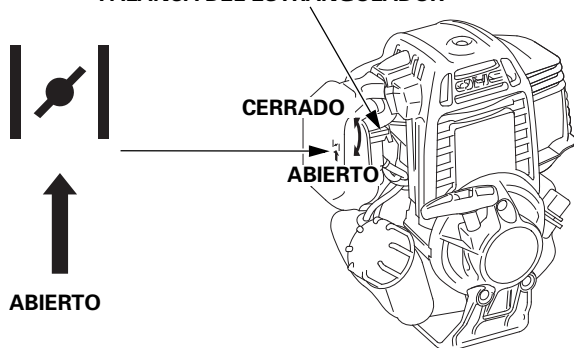


AVISO

No permita que la empuñadura del arrancador retroceda con fuerza contra el motor. Haga que retorne con suavidad para evitar daños en el arrancador.

- Si se ha movido la palanca del estrangulador a la posición CLOSED para arrancar el motor, muévela gradualmente a la posición OPEN a medida que se va calentando el motor.

PALANCA DEL ESTRANGULADOR



Reinicio en caliente

Si el motor se tiene en funcionamiento en lugares con altas temperaturas ambientales, y luego se para y se deja en reposo un rato, es posible que no pueda volver a ponerse en marcha a la primera.

Si es necesario, emplee el procedimiento siguiente:

PRECAUCIONES DE SEGURIDAD IMPORTANTES

Gire el interruptor del motor a la posición OFF antes de realizar el procedimiento siguiente. De este modo evitará que el motor pueda ponerse en marcha y opere a la velocidad máxima cuando el acelerador está en la posición MÁX. de velocidad máxima. Si se pone en marcha el motor con el acelerador en la posición MÁX. de velocidad máxima, es posible que el equipo se mueva rápidamente hacia delante o que el accesorio de la recortadora gire a la velocidad máxima. Esto podría causar lesiones personales.

• Tipo de cultivadora

- Gire el interruptor del motor en el equipo a la posición OFF.
- Gire la palanca del estrangulador a la posición OPEN.
- Retenga la palanca del acelerador del equipo en la posición MÁX. de velocidad máxima.
- Tire de la empuñadura del arrancador de 3 a 5 veces.

Siga el procedimiento ARRANQUE DEL MOTOR de la página 4 y arranque el motor con la palanca del estrangulador en la posición OPEN.

• Tipo de bomba

- Gire el interruptor del motor a la posición OFF.
- Gire la palanca del estrangulador a la posición OPEN.
- Retenga la palanca del acelerador en la posición MÁX. de velocidad máxima.
- Tire de la empuñadura del arrancador de 3 a 5 veces.

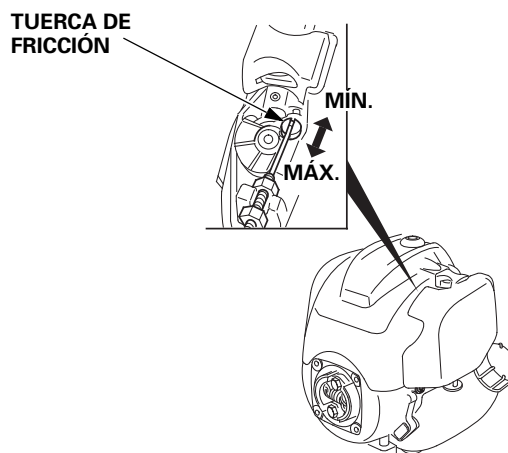
Siga el procedimiento ARRANQUE DEL MOTOR de la página 4 y arranque el motor con la palanca del estrangulador en la posición OPEN.

AJUSTE DE LA VELOCIDAD DEL MOTOR

Tipo estándar/cultivadora:

Ajuste la palanca del acelerador a la velocidad deseada del motor.

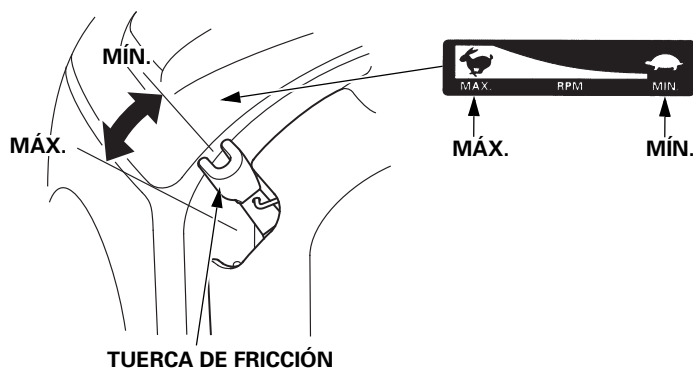
La palanca del acelerador aquí mostrada se conectará a un controlador remoto del equipo operado con este motor. Consulte las instrucciones suministradas con el equipo para ver la información sobre el control remoto y las recomendaciones de velocidad del motor.



Tipo de bomba:

Ajuste la palanca del acelerador a la velocidad deseada del motor.

Para ver las recomendaciones de la velocidad del motor, consulte el manual de instrucciones suministrado con el equipo que deba funcionar con este motor.



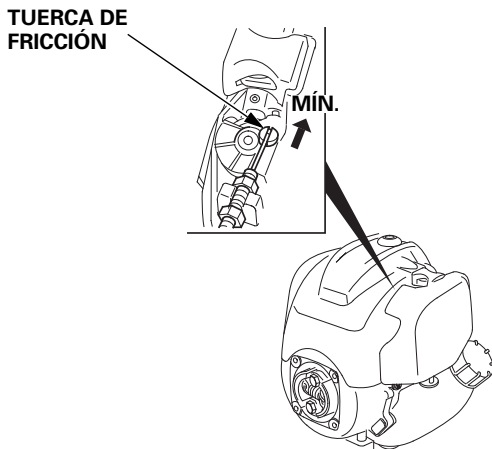
PARADA DEL MOTOR

Tipo estándar/cultivadora:

Para parar el motor en un caso de emergencia, simplemente gire el interruptor del motor del equipo a la posición OFF. En situaciones normales, emplee el procedimiento siguiente.

1. Mueva la palanca del acelerador a la posición MIN.

La palanca del acelerador aquí mostrada se conectará a un controlador remoto del equipo operado con este motor. Consulte las instrucciones suministradas con el equipo para ver la información sobre el control remoto y las recomendaciones de velocidad del motor.

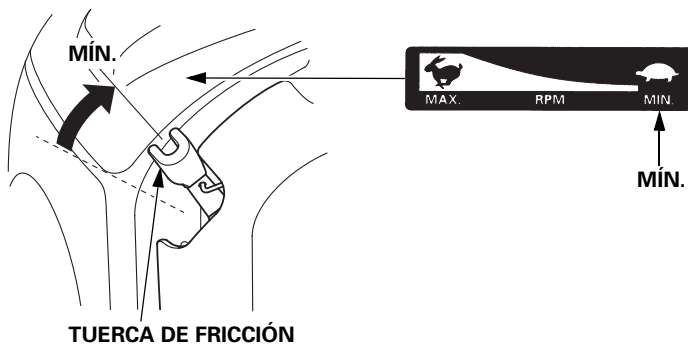


2. Gire el interruptor del motor en el equipo a la posición OFF.

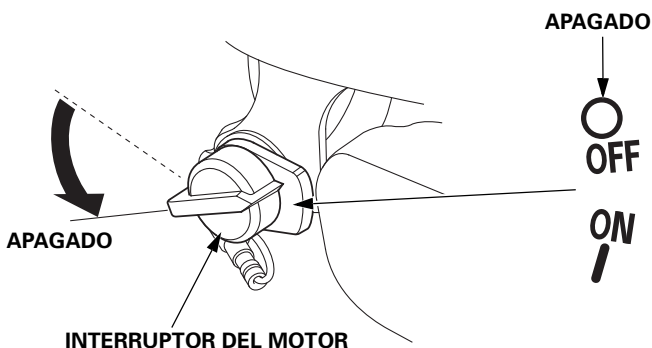
Tipo de bomba:

Para parar el motor en un caso de emergencia, simplemente gire el interruptor del motor a la posición OFF. En situaciones normales, emplee el procedimiento siguiente.

1. Mueva la palanca del acelerador a la posición MIN.



2. Gire el interruptor del motor a la posición OFF.



SERVICIO DE SU MOTOR

LA IMPORTANCIA DEL MANTENIMIENTO

El buen mantenimiento es esencial para conseguir una operación segura, económica, y exenta de problemas. Ayudará también a reducir la contaminación.

⚠ ADVERTENCIA

El mantenimiento inadecuado, o la falta de reparación de un problema antes de la operación, pueden ser causa de un mal funcionamiento en el que pueda correr el peligro de heridas graves o de muerte.

Siga siempre las recomendaciones de inspección y mantenimiento y los programas de este manual del propietario.

Para ayudarle a cuidar adecuadamente el motor, las páginas siguientes incluyen un programa de mantenimiento, procedimientos de inspección rutinarios, y simple procedimientos de mantenimiento empleando herramientas manuales básicas. Las otras tareas de servicio que son más difíciles, o que requieren herramientas especiales, es mejor que sean realizadas por profesionales y normalmente las lleva a cabo un mecánico de Honda u otro mecánico cualificado.

El programa de mantenimiento se aplica a las condiciones normales de operación. Si opera el motor en condiciones severas, tales como con una carga elevada continua o a altas temperaturas, o si lo utiliza en condiciones con mucha humedad o polvo, consulte a su concesionario de servicio Honda para que le proporcione las recomendaciones aplicables a sus necesidades y aplicaciones individuales.

El mantenimiento, reemplazo o reparación de los dispositivos y sistemas de control de las emisiones de escape pueden efectuarse en cualquier establecimiento de reparaciones de motores o por cualquier individuo, empleando partes que estén "homologadas" según las normas EPA.

SEGURIDAD DEL MANTENIMIENTO

A continuación se mencionan algunas de las precauciones de seguridad más importantes. No obstante, no podemos avisarle sobre todos los peligros concebibles que pueden surgir al realizar el mantenimiento. Solamente usted puede decidir si debe realizar un trabajo determinado.

⚠ ADVERTENCIA

Si no sigue correctamente las instrucciones y precauciones para el mantenimiento, correrá el peligro de graves heridas o de muerte.

Siga siempre con cuidado los procedimientos y precauciones de este manual del propietario.

PRECAUCIONES DE SEGURIDAD

- Asegúrese de que el motor esté desconectado antes de comenzar cualquier trabajo de mantenimiento o de reparación. Para evitar el arranque accidental, desconecte la tapa de la bujía. De este modo eliminará muchos peligros potenciales:
 - **Envenenamiento por monóxido de carbono de los gases de escape del motor.**
Efectúe la operación al aire libre alejado de ventanas o puertas abiertas.
 - **Quemaduras en las partes calientes.**
Espere a que se enfrien el motor y el sistema de escape antes de tocarlos.
 - **Daños debidos a las partes en movimiento.**
No ponga en marcha el motor a menos que se lo indiquen las instrucciones.
 - Lea las instrucciones antes de empezar, y asegúrese de disponer de las herramientas y conocimientos necesarios.
 - Para reducir la posibilidad de incendio o explosión, tenga cuidado cuando trabaje cerca de gasolina. Emplee sólo solventes ininflamables, y no emplee gasolina, para limpiar las partes. Mantenga apartados los cigarrillos, las chispas y el fuego de las partes relacionadas con el combustible.
- Recuerde que su concesionario de servicio autorizado Honda es quien mejor conoce su motor y que está completamente equipado para su mantenimiento y reparación.
Para asegurar la mejor calidad y fiabilidad, emplee sólo partes nuevas originales Honda Genuine o sus equivalentes para las reparaciones y reemplazos.

PROGRAMA DE MANTENIMIENTO

PERIODOS REGULARES DE SERVICIO (3) Realizar cada mes indicado o intervalo de horas de funcionamiento, lo que antes se cumpla.		Cada uso	Primer mes o 10 h.	Cada 3 meses o 25 h.	Cada 6 meses o 50 horas	Cada año o 100 horas	Cada 2 años o 300 horas	Consultar la página
ARTÍCULO								
Aceite del motor	Comprobar el nivel	o						9
	Cambiar		o		o			
Filtro de aire	Revisar	o						10-11
	Limpiar			o (1)				
	Sustituir					o (5)		
Bujía	Revisar-ajustar					o		11-12
	Sustituir						o	
Correa de distribución	Revisar	Tras 300 hrs. (2) (4)						Manual de taller
Parachispas (tipos aplicables)	Limpiar					o		13-14
Filtro de aceite (tipos aplicables)	Limpiar					o		14
Aletas de refrigeración del motor	Revisar				o			12
Tuercas, tornillos y elementos de fijación (Reapretar si fuera necesario)	Revisar	o						4
Zapatas del embrague	Revisar					o (2)		Manual de taller
Comprobar ajuste	Revisar-ajustar					o (2)		Manual de taller
Holgura de las válvulas	Revisar-ajustar					o (2)		Manual de taller
Limpieza de	Limpiar	Tras 300 hrs. (2)						Manual de taller
Filtro de combustible	Limpiar					o		12
Depósito de combustible	Limpiar					o		12
Tubos de combustible	Revisar	Cada 2 años (sustituir si fuera necesario) (2)						Manual de taller
Tubo de aceite	Revisar	Cada 2 años (sustituir si fuera necesario) (2)						Manual de taller

- (1) Realice el servicio con mayor frecuencia cuando lo utilice en zonas polvorrientas.
- (2) El servicio de estas partes deberá realizarlo su concesionario de servicio Honda, a menos que usted disponga de las herramientas adecuadas y posea suficientes conocimientos mecánicos. Para ver los procedimientos de servicio, consulte el manual de taller Honda.
- (3) Para aplicaciones comerciales, registre las horas de operación para poder determinar los intervalos adecuados de mantenimiento.
- (4) Compruebe que no existen grietas o desgaste anormal en la correa y sustituya si es necesario.
- (5) Sustituir el elemento de papel de filtro del tipo (GX35) solamente.

Si no sigue este programa de mantenimiento pueden producirse fallos que no estarán cubiertos por la garantía.

REPOSTAJE

Combustible recomendado

Gasolina sin plomo	
EE.UU.	86 octanos de bomba o superior
Excepto EE.UU.	91 octanos de investigación o superior
	86 octanos de bomba o superior

Este motor está homologado para funcionar con gasolina sin plomo con un valor de octanos de bomba de 86 o más alto (un valor de octanos de investigación de 91 o más alto).

Reposte siempre en un lugar bien ventilado con el motor parado. Si el motor ha estado funcionando, espere primero a que se enfríe. No reposte nunca el motor dentro de un edificio donde los gases de la gasolina pudieran llegar a fuegos o chispas.

Podrá emplear gasolina sin plomo con un contenido máximo del 10% de etanol (E10) o del 5% de metanol por volumen. Adicionalmente, el metanol debe contener cosolventes e inhibidores contra la corrosión. El empleo de combustible con un contenido de etanol o de metanol mayor que el indicado arriba puede ocasionar problemas en el arranque y/o en el funcionamiento. También puede causar daños en las partes metálicas, de goma, y de plástico del sistema de combustible. Los daños del motor o los problemas de funcionamiento debidos al empleo de un combustible con porcentajes de etanol o metanol mayores que los indicados arriba no están cubiertos por la Garantía.

Si su equipo se utiliza con poca frecuencia o de forma intermitente, consulte la sección sobre el "Combustible" del capítulo "ALMACENAJE DEL MOTOR" (vea la página 15) para encontrar más información sobre el deterioro del combustible.

No emplee nunca gasolina pasada o sucia ni mezcla de aceite/gasolina. Evitar que impurezas, polvo o agua entren al interior del depósito de combustible.

⚠ ADVERTENCIA

La gasolina es muy inflamable y explosiva, y correrá el peligro de quemaduras o de heridas graves al repostar.

- Pare el motor y mantenga apartados el calor, las chispas, y el fuego.
- Repueste sólo al aire libre.
- Frote inmediatamente el líquido derramado.

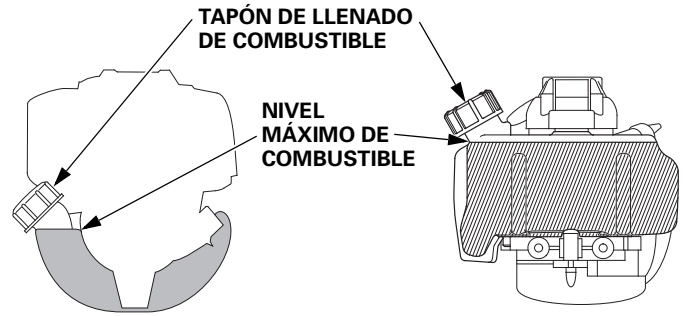
AVISO

El combustible puede dañar la pintura y ciertos tipos de plástico. Tenga cuidado para que no se derrame combustible mientras llena el depósito de combustible. La garantía no cubre daños causados por el derrame de combustible. Garantía limitada del distribuidor.

1. Compruebe el nivel de combustible mirando por el depósito de combustible translúcido.
2. Si el nivel de combustible es bajo, reposte combustible en un lugar bien ventilado con el motor parado. Si el motor ha estado funcionando, espere a que se enfríe.

Tipo estándar/bomba:

Tipo de cultivadora:



Para repostar, apoye el motor sobre una superficie nivelada con la tapa de relleno de combustible orientada hacia arriba, como se muestra. Extraiga la tapa de relleno de combustible, y llene el depósito con gasolina hasta la parte inferior del cuello de relleno. Repueste con cuidado para que no se derrame combustible. No llene excesivamente. No debe haber combustible en el cuello de relleno. Después de repostar, apriete con seguridad la tapa de relleno de combustible.

Mantenga la gasolina apartada de las luces piloto de los aparatos, barbacoas, aparatos eléctricos, herramientas eléctricas, etc.

El combustible derramado no sólo le hará correr el peligro de incendio, sino que además causa daños en el medio ambiente. Frote inmediatamente el líquido derramado.

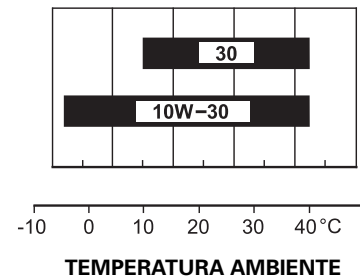
ACEITE DE MOTOR

El aceite es uno de los principales factores que afectan al rendimiento y a la vida útil.

Utilice aceite detergente para automóviles de 4 tiempos.

Aceite recomendado

Emplee aceite de motor de 4 tiempos que satisfaga o exceda los requisitos para la clasificación de servicio API de SJ o posterior (o equivalente). Compruebe siempre la etiqueta de servicio API del recipiente de aceite para asegurarse que incluye las letras SJ o posterior (o equivalente).



Se recomienda el SAE 10W-30 para aplicaciones generales. Las otras viscosidades mostradas en la gráfica pueden utilizarse cuando la temperatura media de su zona está dentro del margen indicado.

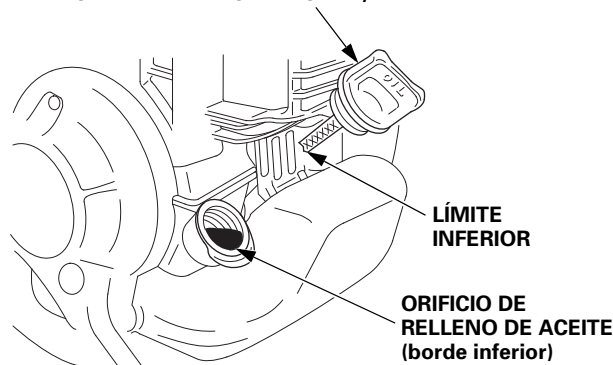
Comprobación del nivel de aceite

Compruebe el nivel del aceite de motor antes de cada utilización, o cada 10 horas si funciona continuamente.

Compruebe el nivel del aceite de motor con el motor parado y en una posición nivelada.

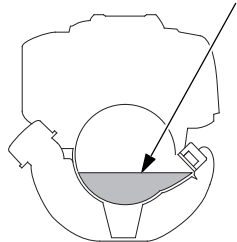
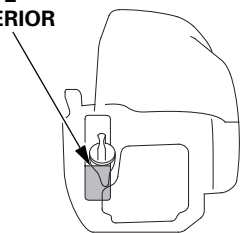
1. Extraiga la tapa de relleno/varilla de medición del nivel de aceite y frótelas para limpiarla.
2. Inserte y extraiga la tapa de relleno/varilla de medición del nivel de aceite sin enroscarla en el cuello de relleno de aceite, luego extráigala y compruebe el nivel de aceite indicado en la varilla de medición del nivel.
3. Si el nivel de aceite está cerca o por debajo de la marca del límite inferior de la varilla de medición del nivel, llene aceite del orificio de relleno de aceite. Para evitar el relleno excesivo o insuficiente, asegúrese de que el motor esté en una posición nivelada, como se muestra, mientras añade aceite.

TAPÓN DE LLENADO DE ACEITE/VARILLA DE NIVEL



LÍMITE SUPERIOR

LÍMITE SUPERIOR



4. Vuelva a instalar la tapa de relleno/varilla de medición del nivel de aceite y apriétela con seguridad.

AVISO

El motor puede dañarse si se utiliza con un nivel bajo de aceite. Este tipo de daños no está cubierto por la garantía limitada del distribuidor.

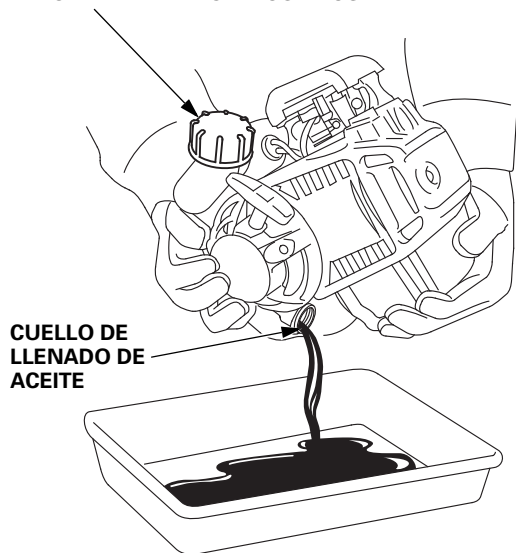
Cambio del aceite

Drene el aceite usado cuando el motor esté caliente. El aceite caliente se drena con más rapidez y por completo.

1. Compruebe que la tapa de relleno de combustible esté apretada con seguridad.
2. Ponga un recipiente adecuado debajo del motor para recibir el aceite usado.
3. Extraiga la tapa de relleno/varilla de medición del nivel de aceite y drene el aceite en el recipiente inclinando el motor hacia el cuello de relleno de aceite.

Descarte el aceite de motor usado de una manera que sea compatible con el medio ambiente. Le aconsejamos que lleve el aceite usado en un recipiente cerrado al centro de reciclaje de su localidad o a una gasolinera para que se encarguen de su eliminación. No lo tire a la basura, no lo derrame al suelo, ni lo vierta por una alcantarilla.

TAPÓN DE LLENADO DE COMBUSTIBLE



4. Con el motor en una posición nivelada, llene aceite del recomendado hasta el borde inferior del orificio de relleno de aceite (vea la página 8).

Después del drenaje quedará un poco de aceite en el motor. Cuando rellene aceite nuevo, empiece con menos de 80 cm³. Añada lentamente suficiente aceite para llenar hasta el borde inferior del orificio de relleno de aceite como se muestra abajo.

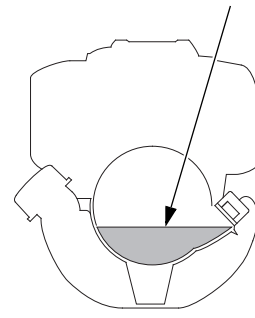
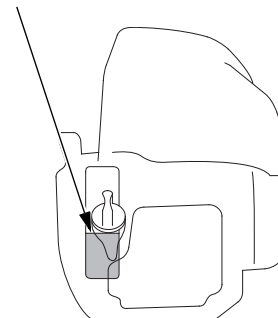
AVISO

El motor puede dañarse si se utiliza con un nivel bajo o excesivo de aceite. Este tipo de daños no está cubierto por la garantía limitada del distribuidor.



LÍMITE SUPERIOR

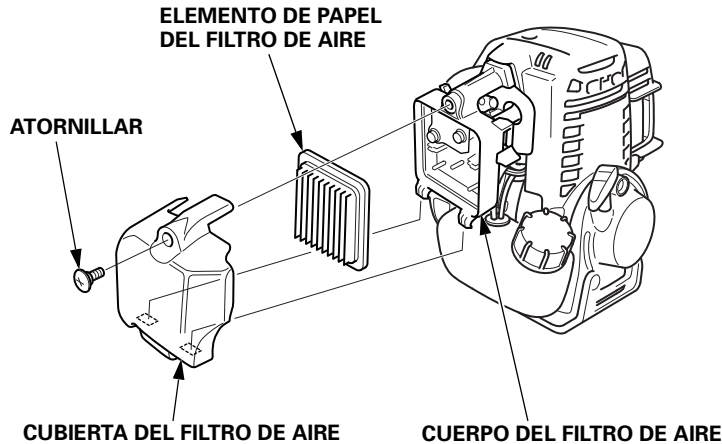
LÍMITE SUPERIOR



5. Vuelva a instalar con seguridad la tapa de relleno/varilla de medición del nivel de aceite. Si se derrama algo de aceite, límpielo.

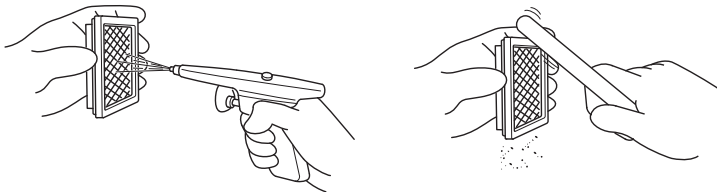
Limpieza (tipo de elemento de filtro de aire de papel)

1. Extraiga el tornillo de la cubierta del filtro de aire, y extraiga la cubierta.
2. Extraiga el elemento de papel del filtro de aire del cuerpo del filtro de aire.



3. Inspeccione el elemento del filtro de aire y sustitúyalo si está dañado. Reemplace siempre el elemento de papel del filtro de aire a los intervalos programados (vea la página 7).
4. Limpie el elemento del filtro de aire si va a volver a usarse.

Golpee varias veces el elemento de papel del filtro de aire contra una superficie dura para sacar la suciedad, o sople aire comprimido [sin exceder 200 kPa, (2,0 kgf/cm²)] por el elemento del filtro desde el lado del cuerpo del filtro de aire. No trate nunca de cepillar la suciedad; el cepillo forzaría la suciedad al interior de las fibras. Reemplace el elemento de papel del filtro de aire si está demasiado sucio.



5. Frote la suciedad desde el interior del cuerpo del filtro de aire y la cubierta, empleando un paño humedecido. Tenga cuidado para evitar que la suciedad se introduzca en el conducto de aire que va al carburador.
6. Vuelva a instalar el elemento de papel del filtro de aire en el cuerpo del filtro de aire.
7. Instale la cubierta del filtro de aire, y apriete bien el tornillo.

BUJÍA

Bujía recomendada: CM5H (NGK), CMR5H (NGK)

La bujía recomendada tiene el margen térmico correcto para las temperaturas normales de operación del motor.

AVISO

Una bujía incorrecta puede causar daños en el motor.

Para obtener un buen rendimiento, el huelgo de los electrodos de la bujía deberá ser correcto y no deberá haber carbonilla acumulada.

1. Extraiga la cubierta superior.
Afloje el perno hexagonal de 5 mm con una llave hexagonal, y extraiga luego la cubierta superior.

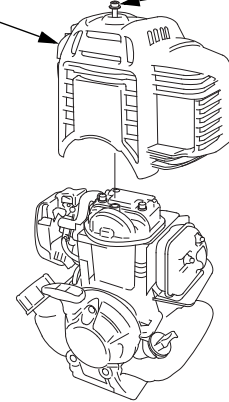
⚠ PRECAUCIÓN

No opere el motor cuando la cubierta superior esté extraída.
No tire de la empuñadura del arrancador de retroceso cuando la cubierta superior esté extraída.

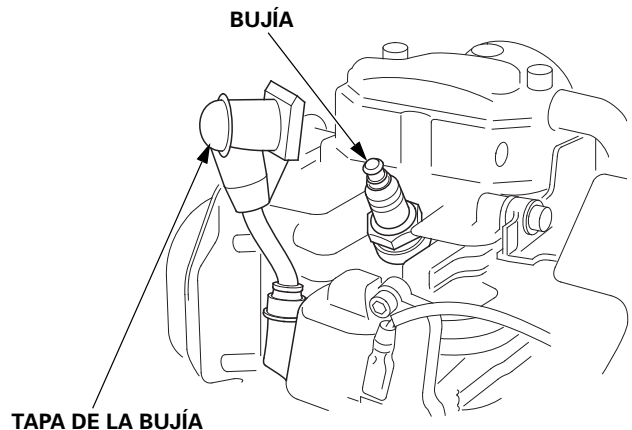
Las partes rotativas pueden causarle heridas y el silenciador puede causarle quemaduras.

CUBIERTA SUPERIOR

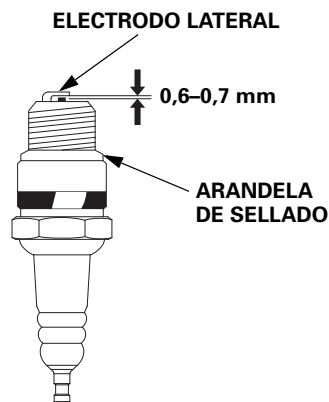
PERNO CAB. HEX. DE 5 mm



2. Desconecte la tapa de la bujía, y saque la suciedad que pudiera haber en torno al área de la bujía.
3. Extraiga la bujía con una llave para bujías de 5/8 pulgadas.



- Inspeccione la bujía. Reemplácela si está dañada o muy sucia, si la arandela de sellado está en mal estado, o si el electrodo está gastado.



- Mida el huelgo del electrodo de la bujía con un calibre de espesores del tipo de alambre. Corrija según sea necesario doblando el electrodo lateral. La holgura debe ser: 0,6 – 0,7 mm

- Instale con cuidado la bujía, con la mano, para evitar que se dañen las roscas.

- Después de haberse asentado la bujía, apriétela con una llave de bujías de 5/8 pulgadas para comprimir la arandela de estanqueidad.

Cuando instale una bujía nueva, apriétela 1/2 de vuelta después de haberse asentado la bujía para comprimir la arandela.

Cuando vuelva a instalar la bujía original, apriétela 1/8-1/4 de vuelta después de haberse asentado la bujía para comprimir la arandela.

AVISO

Una bujía floja puede causar sobrecalentamiento y daños en el motor.

El apriete excesivo de la bujía puede dañar las roscas de la culata de cilindros.

- Instale la tapa de la bujía en la bujía.

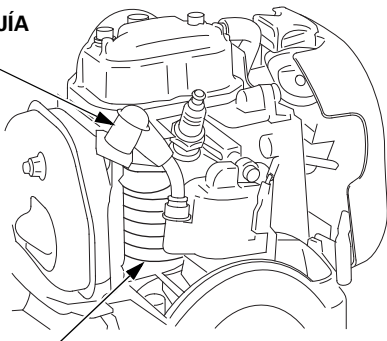
- Instale la cubierta superior, y apriete con seguridad el perno hexagonal de 5 mm con una llave hexagonal.

ALETAS DE REFRIGERACIÓN

Inspección

- Afloje el perno hexagonal de 5 mm, y extraiga luego la cubierta superior.
- Desconecte la tapa de la bujía.
- Inspeccione las aletas de enfriamiento del motor, y limpie la suciedad si es necesario.

TAPA DE LA BUJÍA



ALETAS DE REFRIGERACIÓN

- Vuelva a conectar la tapa de la bujía.

- Instale la cubierta superior, y apriete con seguridad el perno hexagonal de 5 mm.

FILTRO DE COMBUSTIBLE Y DEPÓSITO DE COMBUSTIBLE

Inspección del filtro de combustible y limpieza del depósito de combustible

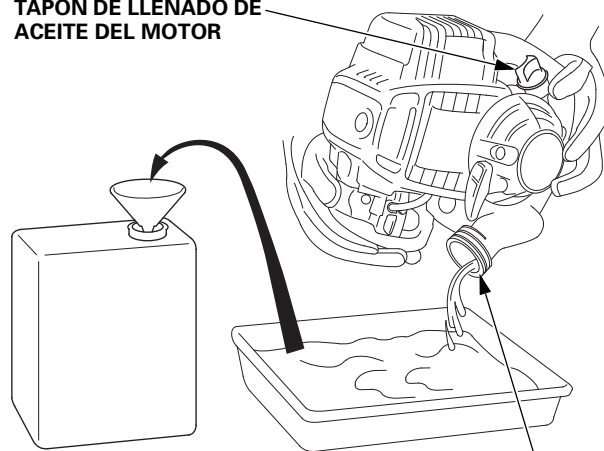
⚠ ADVERTENCIA

La gasolina es muy inflamable y explosiva, y correrá el peligro de quemaduras o de heridas graves al manipular el combustible.

- Pare el motor y mantenga apartados el calor, las chispas, y el fuego.
- Manipule el combustible sólo en exteriores.
- Frote inmediatamente el líquido derramado.

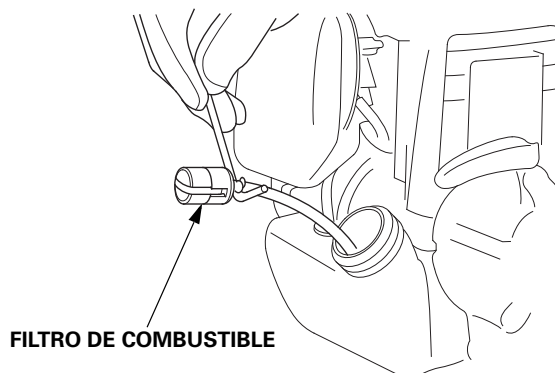
- Compruebe que la tapa de relleno de aceite de motor esté apretada con seguridad.
- Extraiga la tapa de relleno de combustible, y drene el combustible en un recipiente homologado para gasolina inclinando el motor hacia el cuello de relleno de combustible.

TAPÓN DE LLENADO DE ACEITE DEL MOTOR



CUELLO DE LLENADO DE COMBUSTIBLE

- Saque el filtro de combustible por el cuello de relleno de combustible enganchar el tubo de combustible negro con un trozo de cable, como pueda ser un clip de papel extendido.
- Inspeccione el filtro de combustible. Si el filtro de combustible está sucio, lávelo con cuidado con solvente ininflamable o de alto punto de inflamación. Reemplace el filtro de combustible si está excesivamente sucio.



FILTRO DE COMBUSTIBLE

- Extraiga el agua y la suciedad del depósito de combustible lavando el interior del depósito de combustible con solvente ininflamable o de alto punto de inflamación.
- Inserte el filtro de combustible en el depósito de combustible y apriete con seguridad la tapa de relleno de combustible.

PARACHISPAS (tipos aplicables)

El parachispas puede ser el estándar o uno opcional, dependiendo del tipo de motor. En algunas áreas, es ilegal operar un motor sin un parachispas. Verifique las leyes y regulaciones locales. Los concesionarios de servicio autorizados Honda tienen disponibles parachispas.

El servicio del parachispas debe realizarse cada 100 horas para que pueda seguir funcionando como ha sido diseñado.

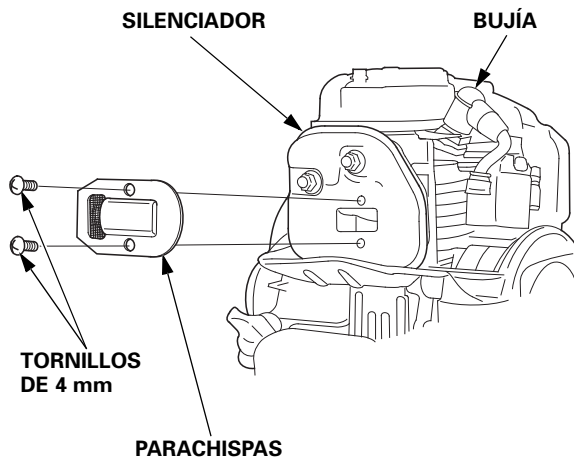
Si el motor había estado en marcha, el silenciador estará caliente. Deje que se enfríe antes de realizar el servicio del parachispas.

GX25

Tipo estándar/bomba:

Extracción del parachispas

1. Afloje el perno hexagonal de 5 mm, y extraiga luego la cubierta superior (vea la página 11).
2. Extraiga los tornillos de 4 mm del parachispas, y extraiga el parachispas del silenciador.

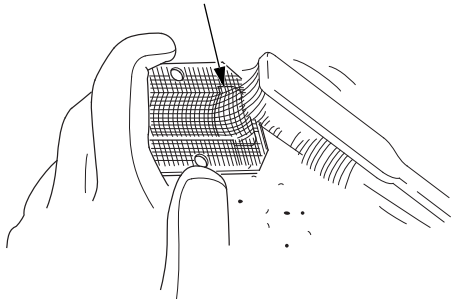


Inspección y limpieza del parachispas

1. Emplee un cepillo para sacar la carbonilla acumulada en la rejilla del parachispas. Tenga cuidado para no dañar la rejilla.

El parachispas deberá estar exento de roturas y agujeros. Reemplace el parachispas si está dañado.

REJILLA DEL PARACHISPAS



2. Instale el parachispas en el orden inverso al del desmontaje.

Cuando instale el parachispas, la salida del parachispas debe estar orientada al lado opuesto al de la bujía.

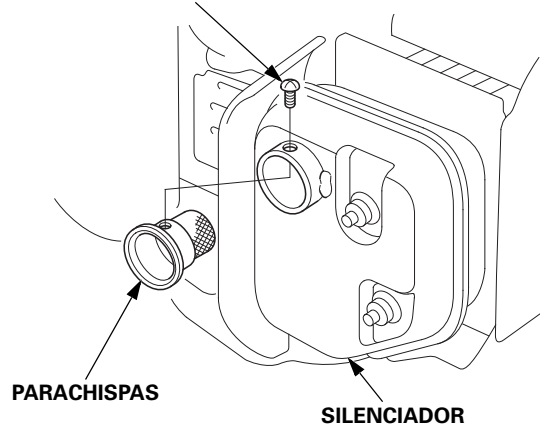
3. Instale la cubierta superior, y apriete con seguridad el perno hexagonal de 5 mm (vea la página 11).

Tipo de cultivadora

Extracción del parachispas

1. Afloje el perno hexagonal de 5 mm, y extraiga luego la cubierta superior (vea la página 11).
2. Extraiga el tornillo autorroscante de 3x6 mm del parachispas, y extraiga el parachispas del silenciador.

TORNILLO AUTORROSCANTE 3x6 mm

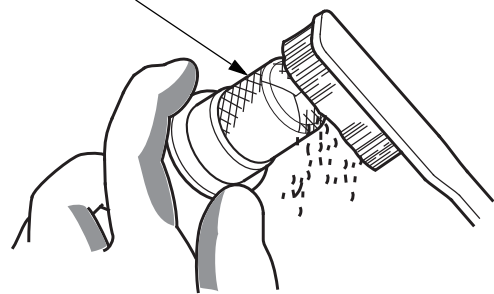


Inspección y limpieza del parachispas

1. Emplee un cepillo para sacar la carbonilla acumulada en la rejilla del parachispas. Tenga cuidado para no dañar la rejilla.

El parachispas deberá estar exento de roturas y agujeros. Reemplace el parachispas si está dañado.

REJILLA DEL PARACHISPAS



2. Instale el parachispas en el orden inverso al del desmontaje.

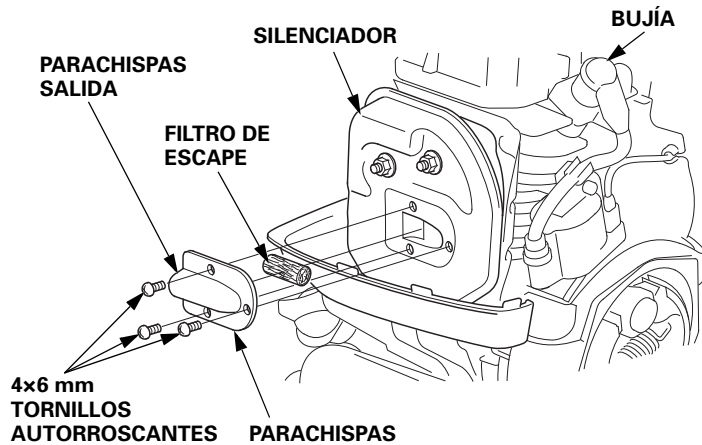
3. Instale la cubierta superior, y apriete con seguridad el perno hexagonal de 5 mm (vea la página 11).

GX35

Tipo estándar:

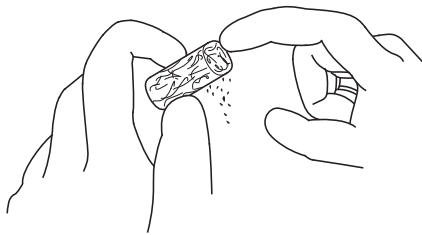
Extracción del parachispas

1. Afloje el perno hexagonal de 5 mm, y extraiga luego la cubierta superior (vea la página 11).
2. Extraiga los tornillos de autoenrosque de 4 × 6 mm del parachispas, y extraiga el parachispas y el filtro de escape del silenciador.



Limpieza e inspección del filtro de escape

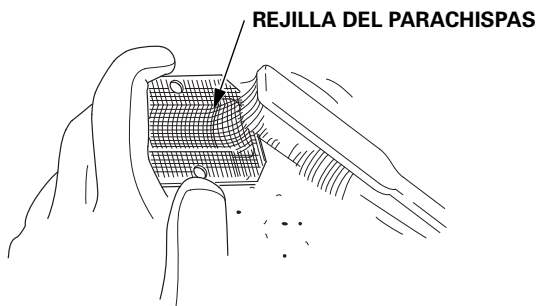
Sujete el filtro de escape, y golpéelo ligeramente con un dedo para extraer la carbonilla acumulada. Tenga cuidado para no golpearlo con demasiada fuerza. El filtro de escape deberá estar exento de roturas y agujeros. Si está dañada o excesivamente desgastada, haga que la reparen en su concesionario Honda.



Inspección y limpieza del parachispas

1. Emplee un cepillo para sacar la carbonilla acumulada en la rejilla del parachispas. Tenga cuidado para no dañar la rejilla.

El parachispas deberá estar exento de roturas y agujeros. Reemplace el parachispas si está dañado.



2. Instale el filtro de escape y el parachispas en el orden inverso al del desmontaje.

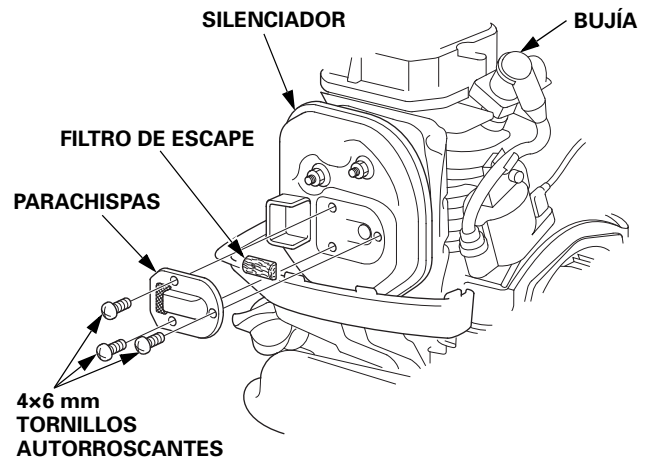
Cuando instale el parachispas, la salida del parachispas debe estar orientada al lado opuesto al de la bujía.

3. Instale la cubierta superior, y apriete con seguridad el perno hexagonal de 5 mm (vea la página 11).

Tipo de cultivadora:

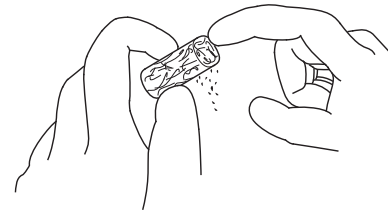
Extracción del parachispas

1. Afloje el perno hexagonal de 5 mm, y extraiga luego la cubierta superior (vea la página 11).
2. Extraiga los tornillos autorroscantes de 4 × 6 mm del parachispas, y extraiga el parachispas del silenciador.



Limpieza e inspección del filtro de escape

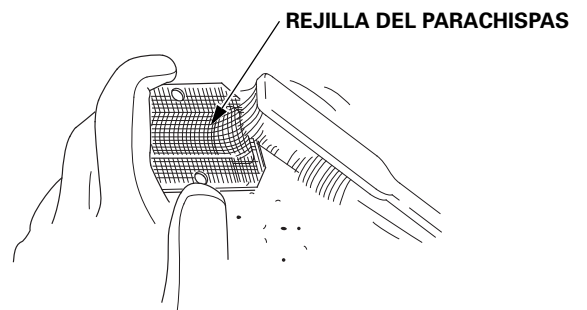
Sujete el filtro de escape, y golpéelo ligeramente con un dedo para extraer la carbonilla acumulada. Tenga cuidado para no golpearlo con demasiada fuerza. El filtro de escape deberá estar exento de roturas y agujeros. Si está dañada o excesivamente desgastada, haga que la reparen en su concesionario Honda.



Inspección y limpieza del parachispas

1. Emplee un cepillo para sacar la carbonilla acumulada en la rejilla del parachispas. Tenga cuidado para no dañar la rejilla.

El parachispas deberá estar exento de roturas y agujeros. Reemplace el parachispas si está dañado.



2. Instale el filtro de escape y el parachispas en el orden inverso al del desmontaje.

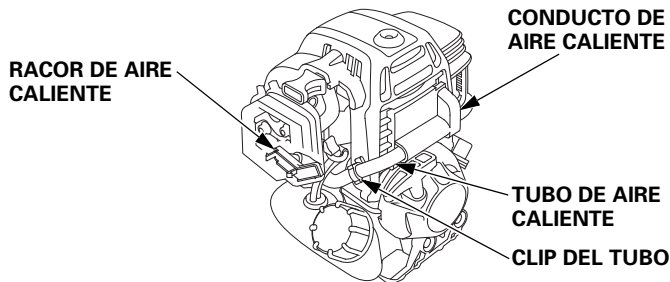
Cuando instale el parachispas, la salida del parachispas debe estar orientada al lado opuesto al de la bujía.

3. Instale la cubierta superior, y apriete con seguridad el perno hexagonal de 5 mm (vea la página 11).

EXTRACCIÓN/INSTALACIÓN DEL TUBO DE AIRE CALIENTE (tipos aplicables)

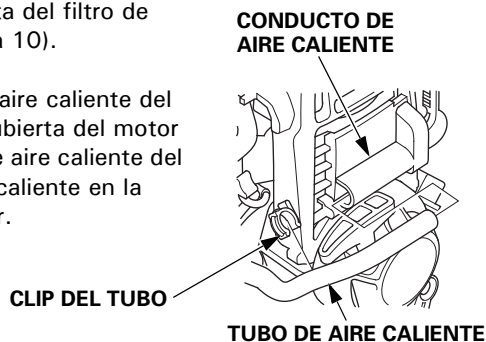
AVISO

- Normalmente emplee el motor con el tubo de aire caliente instalado, o puede ocasionar la formación de hielo.
- Cuando la temperatura ambiente sea elevada (30°C o superior), asegúrese de desmontar el tubo de aire caliente siguiendo el siguiente procedimiento antes de utilizar el motor. Utilizar el motor con el tubo de aire caliente instalado puede sobrecalentar el motor.
- Suelte el tubo de aire caliente del retén del tubo y desconéctelo del conducto de aire caliente antes de desmontar la cubierta superior para mantenimiento, etc. Después de instalar la cubierta superior, no olvide volver a colocar con seguridad el tubo de aire caliente en su posición original.



1. Extraiga la cubierta del filtro de aire (vea la página 10).

2. Suelte el tubo de aire caliente del retenedor en la cubierta del motor y saque el tubo de aire caliente del conducto de aire caliente en la cubierta del motor.



3. Extraiga la unión de aire caliente de la caja del filtro de aire.

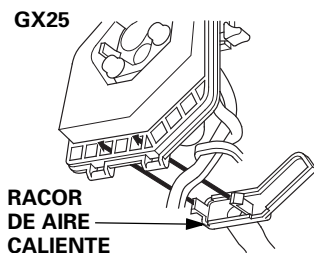
GX25: Presione el apéndice y empújelo a fondo hacia dentro para extraer la unión de aire caliente de la caja del filtro de aire.

GX35: Extraiga la unión de aire caliente de la caja del filtro de aire tirando hacia usted.

4. Desmonte el tubo de aire caliente con el racor colocado en él. Guarde cuidadosamente las piezas desmontadas en un lugar adecuado. Tenga cuidado para que no se pierdan.



5. Instale el tubo y el racor del aire caliente en el orden inverso al de desmontaje. (Solo GX25) Instale el racor de aire caliente en la carcasa del filtro de aire en la posición mostrada.



SUGERENCIAS Y CONSEJOS ÚTILES

ALMACENAJE DEL MOTOR

Preparativos para el almacenaje

Los preparativos adecuados para el almacenaje son esenciales para mantener el motor exento de problemas y con buena apariencia exterior. Los pasos siguientes ayudarán a evitar que la oxidación y la corrosión afecten el funcionamiento y el aspecto exterior del motor, y facilitarán el arranque del motor cuando lo vuelva a utilizar.

Limpieza

Si el motor ha estado en marcha, espere a que se enfríe por lo menos media hora antes de efectuar la limpieza. Limpie todas las superficies exteriores, retoque cualquier parte dañada con pintura, y revista las otras partes que puedan oxidarse con una capa fina de aceite.

AVISO

Si se emplea una manguera de jardín o un equipo de lavado a presión, el agua puede forzarse al interior del filtro de aire o a la abertura del silenciador. Al agua dentro del filtro de aire mojará el filtro de aire, y el agua que pasa por el filtro de aire o el silenciador puede introducirse en el cilindro, y ocasionar daños.

Combustible

AVISO

Dependiendo de la zona donde se proponga utilizar el equipo, las fórmulas del combustible pueden deteriorarse y oxidarse con rapidez. El deterioro y la oxidación del combustible pueden producirse en tan sólo 30 días y pueden causar daños en el carburador y/o en el sistema de combustible. Consulte las recomendaciones sobre el almacenaje local solicitando asistencia a su concesionario de servicio.

La gasolina se oxida y deteriora durante el almacenaje. La gasolina deteriorada dificulta el arranque, y deja acumulaciones de suciedad que obstruyen el sistema de combustible. Si se deteriora la gasolina del motor durante el almacenaje, es posible que tenga que solicitar el servicio o el reemplazo del carburador y de otros componentes del sistema de combustible.

El periodo de tiempo en el que la gasolina puede permanecer en el depósito de combustible y carburador sin causar problemas funcionales dependerá de diversos factores, como la mezcla de gasolina, la temperatura de almacenamiento y el nivel de carburante presente en el depósito. El aire dentro de un depósito de combustible parcialmente lleno deteriora el combustible. Las temperaturas de almacenamiento muy cálidas aceleran el deterioro del combustible. Los problemas de deterioro del combustible suelen ocurrir después de pocos meses, o incluso menos si la gasolina no era nueva cuando se llenó el depósito de combustible.

La garantía no cubre los daños al sistema del combustible ni los problemas de funcionamiento debidos a una preparación de la conservación inadecuada. *Garantía limitada del distribuidor.*

Podrá extender la vida de servicio durante el almacenaje del combustible añadiendo un estabilizador de gasolina que esté formulado para este propósito, o podrá evitar los problemas del deterioro del combustible drenando el depósito de combustible y el carburador.

Añadición de un estabilizador de gasolina para extender la duración de almacenaje del combustible

Cuando añada un estabilizador de gasolina, llene el depósito de combustible con gasolina nueva. Si sólo lo llena parcialmente, el aire que quede en el depósito acelerará el deterioro durante el almacenaje. Si conserva un recipiente de gasolina para repostar, asegúrese de que sólo contenga gasolina nueva.

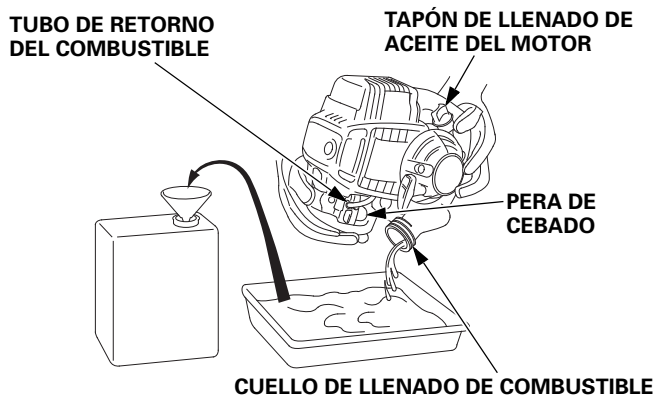
1. Añada el estabilizador de gasolina siguiendo las instrucciones del fabricante.
2. Después de añadir un estabilizador de gasolina, deje en marcha el motor al aire libre durante 10 minutos para asegurarse de que la gasolina tratada ha reemplazado a la gasolina que no está tratada en el carburador.
3. Pare el motor.

⚠ ADVERTENCIA

La gasolina es muy inflamable y explosiva, y correrá el peligro de quemaduras o de heridas graves al manipular el combustible.

- Pare el motor y mantenga apartados el calor, las chispas, y el fuego.
- Manipule el combustible sólo en exteriores.
- Frote inmediatamente el líquido derramado.

1. Asegúrese de que la tapa de relleno de aceite de motor esté apretada con seguridad.
2. Extraiga la tapa de relleno de combustible y drene el combustible en un recipiente homologado para gasolina inclinando el motor hacia el cuello de relleno de combustible.
3. Presione varias veces la pera de cebado hasta que no quede combustible en el tubo de retorno de combustible.
4. Incline otra vez el motor hacia el cuello de relleno de combustible para drenar el combustible.



5. Después de haberse drenado el combustible, vuelva a instalar con seguridad la tapa de relleno de combustible.

Aceite de motor

1. Cambie el aceite de motor (vea la página 9).
2. Afloje el perno hexagonal de 5 mm, y extraiga luego la cubierta superior (vea la página 11).
3. Extraiga la bujía (vea la página 11).
4. Aplique un par de gotas de aceite de motor limpio al cilindro.
5. Instale provisionalmente la cubierta superior.
6. Tire varias veces de la empuñadura del arrancador para que el aceite se distribuya por el cilindro.
7. Extraiga la cubierta superior, y reinstale la bujía.
8. Instale la cubierta superior, y apriete con seguridad el perno hexagonal de 5 mm (vea la página 11).
9. Tire lentamente de la empuñadura del arrancador hasta que note resistencia.

Precauciones para el almacenaje

Si el motor debe almacenarse con gasolina en el depósito de combustible y en el carburador, es importante reducir el peligro de que se enciendan los gases de la gasolina. Seleccione un lugar de almacenaje bien ventilado apartado de todos los aparatos que funcionen con fuego, como puedan ser los hornos, calentadores de agua, o secadoras para la ropa. Evite también los lugares con motores eléctricos que produzcan chispas, o donde se utilicen herramientas eléctricas.

Si es posible, evite los lugares de almacenaje con mucha humedad, porque aceleran la oxidación y la corrosión.

Mantenga el motor nivelado durante el almacenaje. La inclinación podría ocasionar fugas de combustible o de aceite.

Cuando el motor y el sistema de escape estén fríos, cubra el motor para protegerlo contra el polvo. Si el motor y el sistema de escape están calientes pueden hacer que se enciendan o derritan algunos materiales. No emplee un trozo de plástico como cubierta contra el polvo.

Una cubierta que no sea porosa no dejará escapar la humedad en torno al motor, acelerando la oxidación y la corrosión.

Salida del almacenaje

Compruebe el motor como se describe en la sección de **COMPROBACIONES PREVIAS A LA OPERACIÓN** de este manual (vea la página 4).

Si se había drenado el combustible durante los preparativos para el almacenaje, llene el depósito con gasolina nueva. Si conserva un recipiente de gasolina para repostar, asegúrese de que sólo contenga gasolina nueva. La gasolina se oxida y se deteriora con el tiempo, dificultando el arranque.

Si se había revestido el cilindro con aceite durante los preparativos para el almacenaje, el motor produce un poco de humo al principio. Esto es normal.

TRANSPORTE

Si el motor ha estado en marcha, espere como mínimo 15 minutos a que se enfríe antes de cargar el equipo motorizado en el vehículo de transporte. Si el motor y el sistema de escape están calientes pueden causarle quemaduras y hacer que se enciendan algunos materiales.

CUIDADOS PARA PROBLEMAS INESPERADOS

NO ARRANCA EL MOTOR

Causa posible	Corrección
Estrangulador abierto.	Mueva la palanca a la posición CLOSED excepto si el motor está caliente.
Interruptor del motor APAGADO. (en el equipo)	Gire el interruptor del motor a la posición ON.
Sin combustible.	Repueste (p. 8).
Combustible en mal estado; motor guardado sin tratamiento o drenaje de la gasolina o repostado con gasolina en mal estado.	Drene el depósito de combustible y el carburador (p. 16). Repueste con gasolina nueva (p. 8).
Bujía averiada, desgastada o con huelgo incorrecto.	Coloque o sustituya la bujía (p. 11).
Bujía mojada con combustible (motor inundado).	Deje que la bujía se seque. Después de secarse, instale la bujía y arranque el motor (p. 4).
Filtro de combustible obstruido, avería del carburador, mal funcionamiento del encendido, válvulas atascadas, etc.	Lleve el motor a su concesionario de servicio o consulte el manual de taller.

FALTA DE POTENCIA EN EL MOTOR

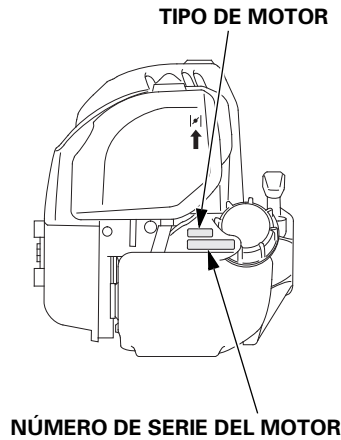
Causa posible	Corrección
Elemento de filtro obstruido.	Limpie o reemplace el elemento del filtro (p. 10–11).
Combustible en mal estado; motor guardado sin tratamiento o drenaje de la gasolina o repostado con gasolina en mal estado.	Drene el depósito de combustible y el carburador (p. 16). Repueste con gasolina nueva (p. 8).
Filtro de combustible obstruido, avería del carburador, mal funcionamiento del encendido, válvulas atascadas, etc.	Lleve el motor a su concesionario de servicio o consulte el manual de taller.

INFORMACIÓN TÉCNICA Y DEL CONSUMIDOR

INFORMACIÓN TÉCNICA

Situación del número de serie

Anote el número de serie del motor, el tipo y la fecha de adquisición en los espacios siguientes. Necesitará esta información cuando realice pedidos de partes y consultas técnicas o sobre la garantía.



Número de serie del motor: _____ - _____

Tipo de motor: _____

Fecha de adquisición: ____ / ____ / ____

Enlace de control remoto

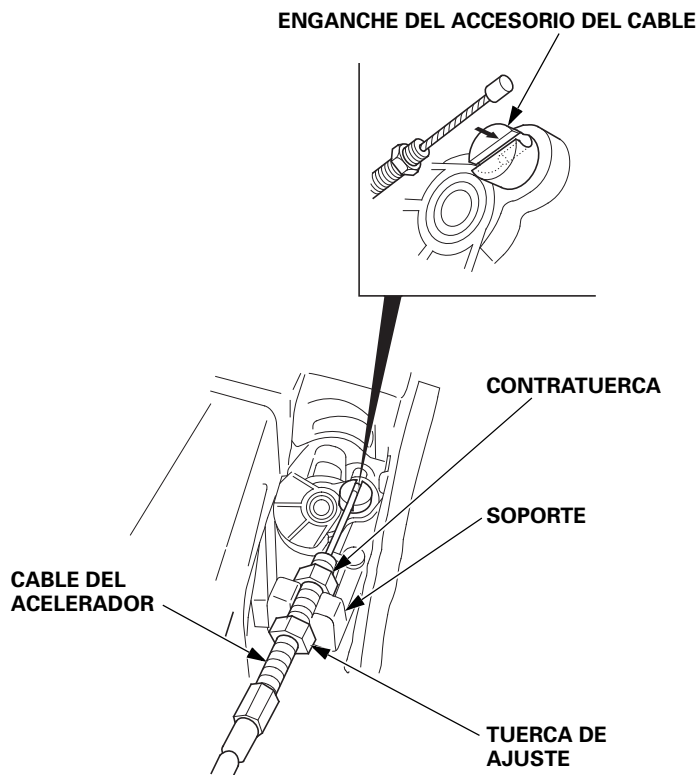
Tipo estándar/cultivadora:

La palanca de control del acelerador está provista de un dispositivo de enganche para colocar el cable.

Extraiga la cubierta del filtro de aire (vea la página 10) para poder acceder a la palanca del acelerador y el dispositivo de enganche del cable.

Coloque el cable del acelerador como se muestra en la ilustración.

Para ajustar el cable del acelerador, siga las instrucciones del fabricante del equipo.



Modificación del carburador para funcionar a gran altitud

A grandes altitudes, la mezcla normal de aire-combustible del carburador será demasiado rica. Disminuirá el rendimiento y aumentará el consumo de combustible. Si la mezcla es demasiado rica, ensuciará también la bujía y puede dificultar el arranque. El funcionamiento a una altitud distinta de la certificada para este motor, durante períodos prolongados de tiempo, puede ocasionar un incremento en las emisiones de escape.

El rendimiento a grandes altitudes podrá mejorarse mediante modificaciones específicas en el carburador. Si siempre opera el motor a altitudes de más de 1.500 metros, solicite a su concesionario de servicio que efectúe esta modificación del carburador. Este motor conformará cada una de las normas sobre las emisiones de escape durante toda su vida de servicio cuando se opere a gran altitud con las modificaciones del carburador para funcionar a grandes altitudes.

Incluso con la modificación del carburador, la potencia del motor se reducirá aproximadamente el 3,5 % por cada 300 m de incremento de la altitud. El efecto de la altitud en la potencia del motor será mayor si no se efectúan las modificaciones del carburador.

AVISO

Quando se haya modificado el carburador para funcionar a gran altitud, la mezcla de aire-combustible será demasiado pobre para funcionar a bajas altitudes. El funcionamiento a altitudes de menos de 1.500 metros con el carburador modificado puede causar sobrecalentamiento del motor y ocasionar serios daños en el motor. Para el funcionamiento a bajas altitudes, solicite a su concesionario de servicio que reajuste el carburador a las especificaciones originales de fábrica.

Información del sistema de control de las emisiones de escape

Origen de las emisiones de escape

El proceso de combustión produce monóxido de carbono, óxidos de nitrógeno, e hidrocarburos. El control de los hidrocarburos y de los óxidos de nitrógeno es muy importante porque, bajo ciertas condiciones, reaccionan para formar humo fotoquímico cuando se exponen a la luz solar. El monóxido de carbono no reacciona del mismo modo, pero es tóxico.

Honda emplea ajustes del carburador de mezcla pobre y otros sistemas para reducir las emisiones de monóxido de carbono, de óxidos de nitrógeno, y de hidrocarburos.

Acta sobre el aire limpio de California, EE.UU., y sobre el medio ambiente de Canadá

Las regulaciones de EPA, de California, y Canadá estipulan que todos los fabricantes deben proporcionar instrucciones escritas que describan la operación y el mantenimiento de los sistemas de control de las emisiones de escape.

Deberán seguirse las instrucciones y procedimientos siguientes para mantener las emisiones de escape del motor Honda dentro de lo estipulado por las normas sobre las emisiones de escape.

Manipulación indebida y alteraciones

La manipulación indebida o las alteraciones del sistema de control de las emisiones de escape pueden incrementar las emisiones hasta sobrepasar el límite legal. Entre los actos que constituyen manipulación indebida se encuentran:

- Extracción o alternación de cualquier parte de los sistemas de admisión, combustible, o escape.
- Alternación o supresión de la articulación del regulador o del mecanismo de ajuste de la velocidad para que el motor funcione fuera de sus parámetros de diseño.

Problemas que pueden afectar las emisiones de escape

Si percibe alguno de los síntomas siguientes, solicite a su distribuidor de servicio que inspeccione y repare el motor.

- Cuesta arrancar o se cala después de arrancar.
- Ralentí irregular.
- Fallos de encendido o detonaciones bajo carga.
- Combustión retardada (detonaciones).
- Humo negro de escape o alto consumo de combustible.

Repuestos

Los sistemas de control de las emisiones de escape de su motor Honda han sido diseñados, fabricados y certificados para conformar las regulaciones de las emisiones de escape estipuladas por EPA, de California y Canadá. Recomendamos el empleo de repuestos genuinos de Honda cuando se haga el mantenimiento. Estos repuestos de diseño original están fabricados con las mismas normas que las partes originales, por lo que podrá confiar en su rendimiento. El empleo de repuestos que no son de diseño y calidad originales puede degradar la efectividad de su sistema de control de las emisiones de escape.

Los fabricantes del mercado de repuestos asumen la responsabilidad de que el repuesto no afectará adversamente el rendimiento de las emisiones de escape. El fabricante o el remodelador del repuesto deberá certificar que el empleo del repuesto no ocasionará fallas del motor para que éste pueda cumplir las regulaciones sobre las emisiones de escape.

Mantenimiento

Siga el programa de mantenimiento de la página 7. Recuerde que este programa se basa en la suposición de que su máquina se utiliza para su propósito original. El funcionamiento continuado con grandes cargas o altas temperaturas, o la utilización en condiciones de mucha humedad o polvo, requerirá que se realice el servicio con más frecuencia.

Índice de aire (Modelos homologados para la venta en California)

En los motores que están certificados para un período de durabilidad de las emisiones de acuerdo con las estipulaciones del Consejo de recursos de aire de California se le cuelga o adhiere una etiqueta de información sobre el índice de aire.

El gráfico de barras tiene el propósito de proporcionarle a usted, nuestro cliente, la posibilidad de comparar el rendimiento de las emisiones de escape de los motores disponibles. Cuanto más bajo es el índice de aire, menos contaminación produce.

La descripción de la durabilidad tiene el propósito de informarle sobre el período de durabilidad de las emisiones de escape del motor.

El término descriptivo indica el período de vida de servicio del sistema de control de las emisiones de escape del motor. Consulte la *garantía del sistema de control de las emisiones de escape* para encontrar más información al respecto.

Término descriptivo	Aplicable al período de durabilidad de las emisiones
Moderado	50 horas (0–80 cc, incluido) 125 horas (más que 80 cc)
Intermedio	125 horas (0–80 cc, incluido) 250 horas (más que 80 cc)
Extendido	300 horas (0–80 cc, incluido) 500 horas (más que 80 cc) 1.000 horas (225 cc y más)

La etiqueta de información del índice de aire que está colgada o adherida al motor, deberá permanecer en el motor hasta el momento de su venta. Antes de poner en funcionamiento el motor, extraiga la etiqueta colgada.

Especificaciones

GX25 (Tipos básicos)

Código de descripción	GCART
Largo × Ancho × Alto	198 × 221 × 230 mm
Masa en seco [Peso]	2,90 kg
Tipo de motor	Cuatro tiempos, árbol de levas en cabeza, monocilíndrico
Cilindrada [Diámetro × carrera]	25,0 cm ³ [35,0 × 26,0 mm]
Potencia neta (según SAE J1349*)	0,72 kW (1,0 PS) a 7.000 rpm
Par máx. neto (según SAE J1349*)	1,0 N·m (0,10 kgf·m) a 5.000 rpm
Capacidad del aceite del motor	0,08 L
Capacidad del depósito de combustible	Tipo estándar/bomba: 0,53 L Tipo de cultivadora: 0,54 L
Sistema de refrigeración	Aire forzado
Sistema de encendido	Arranque por magneto-transistor
Rotación del eje de la TDF	Hacia la izquierda

GX35 (Tipos básicos)

Código de descripción	GCAST
Largo × Ancho × Alto	205 × 234 × 240 mm
Masa en seco [Peso]	3,46 kg
Tipo de motor	Cuatro tiempos, árbol de levas en cabeza, monocilíndrico
Cilindrada [Diámetro × carrera]	35,8 cm ³ [39,0 × 30,0 mm]
Potencia neta (según SAE J1349*)	1,0 kW (1,4 PS) a 7.000 rpm
Par máx. neto (según SAE J1349*)	1,6 N·m (0,16 kgf·m) a 5.500 rpm
Capacidad del aceite del motor	0,10 L
Capacidad del depósito de combustible	Tipo estándar/bomba: 0,63 L Tipo de cultivadora: 0,64 L
Sistema de refrigeración	Aire forzado
Sistema de encendido	Arranque por magneto-transistor
Rotación del eje de la TDF	Hacia la izquierda

* La potencia nominal del motor indicada en este documento es la potencia de salida neta probada en un modelo de motor de la línea de producción y medida conforme a la norma SAE J1349 en el 7.000 rpm (potencia neta) y en el GX25: 5.000 rpm, GX35: 5.500 rpm (par motor neto máx.). Los motores de fabricación en masa diferirán de este valor.

La potencia de salida real del motor instalado en el vehículo final variará dependiendo de numerosos factores, entre los que destacan la velocidad de funcionamiento aplicada al motor, las condiciones medioambientales, el mantenimiento y otras variables.

Especificaciones de reglaje

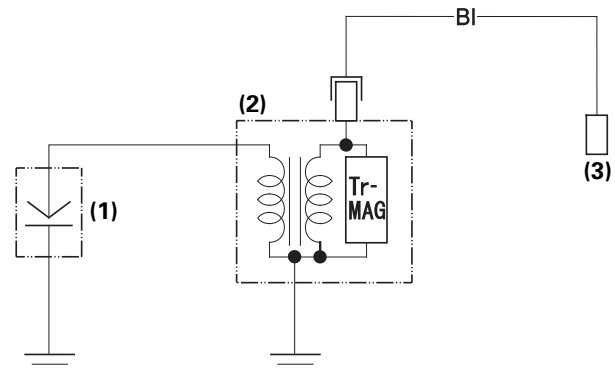
ARTÍCULO	ESPECIFICACIÓN	MANTENIMIENTO
Huelgo de bujía	0,6–0,7 mm	Consultar la página: 11
Comprobar ajuste	3.100 ± 200 rpm	Consulte a su concesionario autorizado Honda
Holgura de la válvula (frío)	IN: 0,08 ± 0,02 mm ES: 0,11 ± 0,02 mm	
Otras especificaciones	No se necesita ningún otro ajuste.	

Información de referencia rápida

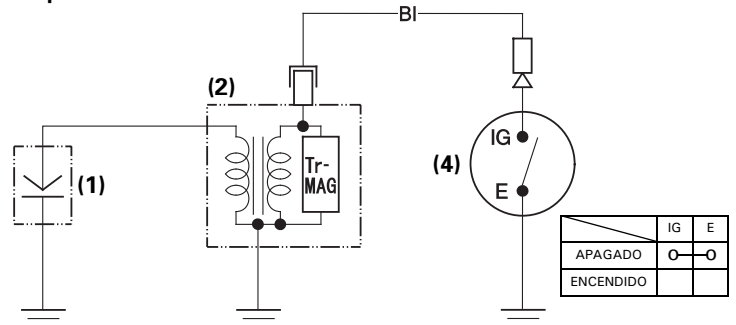
Combustible	Gasolina sin plomo (Consulte la página 8)	
	EE.UU.	86 octanos de bomba o superior
	Excepto EE.UU.	91 octanos de investigación o superior
Aceite del motor	SAE 10W-30, API SJ o posterior, para usos generales. Consultar la página 8.	
Bujía	CM5H (NGK) CMR5H (NGK)	
Mantenimiento	Antes de cada uso:	
	<ul style="list-style-type: none"> • Compruebe el nivel de aceite del motor. Consultar la página 9. • Compruebe el filtro de aire. Consultar la página 10. 	
	Primeras 10 horas: Cambie el aceite del motor. Consultar la página 9.	
Siguiendo: Consultar el programa de mantenimiento de la página 7.		

Diagramas de cableado

Tipo estándar/cultivadora:



Tipo de bomba:



- (1) BUJÍA
- (2) BOBINA DE ENCENDIDO
- (3) Interruptor del motor en el equipo alimentado por el motor.
- (4) INTERRUPTOR DEL MOTOR

BI	Negro
----	-------

INFORMACIÓN DEL CONSUMIDOR

Garantía e información para encontrar distribuidores/concesionarios

Estados Unidos, Puerto Rico, e Islas Vírgenes Estadounidenses:

Visite nuestro sitio en la Web: www.honda-engines.com

Canadá:

Llame al (888) 9HONDA9

o visite nuestro sitio Web: www.honda.ca

Para la zona de Europa:

Visite nuestro sitio en la Web: <http://www.honda-engines-eu.com>

Información de Atención al Cliente

El personal de los concesionarios de servicio son profesionales entrenados. Ellos podrán contestar a cualquier pregunta que usted les haga. Si se encuentra con un problema que su concesionario no puede resolver para dejarle satisfecho, comuníquese al jefe del concesionario. El jefe de servicio, el director general, o el propietario podrán ayudarle. Casi todos los problemas se resuelven de este modo.

Estados Unidos, Puerto Rico, e Islas Vírgenes Estadounidenses:

Si no queda satisfecho con la decisión tomada por los jefes del concesionario, póngase en contacto con el distribuidor regional de motores Honda de su localidad.

Si todavía no está satisfecho después de hablar con el distribuidor de motor regional, podrá ponerse en contacto con la Oficina de Honda como se muestra.

Todas las otras zonas:

Si no queda satisfecho con la decisión tomada por los jefes del concesionario, póngase en contacto con la Oficina de Honda como se muestra.

«Oficina de Honda»

Cuando escriba o llame, tenga la amabilidad de incluir la información siguiente:

- Nombre del fabricante y número de modelo del equipo al que se ha montado el motor
- Modelo, número de serie, y tipo del motor (vea la página 17)
- Nombre del concesionario que le vendió el motor
- Nombre, dirección, y persona de contacto del concesionario que realiza el servicio de su motor
- Fecha de adquisición
- Su nombre, dirección y número de teléfono
- Una descripción detallada del problema

Estados Unidos, Puerto Rico, e Islas Vírgenes Estadounidenses:

American Honda Motor Co., Inc.

Power Equipment Division
Oficina de relaciones con el cliente
4900 Marconi Drive
Alpharetta, GA 30005-8847

O llamar por teléfono: (770) 497-6400, 8:30 am - 7:00 pm ET

Canadá:

Honda Canada, Inc.

Visite www.honda.ca
para obtener información sobre direcciones

Teléfono: (888) 9HONDA9 Llamada gratuita
(888) 946-6329

Fax: (877) 939-0909 Llamada gratuita

Para la zona de Europa:

Honda Motor Europe Logistics NV.

European Engine Center

<http://www.honda-engines-eu.com>

Todas las otras zonas:

Póngase en contacto con el distribuidor Honda de su zona para que le ayude.

HONDA
The Power of Dreams