

# Safeguard special events with X-Ray technology

## XIS-6040 SE

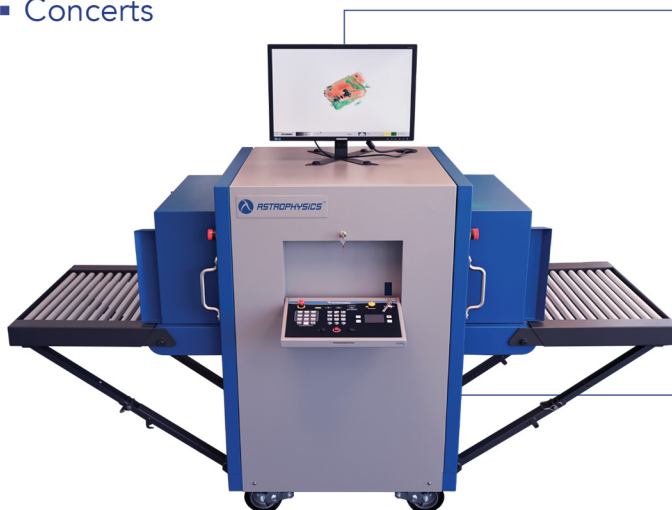
Astrophysics, Inc.'s special events X-Ray screener, the 6040 SE, matches form to function for the perfect means to protect property, events and lives. This simple, efficient security solution is designed for large indoor and outdoor occasions.

The 6040 SE screens for explosives, guns, knives, cameras and contraband for any unique event purpose in order to prevent threats and disruption to operations.

From a launch party to various events at sport centers, festivals and exhibition halls, this lean, compact and powerful mobile unit provides security solutions that keep events running safely and smoothly.

### Deploy the 6040 SE at:

- Conventions
- Schools
- Concerts
- VIP events
- Arenas, venues and stadiums



With a foldable screen, excellent shock absorption and a catch tray on the conveyor belt that drains liquid spills — keeping electronics safe — the **6040 SE** is ideal for securing special events. With no tools needed and quick, easy setup, the X-Ray special events unit is simple to maintain, operate and store.



Toll Free  
1-800-930-3766  
[www.securitydetection.com](http://www.securitydetection.com)

# XIS-6040 SE



## GENERAL SPECIFICATIONS

- Tunnel Opening: 600 cm x 400 cm (W x H)
- Dimensions (Deployed)<sup>2</sup>: 242.6 cm x 80.4 cm x 184.2 cm (L x W x H)
- Dimensions (Folded)<sup>2</sup>: 146.8 cm x 80.4 cm x 184.2 cm (L x W x H)
- Net Weight<sup>2</sup>: 440 kg (970 lbs.)
- Shipping Weight<sup>2</sup>: 558 kg (1230 lbs.)
- Conveyor Speed: 23 cm/s (45 ft/min) Forward or Reverse
- Conveyor Height: 83.9 cm (33.03") from Floor
- Conveyor Capacity: 165 kg (364 lbs) Evenly Distributed Load

## TECHNICAL

- Wire Sensitivity: 40 AWG Typical, 38 AWG Standard
- Spatial Resolution: 1.0 mm Horizontal, 1.0 mm Vertical
- Steel Penetration<sup>1</sup>: 39 mm Typical, 37 mm Standard
- Contrast Sensitivity: 24 Visible Levels
- Film Safety: Guaranteed up to ISO 1600 (33 DIN)

## X-RAY GENERATOR

- Voltage: 160kV, Operating at 150kV
- Tube Current: 0.7 mA
- Cooling: Sealed Di-Electric Oil Bath with Forced Air
- Duty Cycle: 100%, No Warm-Up Procedure Required
- Beam Direction: Diagonally Upward

## COMPUTER

- Processor: Intel® Core i5
- Memory: 4 GB RAM
- Storage: 1 TB HDD, 240 GB SSD
- Platform: Windows® OS
- Backup: Uninterruptible Power Supply (Computer Operation - 20 min)

## VIDEO IMAGING

- Enhanced Imaging
- Display Type: Single 24" LCD Color Monitor
- Display Resolution: 1920 x 1200; 24 Bit/Pixel Color

## ENVIRONMENTAL

- Operating Temperature: 0°C - 40°C \ 32°F - 104°F
- Storage Temperature: -20°C - 60°C \ -4°F - 140°F
- Humidity: Up To 95% Non-Condensing

## ELECTRICAL

- Power Requirements: 110VAC ±10%, 50/60Hz, 15 Amp Max  
220VAC ±10%, 50/60Hz, 10 Amp Max

## HEALTH AND SAFETY

- Compliant with USFDA, Center for Devices and Radiation Health Standards for Cabinet X-Ray Systems (21-CFR 1020.40).
- Typical Radiation leakage is less than 0.1 mR/hr (Leakage less than 0.5 mR/hr permitted by the Federal Standard).

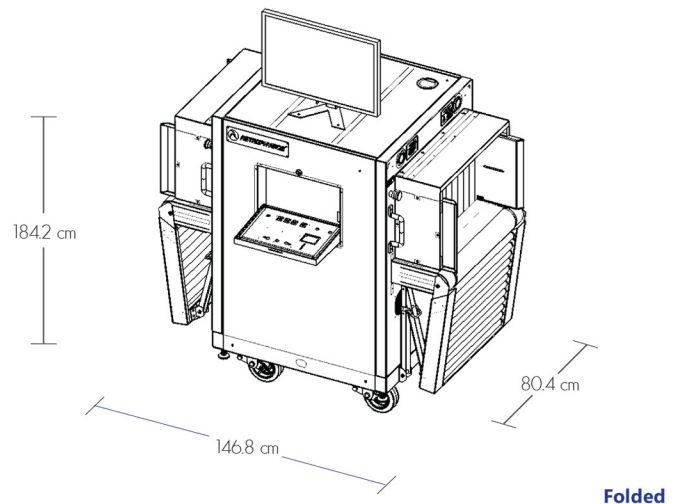
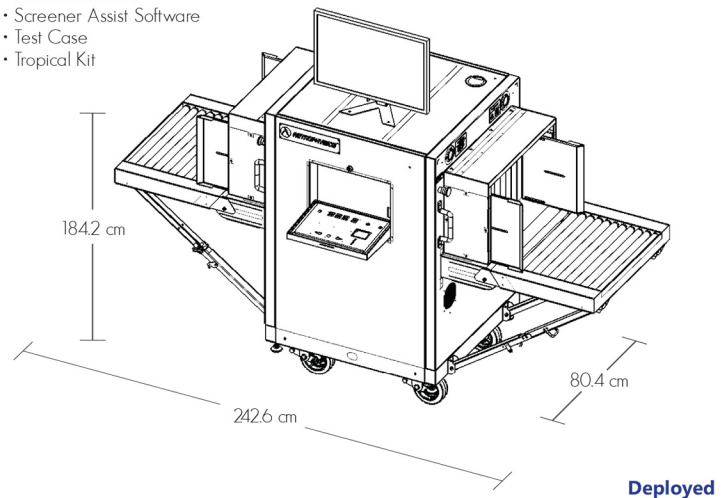


## STANDARD FEATURES

- 6 Color Imaging
- 9 Quadrant Zoom
- Atomic Z-Number Measurement
- Auto Image Archiving (150,000)
- Baggage Counter
- Color and Black / White Imaging
- Continuous Scanning
- Continuous Zoom up to 64x
- Geometric Image Distortion Correction
- High Penetration Function
- Heavy Duty Casters (Independent Suspension)
- Image Annotation
- Image Review
- JPEG Conversion
- Material Discrimination
- Multi-tier Accessibility
- Network Ready
- Organic / Inorganic Imaging
- Operator Training Program (OTP)
- Real-Time Picture Perfect
- Print Image Capable
- Pseudo Color
- Real-Time Image Manipulation
- Real-Time Self Diagnostics
- Reverse Monochrome
- Save Image (RGB)
- Vertical Zoom Panning

## OPTIONAL FEATURES<sup>3</sup>

- Artificial Intelligence (AI)
- Custom Paint
- Density Alert Advanced
- Polar Kit
- Radiation Meter
- Screener Assist Software
- Test Case
- Tropical Kit



Toll Free  
1-800-930-3766  
www.securitydetection.com