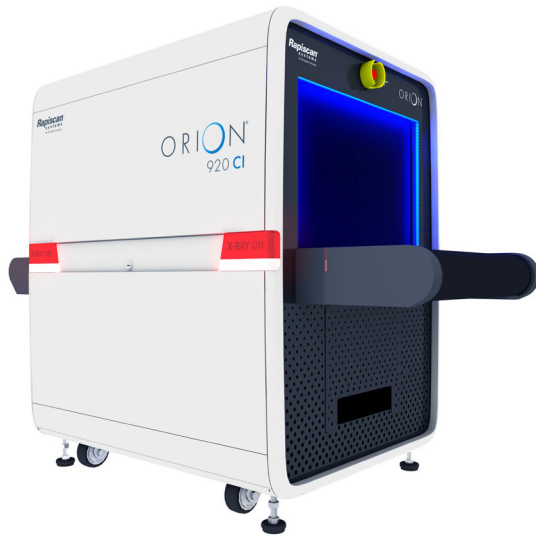


ORION 920 CI



The new 920CI is an ultra-compact 620mm x 420mm tunnel X-ray security screening system with superb image quality for high threat checkpoint locations including event security, prisons and government buildings.

INDUSTRY BEST WIRE & SPATIAL RESOLUTION

ULTRA-COMPACT, NARROWEST WIDTH & SHORTEST HEIGHT

LOW DENSITY IMAGE ENHANCEMENT

E.U CIVIL AVIATION COMPLIANT, U.K APPROVED



DUAL MODE Z_{EFF}

This feature helps operators identify organics accurately and quickly either in Range Mode which highlights the areas based on selected Z-effective numbers of 7, 8 or 9 by the operator, or in Interactive Mode which gives the operator the option to display the Z-effective number in all the areas of the scanned item based on the value of the pixel. Orion® family are the only systems in industry that can support both Range Mode and Interactive Mode.

EUROPEAN AVIATION COMPLIANCE

920CI performance is in full compliance with the mandatory regulations (EC) No. 300/2008, (EC) Implementing Regulation 1998/2015 and update 815/2017, EC Implementing Decision 8005/2015 and update 3030/2017 for aviation security in the European Union.

SPECTRUM 4-COLOR IMAGING

920CI now can exhibit images in the Classic 4-color and the new proprietary Spectrum 4-color (SP4) option providing superior image, allowing improved security by quick and accurate identification of threats and increase in throughput.

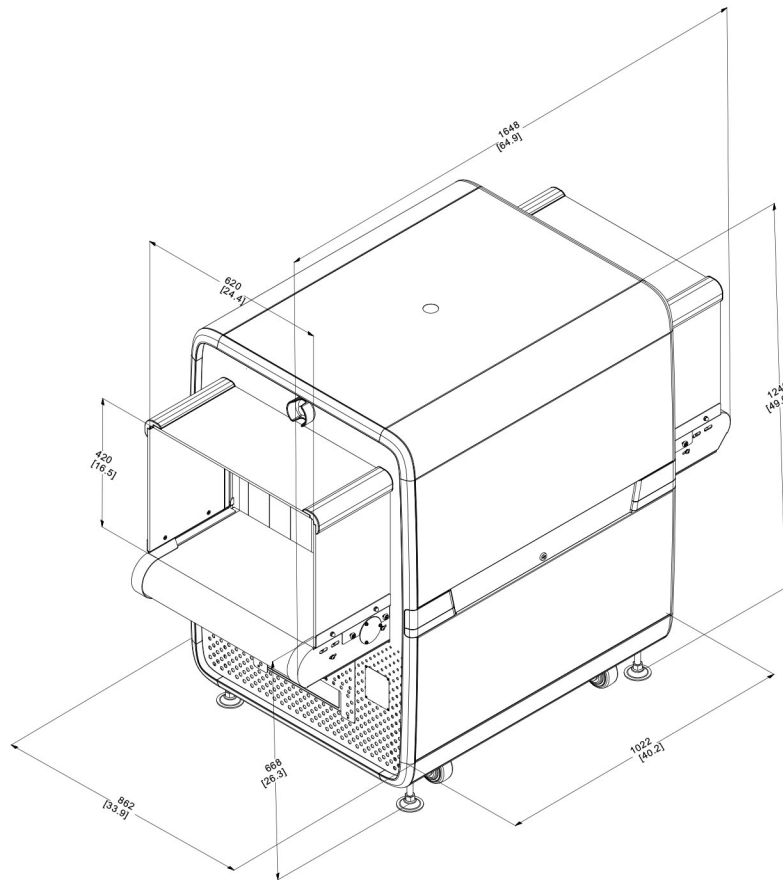


Toll Free
1-800-930-3766
www.securitydetection.com

ORION 920 CI



Dimensions are in mm[in]



PHYSICAL SPECIFICATIONS ¹

DIMENSIONS	L	1,650 mm (65.0 in)
	W	862 mm (33.9 in)
	H	1,245 mm (49.0 in)
TUNNEL SIZE	W	620 mm (24.4 in)
	H	420 mm (16.5 in)
CONVEYOR HEIGHT		668 mm (26.3 in.)
WEIGHT (NET)		394 Kg (869 lbs)

ENVIRONMENT & POWER

STORAGE TEMPERATURE	-20°C to 50°C
OPERATING TEMPERATURE	0°C to 40°C
RELATIVE HUMIDITY	5 to 95% non-condensing
SYSTEM POWER	110/230 VAC ±10%

PERFORMANCE ²

CONVEYOR SPEED ¹	0.20 m/sec (39.4 ft/min)
CONVEYOR LOAD ¹	165 Kg (364 lbs)
STEEL PENETRATION	30 mm standard
WIRE RESOLUTION	40 AWG standard

X-RAY GENERATOR

ANODE VOLTAGE	140kV
ORIENTATION	Diagonally Upward

GOVERNMENT REGULATORY

Regulation (EC) No. 300/2008 Compliant
Regulation (EU) No. 185/2010 Compliant
EU Commissions Decision C(2010) 774 Compliant
U.K Department for Transport (DfT) TIP Approved

KEY FEATURES AND OPTIONS

- Spectrum 4
- 17 Image processing functions
- SINERGY low density enhancement
- Dual Mode Z-effective
- CrystalClear™
- Automatic, Enhanced Image Archiving
- E.U. Approved Threat Image Projection
- Tray Return System Compatible
- 13 Languages
- 64-bit Operating System



Toll Free
1-800-930-3766
www.securitydetection.com