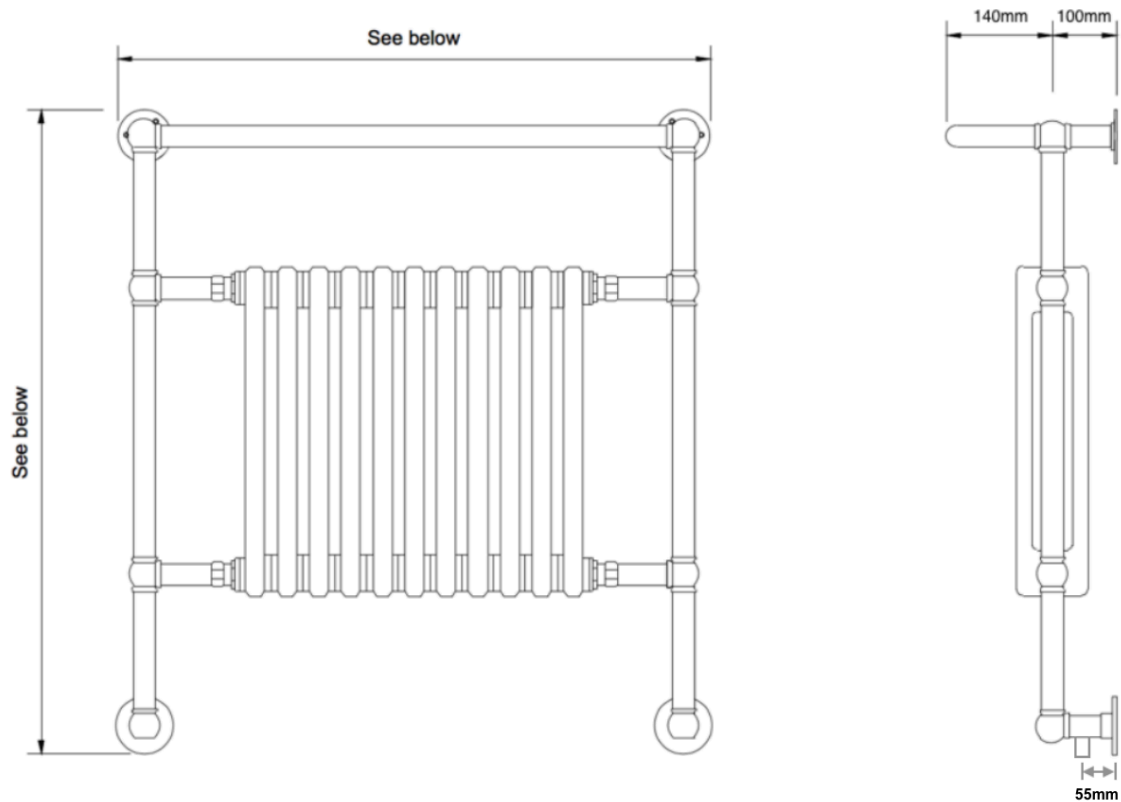


WILTON WALL MOUNTED



Test pressure: 8 BAR
Max. working pressure: 5 BAR
Max working temperature: 100°C
Material: 32mm DZR Brass.
Connections: ½ inch BSP tapping's
Joints: Hand silver soldered
Finish: Hand polished, plated to British Standards
Leak Tested: Twice

Heat output determined in accordance with EN 442

Manufactured by Rutland Radiators in Hampshire, England.

Wilton

Dimensions (mm) (HxWxD):	Pipe Centres (mm):	Pipe Centres from Wall (mm):	No. of Horizontal Bars:	BTU's:	Watts:
625 x 1000 x 240	925	55	1	2952	864
725 x 625 x 240	550	55	1	1952	572
789 x 500 x 240	425	55	1	1930	565
789 x 685 x 240	610	55	1	2132	624
789 x 837 x 240	762	55	1	2453	718

Please note, all designs can be adapted to individual requests, please call 01252 790464 to discuss your requirements with our design team.

Rutland London Limited: E: sales@rutland-radiators.co.uk Tel: 01252 790 464
www.rutland-radiators.co.uk

Rutland Radiators reserves the right to alter finishes and dimensions without prior notification.
Drawings and dimensions are supplied to a tolerance of +/- 3mm

Included:

12 x Brass plated screws

Valves and tails available from www.rutland-radiators.co.uk at an additional cost.

Cleaning Instructions:

Please ensure you visit the Rutland Radiators website prior to undertaking any cleaning of the towel warmer.

Always avoid chemicals and abrasive cloths/pads.

Installation:

We always advise that our products are installed by a competent and experienced professional or tradesperson.

This towel warmer can be supplied to fit:

- Central Heating Systems
- Dual Fuel Systems
- Electric only option

Please confirm with your installer/contractor that there is not a water softener on the system prior to installation.