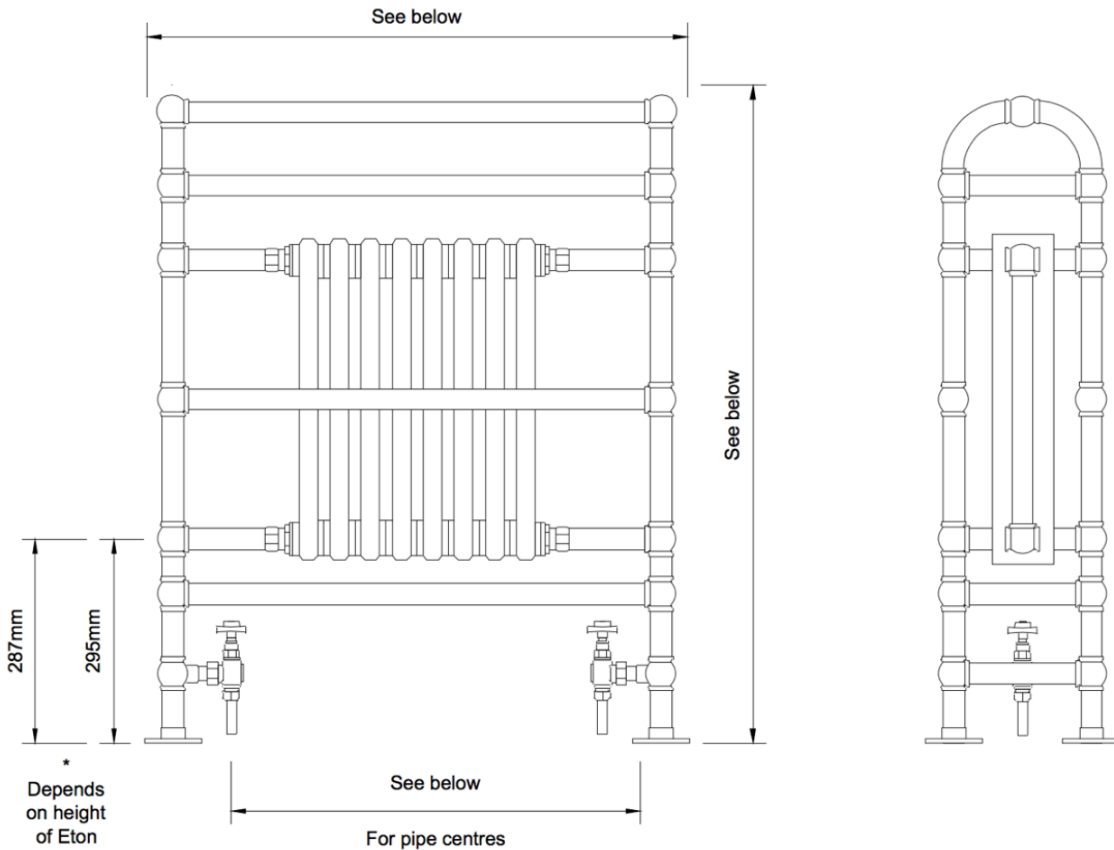


GROSVENOR FLOOR MOUNTED



Test pressure: 8 BAR

Max. working pressure: 5 BAR

Max working temperature: 100°C

Material: 32mm DZR Brass.

Connections: ½ inch BSP tapping's

Joints: Hand silver soldered

Finish: Hand polished, plated to British Standards

Leak Tested: Twice

Heat output determined in accordance with EN 442

Manufactured by Rutland Radiators in Hampshire, England.

Grosvenor

Dimensions (mm) (HxWxD):	Pipe Centres (mm):	Pipe Centres from Floor (mm):	No. of Horizontal Bars:	BTU's:	Watts:
775 x 685 x 275	455	100	2 X 3 (+1)	2150	630
775 x 837 x 275	607	100	2 X 3 (+1)	2691	777
950 x 685 x 275	455	100	2 X 3 (+1)	2571	753
950 x 837 x 275	607	100	2 X 3 (+1)	3074	900

Please note, all designs can be adapted to individual requests, please call 01252 790464 to discuss your requirements with our design team.

Rutland London Limited: E: sales@rutland-radiators.co.uk Tel: 01252 790 464
www.rutland-radiators.co.uk

Rutland Radiators reserves the right to alter finishes and dimensions without prior notification.
 Drawings and dimensions are supplied to a tolerance of +/- 3mm

Included:

12 x Brass plated screws

Valves and tails available from www.rutland-radiators.co.uk at an additional cost.

Cleaning Instructions:

Please ensure you visit the Rutland Radiators website prior to undertaking any cleaning of the towel warmer.

Always avoid chemicals and abrasive cloths/pads.

Installation:

We always advise that our products are installed by a competent and experienced professional or tradesperson.

This towel warmer can be supplied to fit:

- Central Heating Systems
- Dual Fuel Systems
- Electric only option

Please confirm with your installer/contractor that there is not a water softener on the system prior to installation.