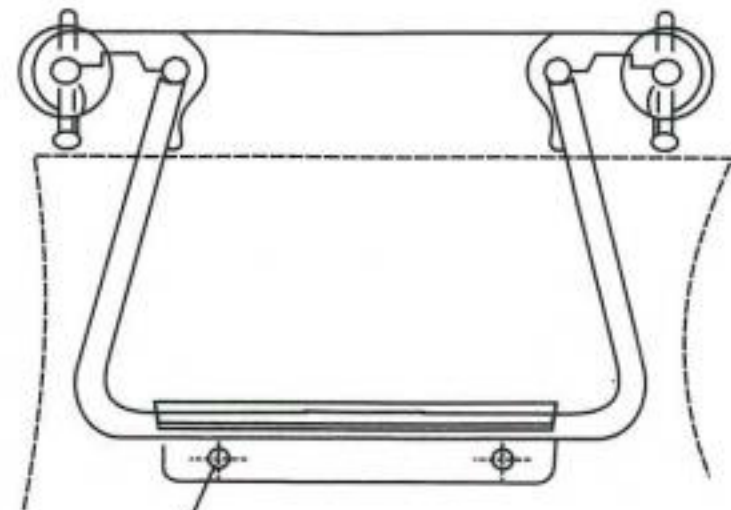
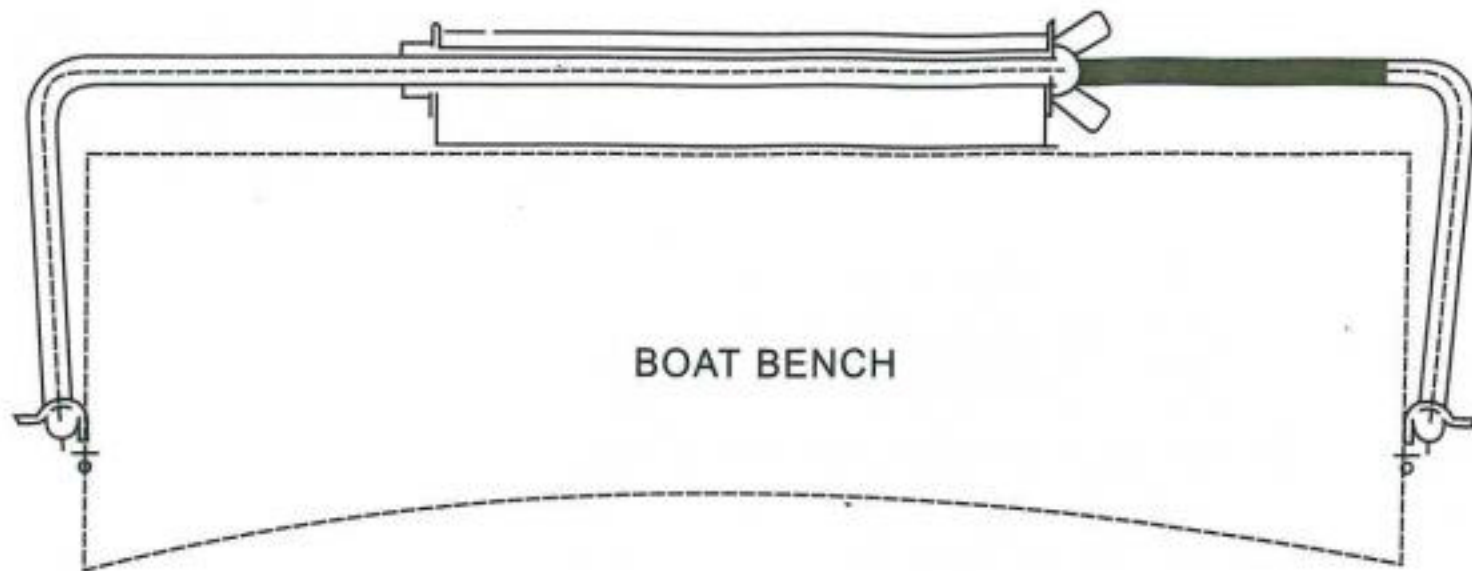


WARNING!

TO PREVENT INJURY SAFETY CLIP MUST BE
INSTALLED AS SHOWN IN THIS DIAGRAM.



INSTALL SAFETY CLIP ON BENCH
WITH (4) #12 SELF-TAPPING SCREWS

DRAWING NAME	SAFETY CLIP
DRAWING NO	WD14/WD80