

PRODUCT GUIDE



WISE
OUTDOORS

5613**SUPER SPORT SEAT**

Heavy Duty 10 Gallon Injection Molded Plastic Bucket
 Rated up to 400 lbs.
 Silent 360° Marine Swivel w/ Fold Down Seat
 Adjustable Shoulder Strap Carry System
 1" Thick, Premium Compression Foam Padding w/
 Camo Cordura Covering
 Height: 31" Width: 11" Depth: 12"

CASE PACK: 1

5 Yr Warranty on Frame & Hardware
 1 Yr Warranty on Upholstery

5613-246 CAMO PAD w/ BROWN BUCKET
5613-252 CAMO PAD w/ GREEN BUCKET



INSIDE VIEW

5613-252



5613-246

5615**PREMIUM DOVE / SPORT BUCKET**

Heavy Duty 5 Gallon Injection Molded Plastic Bucket
 Rated up to 300 lbs.
 Removable Insulated Foam Cooler
 Silent Swivel - 360° without Noise
 1" Thick, Premium Compression Foam Padding w/
 Camo Cordura Covering

CASE PACK: 1

5 Yr Warranty on Frame
 1 Yr Warranty on Upholstery

5615-246 CAMO PAD w/ BROWN BUCKET



INSIDE VIEW



5615-246

5612**BIG BOY DOVE / SPORT BUCKET**

Heavy Duty 10 Gallon Injection Molded Plastic Bucket
 Rated up to 400 lbs.
 Removable Insulated Foam Cooler
 Adjustable Shoulder Strap Carry System
 2" Thick, Premium Compression Foam Padding w/
 Camo Cordura Covering
 Height: 17" Width: 13" Depth: 12"

CASE PACK: 1

5 Yr Warranty on Frame
 1 Yr Warranty on Upholstery

5612-246 CAMO PAD w/ BROWN BUCKET
5612-252 CAMO PAD w/ GREEN BUCKET



5612-252



5612-246

5616**BIRD & BUCK STEALTH SEAT**

Fits Most 4, 5, or 6 Gallon Buckets
 Injection Molded Plastic Construction
 Silent Swivel - 360° without Noise
 1" Thick, Premium Compression Foam Padding
 w/ Camo Cordura Covering

CASE PACK: 4

5 Yr Warranty on Frame
 1 Yr Warranty on Upholstery

5616-126 CAMO PAD w/ BROWN LID



BOTTOM VIEW



SIDE VIEW



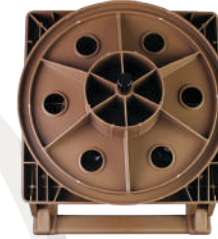
5616-126

WD2200**BUCKET SEAT 360**

Heavy Duty 5 Gallon Injection Molded Plastic Bucket
 w/ Reinforced Lid
 Folding Seat w/ Silent Swivel for 360° Rotation
 1" Thick, Premium Compression Foam Padding w/
 Camo Cordura Covering
 Removable Insulated Foam Cooler
 Height: 32.5" Width: 11" Depth: 12"

5 Yr Warranty on Frame & Hardware
 1 Yr Warranty on Upholstery

WD2200 CAMO PAD w/ BROWN BUCKET
WD2201 BROWN SEAT (NO PAD) w/ LID ONLY



BOTTOM VIEW



WD2201



WD2200

6100**PREMIUM BIG BOY SEAT**

Memory Foam Topper for Ultimate Comfort
 Adjustable Nylon Carry Strap w/ Side Release Buckle
 Marine Grade Vinyl Covering
 3" Thick, Premium Compression Foam Padding
 Height: 3" Width: 16" Depth: 14"

6100-1737 BREAK UP VINYL / BROWN
6100-1739 MAX 5 VINYL / BROWN



6100-1739



6100-1737

HUNTING SEATS

WD2100-1715



WD2100-1848

WD2100**TRIPOD 360 w/ TORSIA SEAT**

Tripod Base - Adjustable Legs from 13" to 20"
 Silent Swivel - 360° Rotation
 Includes Folding Torsa Seat - Trailhawk Edition (Upholstered
 Camo) or Injection Molded Shell Only
 Tripod Collapses to Fit Inside Backpacks - Weighs 5 lbs.
 5 Yr Warranty on Tripod
 3 Yr Warranty on Torsa Frame
 1 Yr Warranty on Upholstery

WD2100-1848 MAX 5 & CHARCOAL
WD2100-1715 BLACK SEAT SHELL

8WD112BP

CAMO CASTING SEAT

High Impact Injection Molded Plastic Seat Frame
 Compression Foam Padding
 500+ Denier Camo Cordura Covering
 Mounting Screws Included
 Height: 5.25" Width: 15" Depth: 11"
 Sitting Depth: 8.5"
 5 Yr Warranty on Frame
 1 Yr Warranty on Upholstery

8WD112BP-728
8WD112BP-730
8WD112BP-731
8WD112BP-733

SHADOWGRASS BLADES
 ORIGINAL BOTTOMLAND
 BREAK UP COUNTRY
 REALTREE MAX 5



8WD112BP-733



-728

-730

-731

8WD618PLS

CAMO LOW BACK

Aluminum No-Pinch Hinges
 High Impact Injection Molded Plastic Seat Frame
 Compression Foam Padding
 500+ Denier Camo Cordura Covering
 Mounting Screws Included
 Height: 18.75" Width: 15.75" Depth: 18.5"
 Sitting Depth: 14"
 5 Yr Warranty on Frame
 1 Yr Warranty on Upholstery

8WD618PLS-728
8WD618PLS-730
8WD618PLS-731
8WD618PLS-733

SHADOWGRASS BLADES
 ORIGINAL BOTTOMLAND
 BREAK UP COUNTRY
 REALTREE MAX 5



8WD618PLS-728



-730

-731

-733

8WD617PLS

CAMO HIGH BACK

Aluminum No-Pinch Hinges
 High Impact Injection Molded Plastic Seat Frame
 Compression Foam Padding
 500+ Denier Camo Cordura Covering
 Mounting Screws Included
 Height: 22" Width: 16.5" Depth: 18.5"
 Sitting Depth: 14.5"
 5 Yr Warranty on Frame
 1 Yr Warranty on Upholstery

8WD617PLS-728
8WD617PLS-730
8WD617PLS-731
8WD617PLS-733

SHADOWGRASS BLADES
 ORIGINAL BOTTOMLAND
 BREAK UP COUNTRY
 REALTREE MAX 5



8WD617PLS-731



-728

-730

-733

3312

SUPER VALUE CAMO LOW BACK

Injection Molded Plastic Seat Frame
 Compression Foam Padding
 500+ Denier Camo Cordura Covering
 Mounting Screws Included
 Height: 18" Width: 16" Depth: 16.25"
 Sitting Depth: 13.75"
 5 Yr Warranty on Frame
 1 Yr Warranty on Upholstery

3312-733 REALTREE MAX 5



3312-733

3057

CAMO BIG MAN SPORT

Heavy Duty Marine Grade Seat Frame
 OEM Grade XTR No-Pinch Hinges
 Compression Foam Padding
 500+ Denier Camo Cordura Covering
 Mounting Screws Included
 Height: 26" Width: 20.75" Depth: 22.75"
 Sitting Depth: 16.5"
 3 Yr Warranty on Frame
 1 Yr Warranty on Upholstery

3057-728
3057-730
3057-731
3057-733

SHADOWGRASS BLADES
 ORIGINAL BOTTOMLAND
 BREAK UP COUNTRY
 MAX 5



3057-731



-728

-730

-733

8WD139CLS

PLASTIC FOLD DOWN w/ CAMO PADS

High Impact Injection Molded Plastic Seat Frame
 Compression Foam Padding
 500+ Denier Camo Cordura Covering
 Mounting Screws Included
 Height: 15.75" Width: 20.25" Depth: 19.75"
 Sitting Depth: 15.5"
 3 Yr Warranty on Frame
 1 Yr Warranty on Upholstery

8WD139CLS-B-728
8WD139CLS-B-730
8WD139CLS-B-733
8WD139CLS-G-762

SHADOWGRASS BLADES / BROWN
 ORIGINAL BOTTOMLAND / BROWN
 MAX 5 / BROWN
 APG / GREEN



8WD139CLS-G-762



B-728

B-730

B-733

BOAT SEATS

3161

TORSA TRAILHAWK FOLD DOWN

Ergonomic Injection Molded Torsa Frame
 Compression Foam Padding
 500+ Denier Camo Cordura Covering w/
 Marine Grade Vinyl Accents
 Mounting Screws Included
 Height: 22" Width: 18" Depth: 18.75"
 Sitting Depth: 15.5"
 3 Yr Warranty on Frame
 1 Yr Warranty on Upholstery

3161-1848
3161-1885
3161-1886
3161-1887

MAX 5 / BLACK
 BREAK UP COUNTRY / BLACK
 SHADOWGRASS BLADES / BLACK
 ORIGINAL BOTTOMLAND / BLACK



-1848

-1885

-1887



3161-1886

3160

TORSA SCOUT FOLD DOWN

Ergonomic Injection Molded Torsa Frame
 Compression Foam Padding
 Marine Grade Vinyl Covering
 Mounting Screws Included
 Height: 22" Width: 18" Depth: 18.75"
 Sitting Depth: 15.5"
 3 Yr Warranty on Frame
 3 Yr Warranty on Upholstery

3160-1736
3160-1739

SHADOWGRASS
 REALTREE MAX 5



-1736



3160-1739



3140

TORSA HUNTER FOLD DOWN

Ergonomic Injection Molded Torsa Frame
Mounting Screws Included
Height: 22" Width: 18" Depth: 14"
Sitting Depth: 16"
3 Yr Warranty on Frame

3140-713
3140-717
3140-1715

GREEN SHELL
GREY SHELL
BLACK SHELL



8WD138LS-717

8WD138LS

PLASTIC FOLD DOWN

High Impact Injection Molded Plastic Seat Frame
Mounting Screws Included
Height: 15.75" Width: 20.25" Depth: 19.75"
Sitting Depth: 15.5"
3 Yr Warranty on Frame

8WD138LS-713
8WD138LS-717

GREEN SHELL
GREY SHELL



8WD140LS-713

8WD140LS

PLASTIC BUCKET

High Impact Injection Molded Plastic Seat Frame
Mounting Screws Included
Height: 16" Width: 17" Depth: 19"
Sitting Depth: 20"
3 Yr Warranty on Frame

8WD140LS-713
8WD140LS-717

GREEN SHELL
GREY SHELL



8WD139LS-940

8WD139LS

PLASTIC FOLD DOWN w/ PADS

High Impact Injection Molded Plastic Seat Frame
Compression Foam Padding
Marine Grade Vinyl Covering
Mounting Screws Included
Height: 15.75" Width: 20.25" Depth: 19.75"
Sitting Depth: 15.5"
3 Yr Warranty on Frame
3 Yr Warranty on Upholstery

8WD139LS-713
8WD139LS-717
8WD139LS-940

GREEN w/ GREEN SHELL
GREY w/ GREY SHELL
ODG w/ GREEN SHELL

BOAT SEATS



SIDE VIEW BOTTOM VIEW

5410

FOLDING CANOE SEAT

High Impact Injection Molded Plastic Seat Frame
Seat Padded w/ Closed Cell Foam
Aluminum Hook Bracket Secures Seat to Canoe
Height: 16" Width: 17" Depth: 19"
Sitting Depth: 15"
3 Yr Warranty on Frame

5410-940



MOUNTED TO
8WD139CLS

8WD1096-713

8WD1096

SEAT CADDY GEAR HOLDER

Ideal for Holding Fishing Gear and Drinks
Mounts to Wise 8WD138 and 8WD139 Seats
High Impact Injection Molded Plastic Construction
All Hardware Included
Height: 3" Width: 13.75" Depth: 6.25"
3 Yr Warranty on Frame

8WD1096-713
8WD1096-716
8WD1096-717

GREEN
BROWN
GREY

SPORT UTILITY DRY BOXES

Extra thick walls with co-polymer construction won't warp from weather exposure or rough handling
Molded in retainers allows for stacking multiple boxes
Hand laid gasket seals and protects the inside from moisture
Strong, reinforced steel pin hinge system never fails
Latching system w/ locking feature keeps gear safe and secure
True square inner walls allows gear to stack tight without shifting
Beefy carry handle stores within lid
5 year warranty

5601

SMALL UTILITY DRY BOX

Height: 6.5" Width: 7.75" Length: 15"
Inner Dimensions - H: 4.75" W: 6" L: 12"
Overall Open Height: 19.5"
Volume: 5.6 Liters

5601-13 OLIVE GREEN
5601-15 ALERT ORANGE
5601-40 WHITE

5602

TALL UTILITY DRY BOX

Height: 11.5" Width: 7.75" Length: 15"
Inner Dimensions - H: 9.75" W: 6" L: 12"
Overall Open Height: 22.5"
Volume: 12.4 Liters

5602-13 OLIVE GREEN
5602-15 ALERT ORANGE
5602-40 WHITE

5604

LARGE UTILITY DRY BOX

Height: 9.75" Width: 8.5" Length: 15"
Inner Dimensions - H: 7.5" W: 7.75" L: 13"
Overall Open Height: 24.75"
Volume: 11.5 Liters

5604-13 OLIVE GREEN
5604-15 ALERT ORANGE



5601-13

5601-40

5601-15



5602-13

5602-40

5602-15

TREY VIEW

5604-13

5604-15

PREMIUM COOLER CUSHIONS

Converts cooler into the perfect seat for hunting, fishing, & more
500+ Denier Cordura (camo) or marine-grade vinyl (white) cover
Compression foam padding
Snap-on mount: Stainless steel button snaps included
Sizes based on Yeti® lid dimensions, may be compatible with other brand coolers
3 year warranty on vinyl upholstery
1 year warranty on Cordura upholstery

YETI TUNDRA® STYLE COOLER CUSHION

35 qt - Height: 3" Length: 21" Width: 16"
45 qt - Height: 3" Length: 25" Width: 16"
65 qt - Height: 3" Length: 30" Width: 17"
75 qt - Height: 3" Length: 33" Width: 18"

YETI ROADIE® STYLE COOLER CUSHION

20 qt - Height: 2" Length: 19" Width: 13"

WHITE

8WD1502 20 quart
8WD1503 35 quart
8WD1504 45 quart
8WD1506 65 quart
8WD1507 75 quart

CAMO

8WD1512 20 quart
8WD1513 35 quart
8WD1514 45 quart
8WD1516 65 quart
8WD1517 75 quart

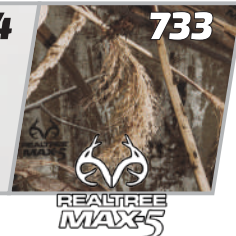


WHITE CUSHION w/ COOLER

MAX 5 CUSHION w/ COOLER

784

733



SEAT & BENCH COMBOS

WD308

48" FOLD DOWN BENCH SEAT

Powder Coated OEM Grade No-Pinch Hinges
Marine Grade Seat Frame
Compression Foam Padding
500+ Denier Camo Cordura Covering
Height: 23.5" Width: 48" Depth: 23.5"
3 Yr Warranty on Seat Frame / Hardware
1 Yr Warranty on Upholstery

WD308-730 ORIGINAL BOTTOMLAND
WD308-733 REALTREE MAX 5

WD308FLD

48" BENCH SEAT w/ FOLDING STAND

Adds WD10294 Folding Seat Stand
Great Portable Seating Option for Blinds & More
Overall Height: 37" Width: 48" Depth: 23.5"
3 Yr Warranty on Seat Frame / Hardware
1 Yr Warranty on Upholstery

WD308-730FLD ORIGINAL BOTTOMLAND
WD308-733FLD REALTREE MAX 5

WD309

42" FOLD DOWN BENCH SEAT

Powder Coated OEM Grade No-Pinch Hinges
Marine Grade Seat Frame
Compression Foam Padding
500+ Denier Camo Cordura Covering
Height: 23.5" Width: 42" Depth: 23.5"
3 Yr Warranty on Seat Frame / Hardware
1 Yr Warranty on Upholstery

WD309-730 ORIGINAL BOTTOMLAND
WD309-733 REALTREE MAX 5

WD309FLD

42" BENCH SEAT w/ FOLDING STAND

Adds WD10294 Folding Seat Stand
Great Portable Seating Option for Blinds & More
Overall Height: 37" Width: 42" Depth: 23.5"
3 Yr Warranty on Seat Frame / Hardware
1 Yr Warranty on Upholstery

WD309-730FLD ORIGINAL BOTTOMLAND
WD309-733FLD REALTREE MAX 5



WD308-733



FOLDED VIEW



WD308-730FLD



WD309-730



FOLDED VIEW



WD309-733FLD

8WD302

PLASTIC FOLD DOWN w/ STAND

Bundle includes:
8WD139CLS Seat
8WD1234 Fixed Stand
8WD10 Swivel
Overall Height: 29.5" Width: 20.25" Depth: 18.5"
3 Yr Warranty on Seat Frame / Stand
1 Yr Warranty on Upholstery

8WD302-728 SHADOWGRASS BLADES
8WD302-730 ORIGINAL BOTTOMLAND
8WD302-733 REALTREE MAX 5
8WD302-762 APG



-728

-730

-762



WD302-733

8WD304

HIGH BACK SEAT w/ STAND

Bundle includes:
8WD617PLS Seat
8WD1234 Fixed Stand
8WD10 Swivel
Overall Height: 35.75" Width: 20.25" Depth: 18.5"
3 Yr Warranty on Seat Frame / Stand
1 Yr Warranty on Upholstery

8WD304-728 SHADOWGRASS BLADES
8WD304-730 ORIGINAL BOTTOMLAND
8WD304-731 BREAK UP COUNTRY
8WD304-733 REALTREE MAX 5



-728

-730

-733



WD304-731

WD303

PLASTIC BUCKET w/ STAND

Bundle includes:
8WD140LS Seat
8WD1234 Fixed Stand
8WD10 Swivel
Overall Height: 29.75" Width: 20.25" Depth: 18.5"
3 Yr Warranty on Seat Frame / Stand

WD303-713 GREEN SHELL
WD303-717 GREY SHELL



-717



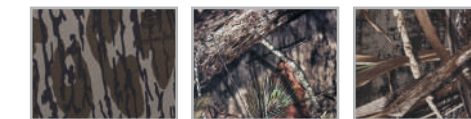
WD303-713

8WD305

LOW BACK SEAT w/ STAND

Bundle includes:
8WD618PLS Seat
8WD1234 Fixed Stand
8WD10 Swivel
Overall Height: 32.75" Width: 20.25" Depth: 18.5"
3 Yr Warranty on Seat Frame / Stand
1 Yr Warranty on Upholstery

8WD305-728 SHADOWGRASS BLADES
8WD305-730 ORIGINAL BOTTOMLAND
8WD305-731 BREAK UP COUNTRY
8WD305-733 REALTREE MAX 5



-730

-731

-733



WD305-728

5613-GK

SUPER SPORT SEAT

Heavy Duty 10 Gallon Injection Molded Plastic Bucket
 Rated up to 400 lbs.
 Silent 360° Marine Swivel w/ Fold Down Seat
 Adjustable Shoulder Strap Carry System
 1" Thick, Premium Compression Foam Padding w/
 Camo Cordura Covering
 Height: 31" Width: 11" Depth: 12"
CASE PACK: 1



5613-GK



INSIDE VIEW

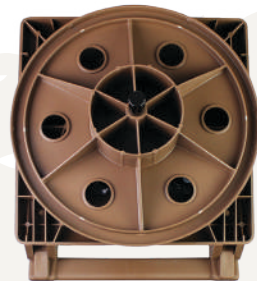


WD2200-GK

WD2200-GK

BUCKET SEAT 360

Heavy Duty 5 Gallon Injection Molded Plastic Bucket
 w/ Reinforced Lid
 Folding Seat w/ Silent Swivel for 360° Rotation
 1" Thick, Premium Compression Foam Padding w/
 Camo Cordura Covering
 Removable Insulated Foam Cooler
 Height: 32.5" Width: 11" Depth: 12"



BOTTOM VIEW

GAMEKEEPER BUCKETS



Wise Outdoors has teamed up with Mossy Oak to offer our best selling sport buckets in a Gamekeeper Edition. For every bucket sold, a percentage of sales goes towards Mossy Oak's ongoing efforts of promoting land resource and wildlife preservation.

Each licensed Gamekeeper item features the classic pattern, Original Bottomland with a full color, high-res Gamekeeper decal.

5 YEAR WARRANTY ON FRAME & HARDWARE / 1 YEAR WARRANTY ON UPHOLSTERY

5615-GK

PREMIUM DOVE / SPORT BUCKET

Heavy Duty 5 Gallon Injection Molded Plastic Bucket
 Rated up to 300 lbs.
 Removable Insulated Foam Cooler
 Silent Swivel - 360° without Noise
 1" Thick, Premium Compression Foam Padding w/
 Camo Cordura Covering
CASE PACK: 1



INSIDE VIEW



5615-GK

3332

ICE CAGE 105 QT COOLER

Outer Dimensions - H: 18.25" W: 38.5" D: 19.75"
 Inner Dimensions - H: 13.5" W: 33.5" D: 15"
 Empty Weight - 44 lbs
 USB rechargeable LED light bar illuminates cooler contents w/ 5 brightness settings - auto shut off w/ closed lid
 25 Gallon capacity
 Holds 80 cans - 2:1 lbs of ice to can ratio
 Holds 125 lbs of ice when filled with ice only
5 Year Warranty on Cooler
1 Year Warranty on Light Bar
3332-T TAN COOLER
3332-W WHITE COOLER



3332-1785



OPEN VIEW

3333

ICE CAGE COOLER CUSHION

H: 4" W: 35.75" D: 19.5"
 Marine-grade vinyl cover w/ embossed & top stitch accents
 4" of premium, high compression foam maximizes comfort
 DIY install w/ provided self-tapping button snap studs
 Mesh underside lining expels moisture build up between cooler and cushion
3 Year Warranty on Upholstery
3333-1785 MAX 5 / BLACK COOLER CUSHION
3333-1784 MYSTIC WHITE COOLER CUSHION



3333-1785

WATERPROOF CASING HOUSES
 USB RECHARGEABLE BATTERY



3331

ICE CAGE 105 QT COOLER w/ CUSHION

H: 22.25" W: 38.5" D: 19.5"
 Pre-mounted 4" thick, snap on cooler cushion
 LED light bar
5 Year Warranty on Cooler
3 Year Warranty on Upholstery
1 Year Warranty on Light Bar
3331-1785 TAN COOLER w/ MAX 5/BLACK CUSHION
3331-1784 WHITE COOLER w/ MYSTIC WHITE CUSHION



3331-1784
WHITE COOLER w/ CUSHION



3331-1785

HARDWARE & ACCESSORIES

3 Year Warranty on Hardware



8WD1234

SINGLE SEAT STAND

Black Powder Coated 14 Gauge Tubular Steel
5 1/4" Hole Pattern - Requires Seat Swivel
H: 13" W: 19.25" D: 18.25"
Rubber Foot Caps Included
350 lb Weight Capacity

8WD1174

SEAT STAND w/ QUICK DISCONNECT

Adds Pre-mounted 8WD17 Bracket
Height w/ Bracket: 14.25"
Rubber Foot Caps Included
350 lb Weight Capacity



WD2101-1

TRIPOD 360 STAND

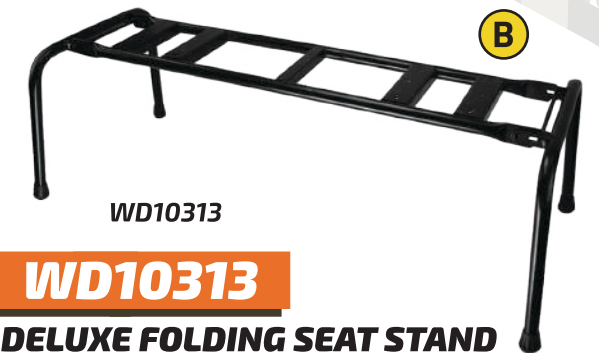
Black Powder Coated Steel Assembly
Adjustable Legs Adapt to Any Terrain
Silent Swivel w/ 360° Rotation
Includes WD2102 Mounting Plate
Includes Drawstring Back Sac
Height Range: 16" to 24"



8WD1280

DOUBLE SEAT STAND

Black Powder Coated 14 Gauge Tubular Steel
5 1/4" Hole Pattern - Requires Seat Swivel
H: 12.875" W: 44" D: 18.25"
Rubber Foot Caps Included
350 lb Weight Capacity



WD10313

DELUXE FOLDING SEAT STAND

Black Powder Coated 14 Gauge Tubular Steel
5 1/4" Hole Pattern - Requires Seat Swivels
H: 13.5" W: 44" D: 19.5"
Ideal for Mounting (2) Boat Seats
Rubber Foot Caps Included
350 lb Weight Capacity



WD10294

FOLDING BENCH STAND

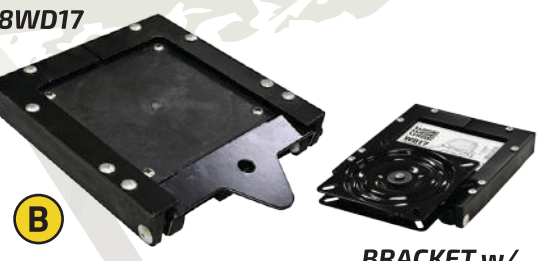
Black Powder Coated 14 Gauge Tubular Steel
H: 13.5" W: 42" D: 19.5"
Ideal for Bench Seat Mounting (42" to 48")
Rubber Foot Caps Included
350 lb Weight Capacity



8WD10

6" BALL BEARING SWIVEL

Black Powder Coated Steel Construction
Allows for Silent 360° Rotation
5 1/4" Hole Pattern Fits Most Seats



8WD17

QUICK DISCONNECT BRACKET

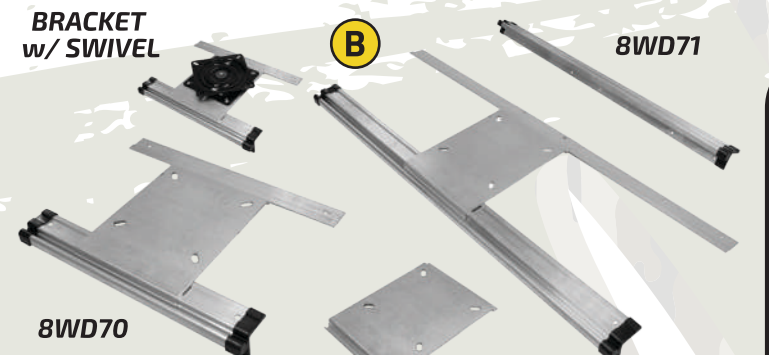
Allows for Easy, Fast Release of Seats w/ 6" Swivel
Durable Injection Molded Plastic Housing
External Steel Rail Frame, Stainless Steel Spring
Mounts to Flat Surfaces, Pedestals & Seat Stands



8WD15

12 WAY LOCKING SWIVEL

Black Powder Coated Steel Construction
360° Rotation
12 Locking Positions w/ Handle Release
5 1/4" Hole Pattern Fits Most Seats



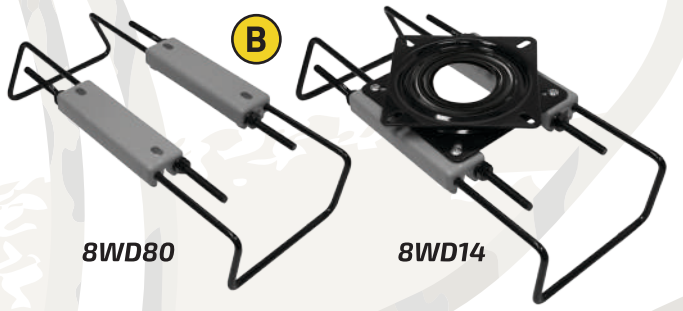
8WD70

15" SURE MOUNT BRACKET KIT

8WD73

33" SURE MOUNT BRACKET KIT

Extruded Aluminum Construction
Allows Seat to Slide from Side to Side
L-Bracket Mounts to Edge of Seat Tank
Center Bracket Mounts to Seat Bottom or Swivel
8WD71 33" SLIDE BRACKET RAIL ONLY
8WD72 CENTER BRACKET ONLY



8WD80

BOAT SEAT CLAMP

Mounts on Flat Surfaces from 8" to 20.5" Wide
Coated Steel Bar Frame Bars & Mounting Brackets
Injection Molded Plastic Housing
5 1/4" Hole Pattern Fits Most Seats

8WD14

BOAT SEAT CLAMP w/ SWIVEL

Includes Seat Swivel

ABYC SAFETY STANDARDS

Effective September 1, 1996, the American Boat and Yacht Council (ABYC) recommends that new seating standards go into effect. These standards help classify pedestal applications into separate categories.

CLASS A

Seat designed for occupancy while the boat is under way at any speed.

CLASS B

Seat designed for occupancy only at boat speeds not exceeding five miles per hour.

Within each of these classifications all pedestals must pass a series of tests (horizontal and vertical impacts, torque and static load tests). There are also two types of Class A seats.

CLASS A PASSENGER

Seat mount must resist 30 foot pounds of torque.

CLASS A DRIVER

Seat mount must incorporate a "mechanical interference lock" and resist 150 foot pounds of torque.

In an effort to help you understand how our product complies with the new regulations, we have assigned the following labels to identify them:



CLASS B

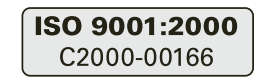


CLASS A PASSENGER



CLASS A DRIVER

Please look for these labels throughout the catalog.



UNLIMITED WARRANTY 12 MONTH

The Wise Company, Inc. warrants that each new seat and all accessories and equipment (except upholstery material) supplied by the Wise Company is free from defects (to be determined by exclusively by the Wise Company) in material or workmanship to the original purchaser:

Cordura Fabric Upholstery: 1 year
Vinyl Upholstery: 3 years
All Hardware Items: 3 years

Boat Seat Frames: 5 years
Torsa Seat Frames: 3 years
Utility Dry Boxes: Lifetime Warranty

The Wise Company, Inc. will replace from its factory, or at its option, repair any parts which, in the opinion of the manufacturer, have failed or worn as stated previously.

The seat or any accessory/equipment has been altered, modified, changed or reworked in a manner not previously authorized by the Wise Company.
The seat has been subjected to abuse, neglect or accident.
The seat is installed in a manner that would subject the seat to abnormal use.
Damage to covers caused by cuts, burns, or abuse.

The Wise Company, Inc. makes no other express warranty and offers no remedy except herein described. The Wise Company, Inc. disclaims any liabilities for incidental or consequential damages resulting from breach of any express or implied warranty with respect to the Wise Company seating product covered by this warranty. All other warranties express, implied or statutory including implied warranties of fitness for a particular purpose are limited to the period of this warranty.

Some states do not allow the exclusion or limitation of incidental or consequential damages. So the above limitation or exclusion may not apply to you. This warranty gives you specific legal rights and you may also have other rights, which vary from state to state.

Failure to give prompt, written notice within thirty (30) days of the discover of any defect in material or workmanship which occurs within the warranty period will void this warranty.

Wise products are designed for recreational use only, all warranties void if used for commercial purposes.

Send such notification to:

The Wise Company, Inc
79 South Second St
Memphis, TN 38103
1-800-251-2622



*The Wise Company, Inc.
79 South 2nd St
Memphis, TN 38103
800-251-2622*

www.wiseoutdoors.com